




# Installation Instructions

Bulletin 194U

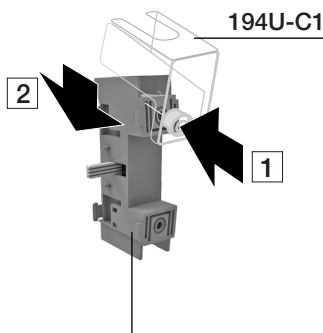
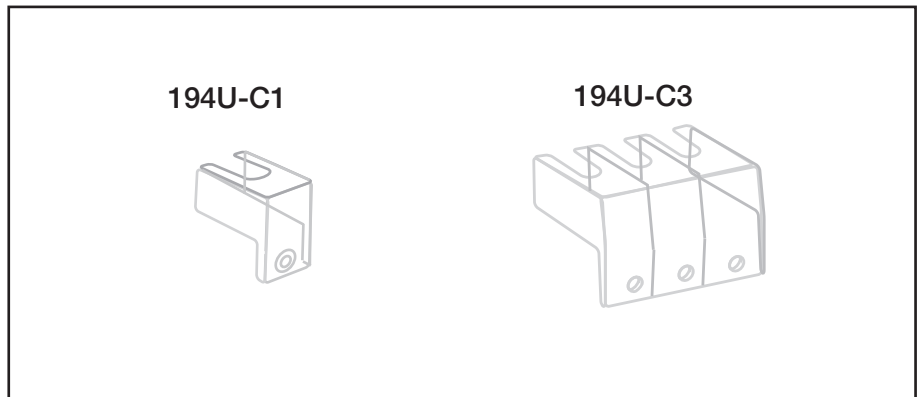


**Terminal Shrouds**  
**Klemmenabdeckungen**  
**Cache bornes**  
**Calotte copriterminali**  
**Cubiertas para terminales**  
**Кожухи клемм**  
**接线盒护罩**

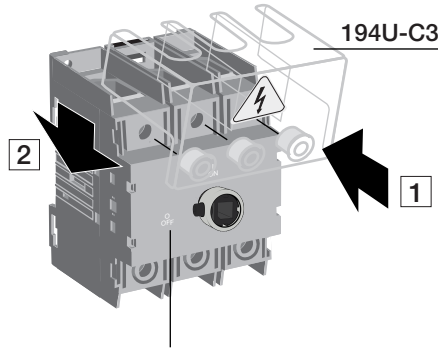
(Cat 194U-C1, 194U-C3, 194U-160-C3, 194U-160-C4)

-  **WARNING:** To prevent electrical shock, disconnect from power source before installing or servicing. Install in suitable enclosure. Keep free from contaminants.
-  **WARNUNG:** Vor Installations- oder Servicearbeiten Stromversorgung unterbrechen, um Unfälle zu vermeiden. Die Geräte müssen in einem passenden Gehäuse eingebaut und gegen Verschmutzung geschützt werden.
-  **AVERTISSEMENT:** Avant le montage et la mise en service, couper l'alimentation secteur afin d'éviter tout accident. Prévoir une mise en coffret ou armoire appropriée. Protéger le produit contre les environnements agressifs.
- AVVERTENZA:** Per prevenire infortuni, togliere tensione prima dell'installazione o manutenzione. Installare in custodia idonea. Tenere lontano da contaminanti.
- ADVERTENCIA:** Desconectar la alimentación eléctrica antes de realizar el montaje y la puesta en servicio, con el objeto de evitar accidentes. Instalado en una caja o armari apropiado. Proteger el producto de los ambientes agresivos.
- ПРЕДУПРЕЖДЕНИЕ:** Во избежание поражения электрическим током, отсоединить от источника питания перед установкой или обслуживанием. Устанавливать в соответствующем корпусе. Предохранять от загрязнений.
- 警告：为了防止触电，在安装或维修之前必须先切断电源，安装在合适的设备箱内，防止接触污染物。

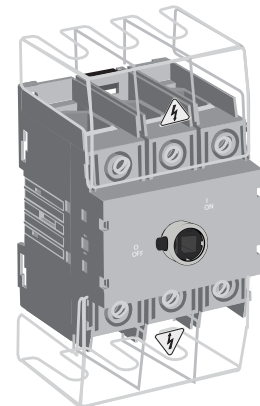
 Product of Finland

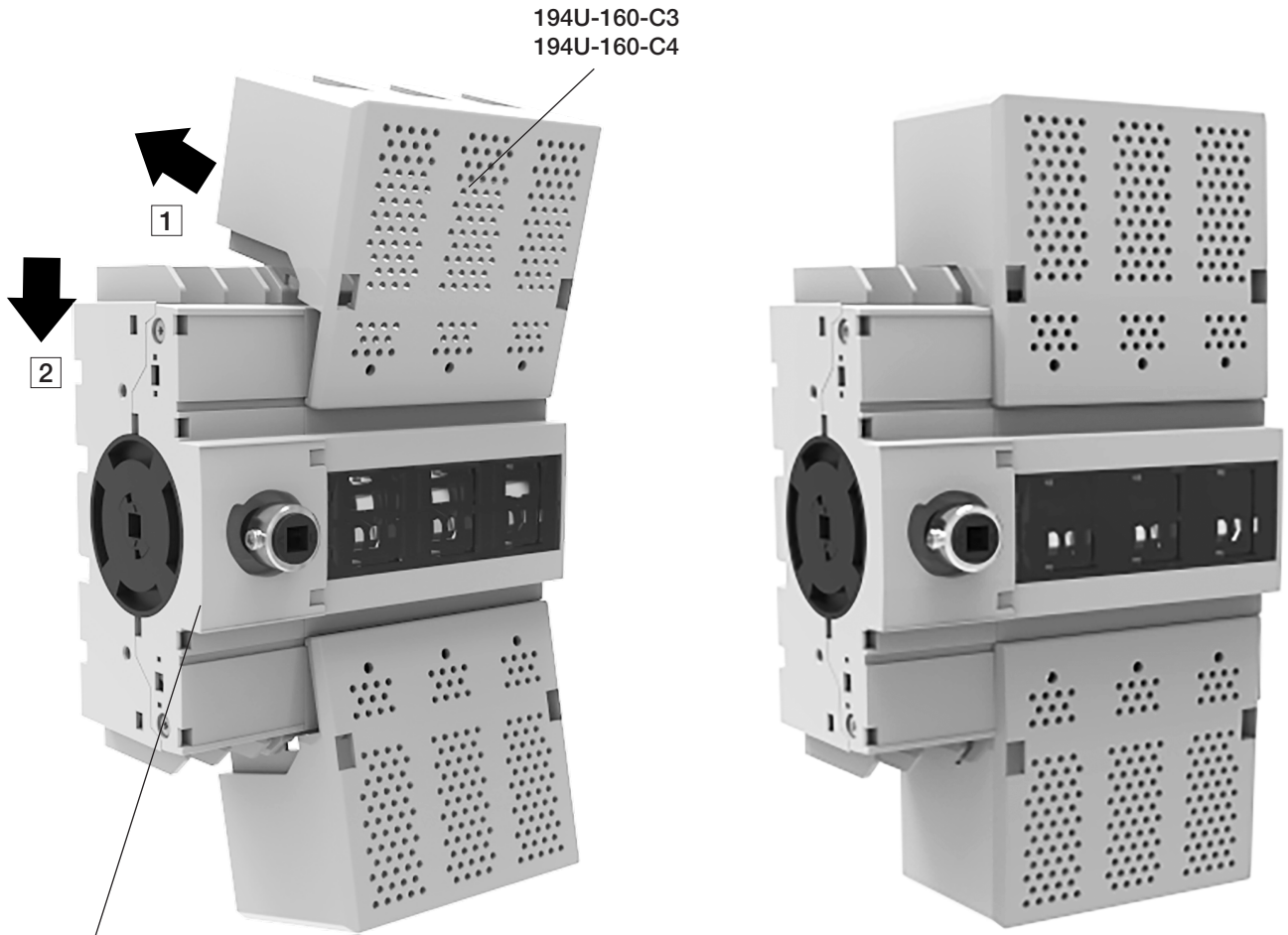
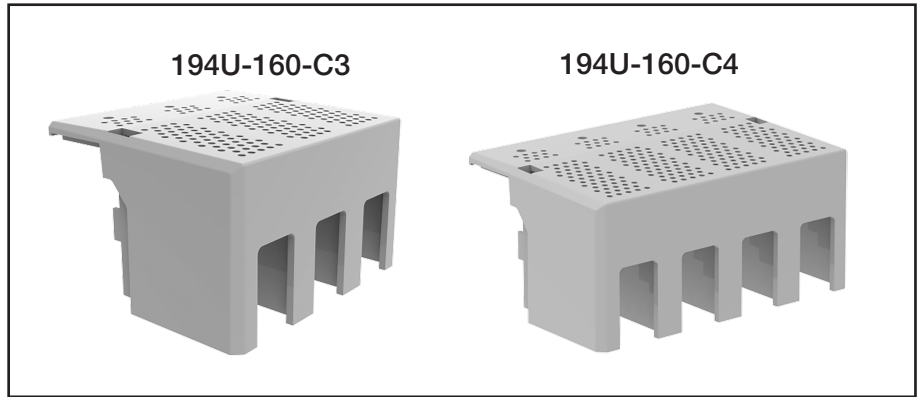


For use with:  
194U-A60-PE  
194U-A100-PE  
194U-A100-FP  
194U-E60-PE  
194U-E100-PE  
194U-E100-FP



For use with:  
194U-A30-1753  
194U-A60-1753  
194U-A100-1753  
194U-E30-1753  
194U-E60-1753  
194U-E100-1753





For use with:  
194U-A160-1753  
194U-A160-1754  
194U-E160-1753  
194U-E160-1754

Rockwell Automation maintains current product environmental information on its website at <http://www.rockwellautomation.com/rockwellautomation/about-us/sustainability-ethics/product-environmental-compliance.page>.

Allen-Bradley, Rockwell Software, and Rockwell Automation are trademarks of Rockwell Automation, Inc.  
Trademarks not belonging to Rockwell Automation are property of their respective companies.

[www.rockwellautomation.com](http://www.rockwellautomation.com)

**Power, Control and Information Solutions Headquarters**

Americas: Rockwell Automation, 1201 South Second Street, Milwaukee, WI 53204-2496 USA, Tel: (1) 414.382.2000, Fax: (1) 414.382.4444

Europe/Middle East/Africa: Rockwell Automation NV, Pegasus Park, De Kleetlaan 12a, 1831 Diegem, Belgium, Tel: (32) 2 663 0600, Fax: (32) 2 663 0640

Asia Pacific: Rockwell Automation, Level 14, Core F, Cyberport 3, 100 Cyberport Road, Hong Kong, Tel: (852) 2887 4788, Fax: (852) 2508 1846

DIR 10002571204 (Version 01)

Copyright © 2016 Rockwell Automation, Inc. All Rights Reserved. Printed in Finland.