

Installation Instructions

Bulletin 194U



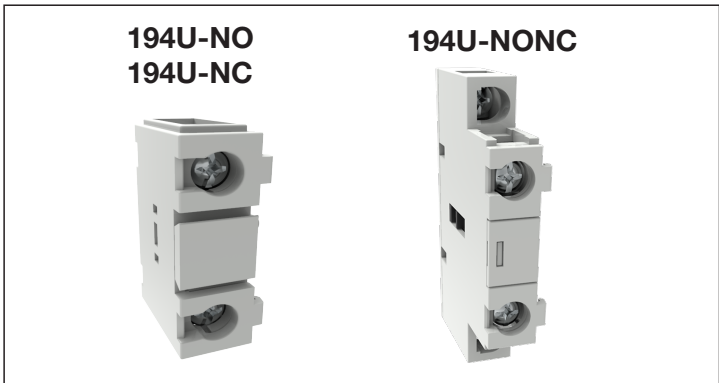
Disconnect Auxiliary Contacts
Trennschalter-Hilfskontakte
Contacts auxiliaires de déconnexion
Contatti ausiliari sezionatore
Contactos auxiliares de seccionador
Вспомогательные контакты разъединителя
绝缘端子辅助接触器

(Cat 194U-NO, 194U-NC, 194U-NONC)

- WARNING:** To prevent electrical shock, disconnect from power source before installing or servicing. Install in suitable enclosure. Keep free from contaminants.
- WARNUNG:** Vor Installations- oder Servicearbeiten Stromversorgung unterbrechen, um Unfälle zu vermeiden. Die Geräte müssen in einem passenden Gehäuse eingebaut und gegen Verschmutzung geschützt werden.
- AVERTISSEMENT:** Avant le montage et la mise en service, couper l'alimentation secteur afin d'éviter tout accident. Prévoir une mise en coffret ou armoire appropriée. Protéger le produit contre les environnements agressifs.
- AVVERTENZA:** Per prevenire infortuni, togliere tensione prima dell'installazione o manutenzione. Installare in custodia idonea. Tenere lontano da contaminanti.
- ADVERTENCIA:** Desconectar la alimentación eléctrica antes de realizar el montaje y la puesta en servicio, con el objeto de evitar accidentes. Instalado en una caja o armari apropiado. Proteger el producto de los ambientes agresivos.
- ПРЕДУПРЕЖДЕНИЕ:** Во избежание поражения электрическим током, отсоединить от источника питания перед установкой или обслуживанием. Устанавливать в соответствующем корпусе. Предохранять от загрязнений.
- 警告:** 为了防止触电，在安装或维修之前必须先切断电源，安装在合适的设备箱内，防止接触污染物。

CE EN 60947-5-1
 UL 508
 Product of Bulgaria

At the end of its life, this equipment should be collected separately from any unsorted municipal waste.



mm

2 x 0.75 - 2.5 mm²
2 x 18 - 14 AWG

21, 37, 11, 13

POZIDRIVE M3.5 Form 2

0.8 Nm (7 lb-in)

23, 36, 54, 8.75

POZIDRIVE M3.5 Form 2

0.8 Nm (7 lb-in)

2 x 0.75...2.5 mm²
2 x 18...14AWG

POZIDRIVE M3.5 Form 2

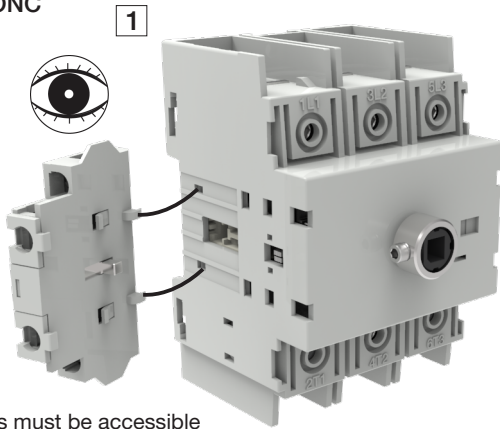
0.8 Nm (7 lb-in)

Auxiliary contact table

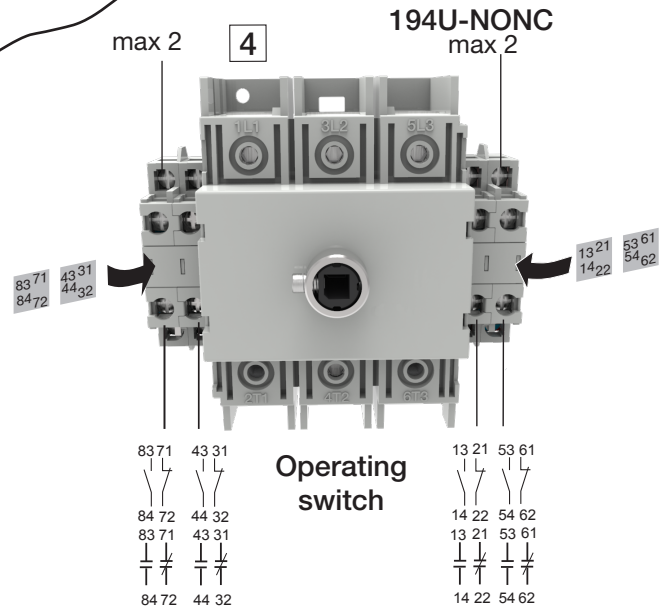
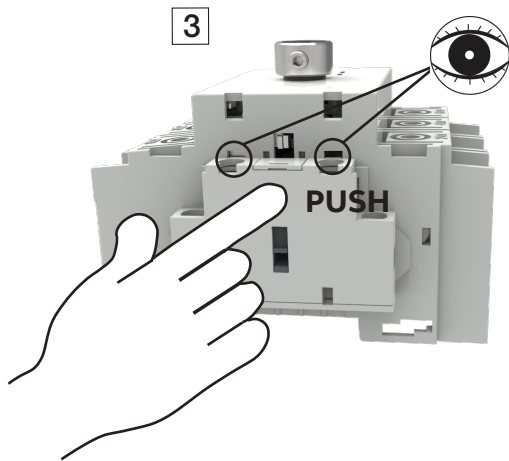
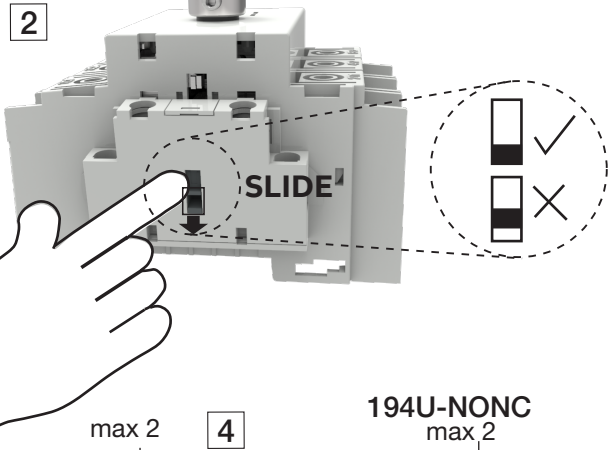
0	1	0	Test	0
Main contact				
Test contact (NO)				
Test contact (NC)				

Screws must be accessible when installed

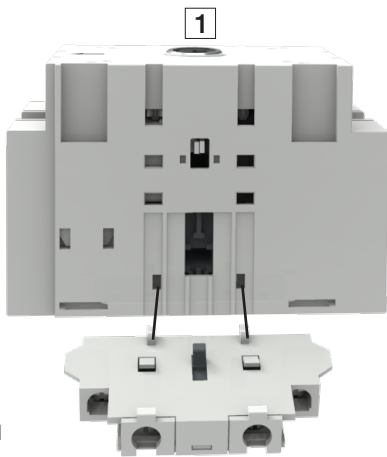
**BASE
194U-NONC**



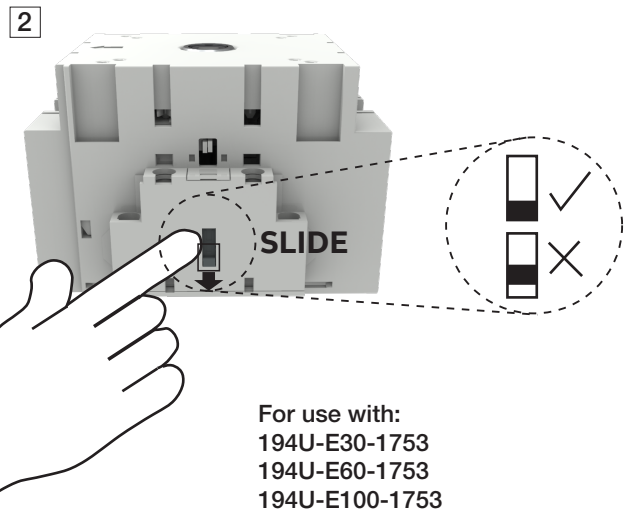
Screws must be accessible when installed



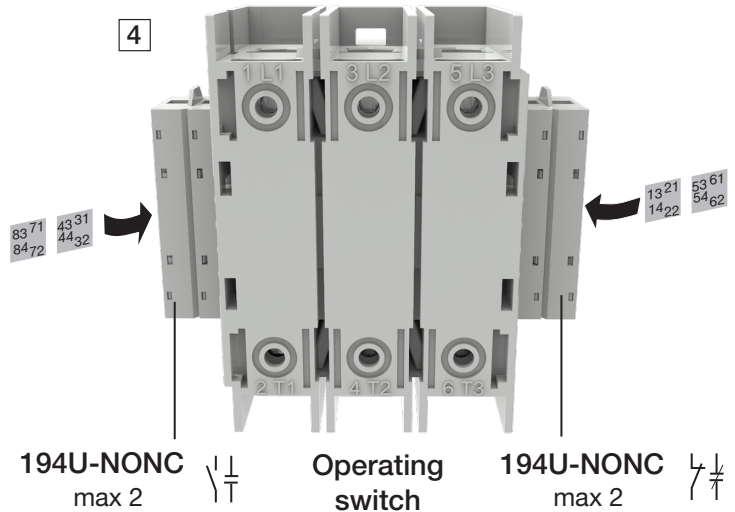
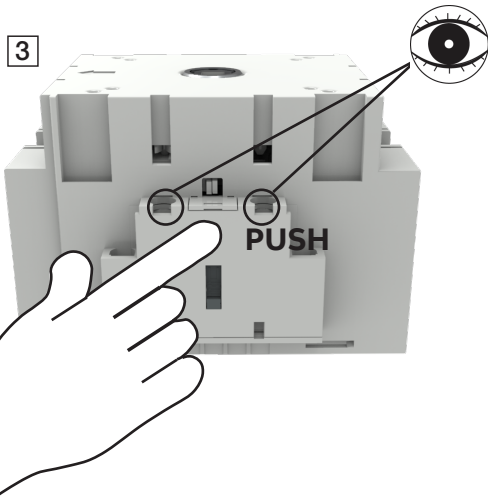
**DOOR
194U-NONC**



Screws must be accessible when installed



For use with:
194U-E30-1753
194U-E60-1753
194U-E100-1753

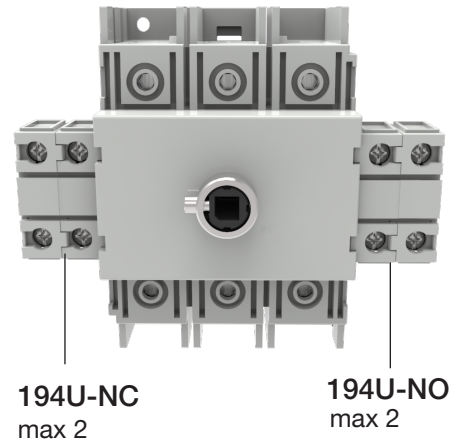
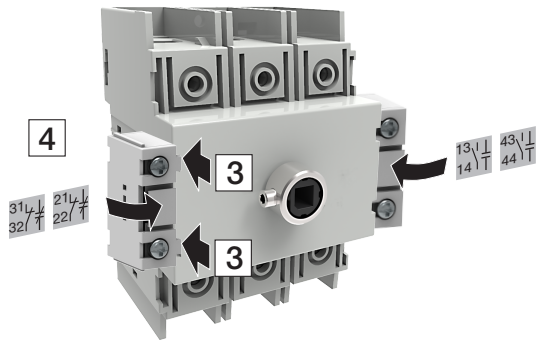
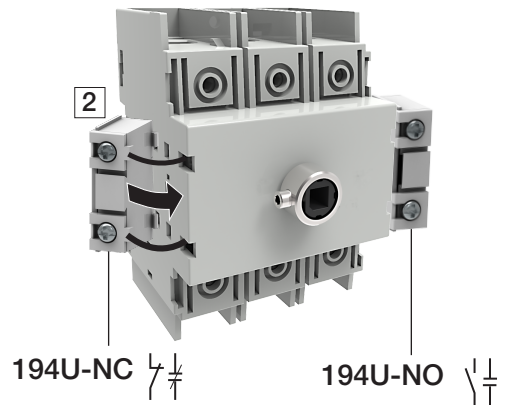
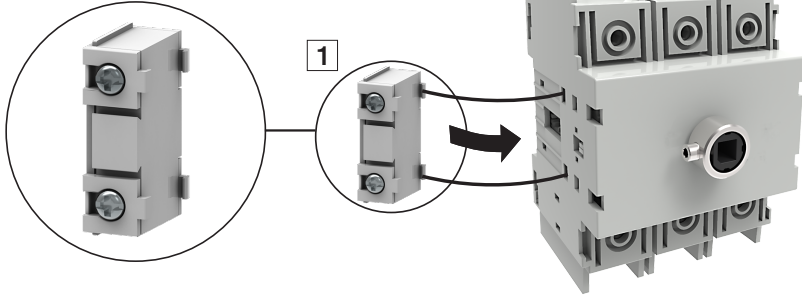


194U-NO, 194U-NC

Screws must be accessible when installed



For use with:
 194U-A30-1753
 194U-A60-1753
 194U-A100-1753

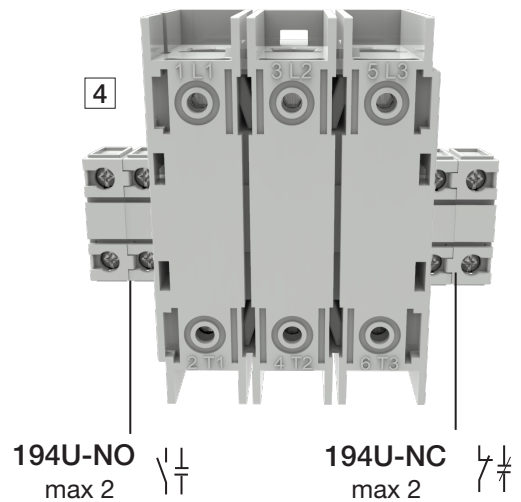
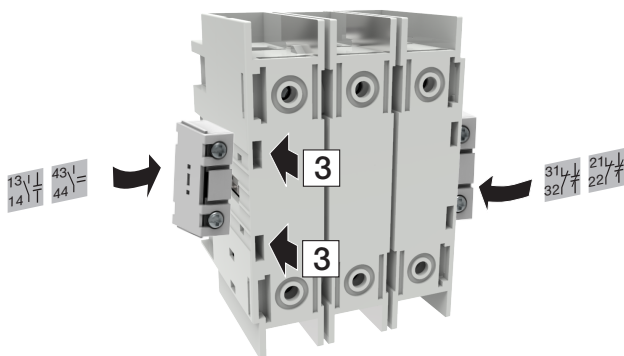
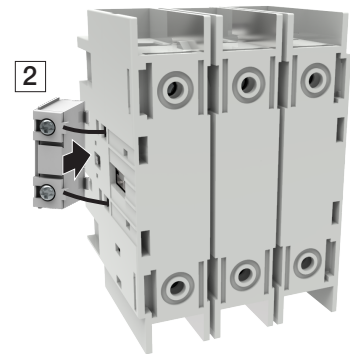
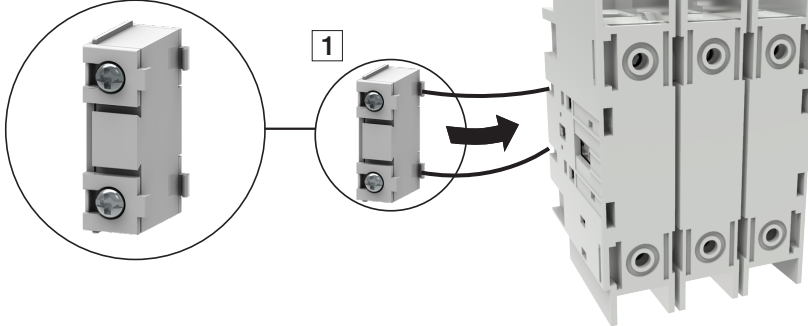


194U-NO, 194U-NC

Screws must be accessible when installed



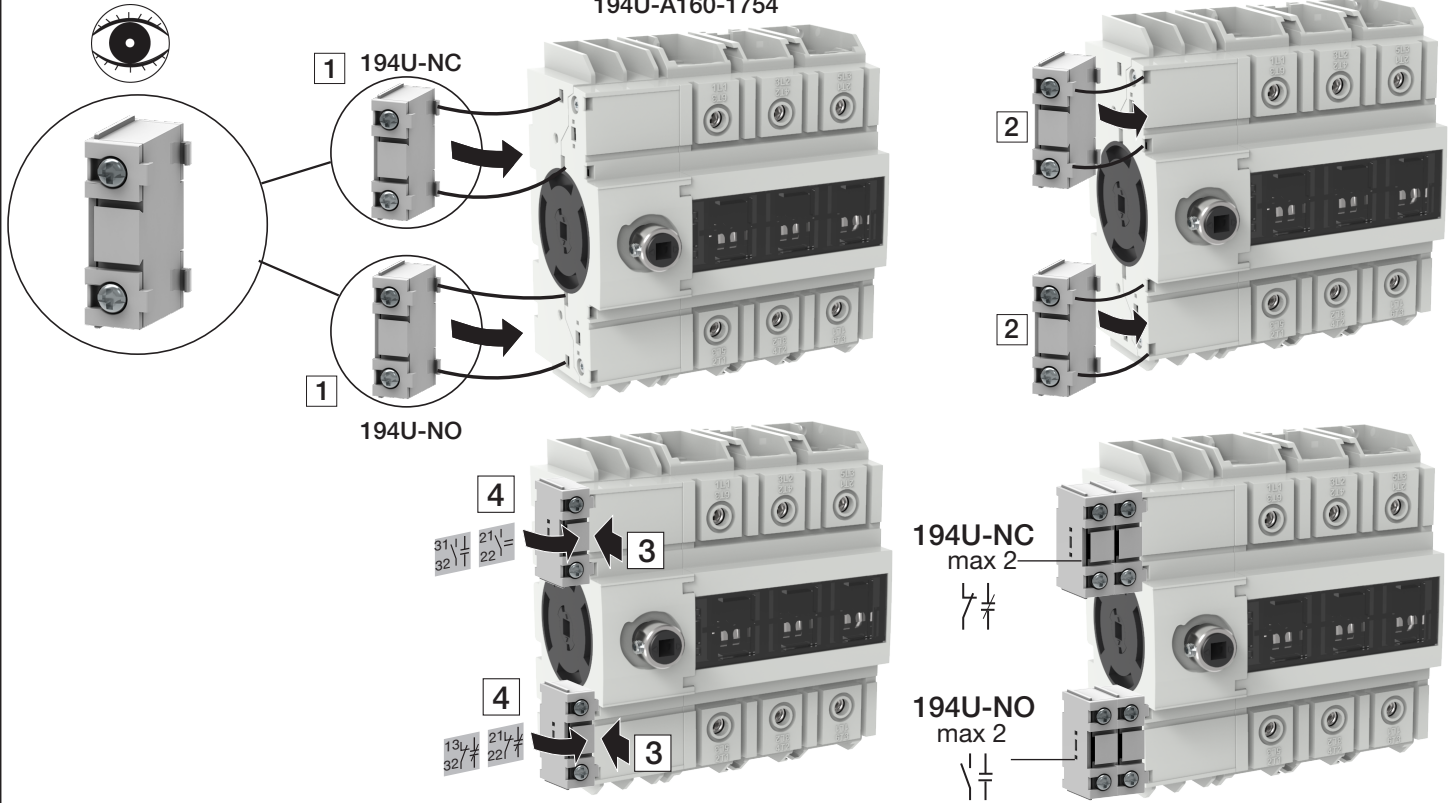
For use with:
 194U-E30-1753
 194U-E60-1753
 194U-E100-1753



194U-NO, 194U-NC

Screws must be accessible when installed

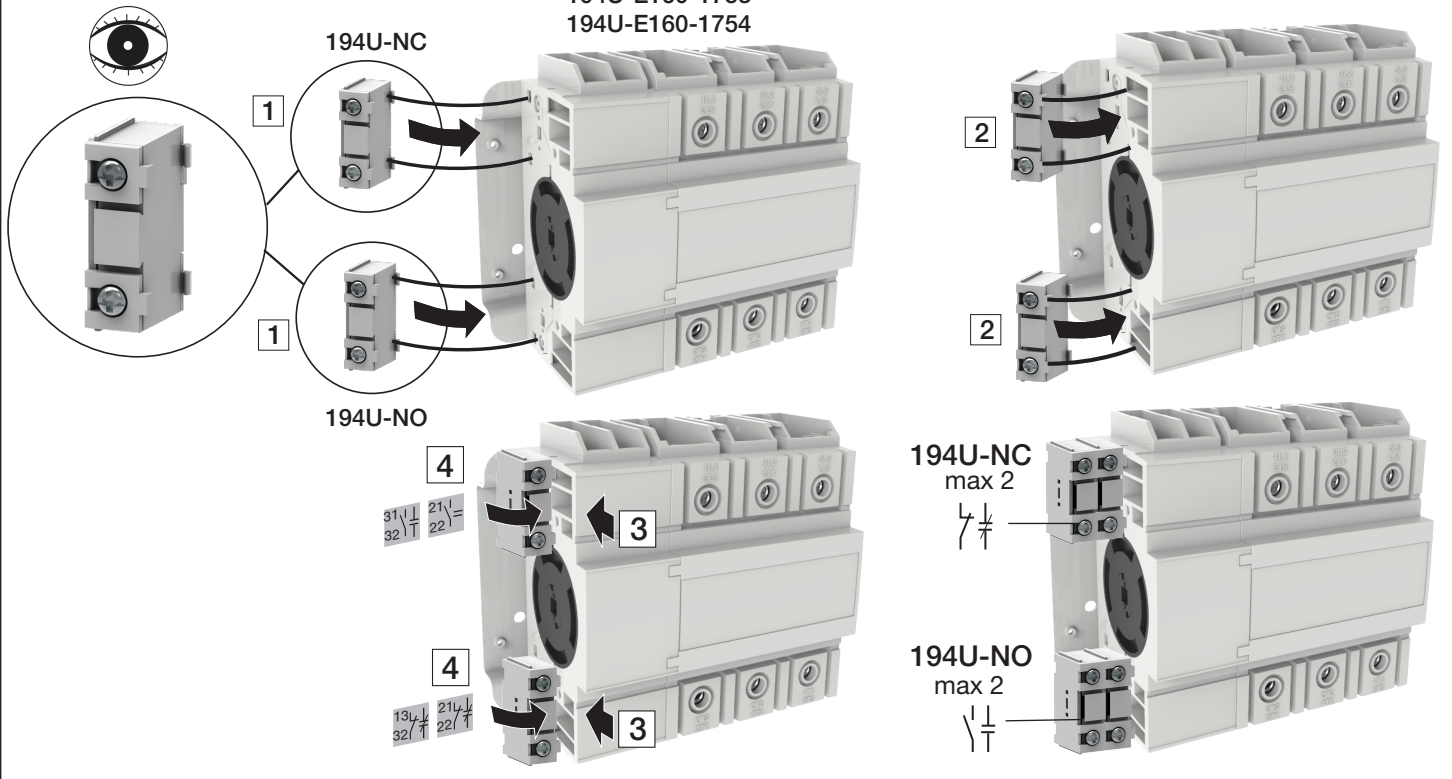
For use with:
194U-A160-1753
194U-A160-1754



194U-NO, 194U-NC

Screws must be accessible when installed

For use with:
194U-E160-1753
194U-E160-1754



Rockwell Automation maintains current product environmental information on its website at <http://www.rockwellautomation.com/rockwellautomation/about-us/sustainability-ethics/product-environmental-compliance.page>.

Allen-Bradley, Rockwell Software, and Rockwell Automation are trademarks of Rockwell Automation, Inc. Trademarks not belonging to Rockwell Automation are property of their respective companies.

www.rockwellautomation.com

Power, Control and Information Solutions Headquarters

Americas: Rockwell Automation, 1201 South Second Street, Milwaukee, WI 53204-2496 USA, Tel: (1) 414.382.2000, Fax: (1) 414.382.4444
Europe/Middle East/Africa: Rockwell Automation NV, Pegasus Park, De Kleetlaan 12a, 1831 Diegem, Belgium, Tel: (32) 2 663 0600, Fax: (32) 2 663 0640
Asia Pacific: Rockwell Automation, Level 14, Core F, Cyberport 3, 100 Cyberport Road, Hong Kong, Tel: (852) 2887 4788, Fax: (852) 2508 1846

DIR 10002571175 (Version 03)
Copyright © 2016 Rockwell Automation, Inc. All Rights Reserved. Printed in Finland.