

# Installation Instructions

Bulletin 194U

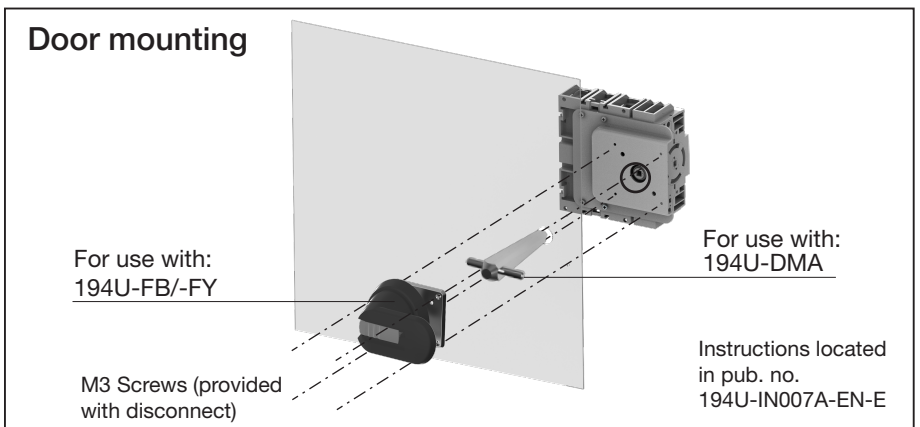
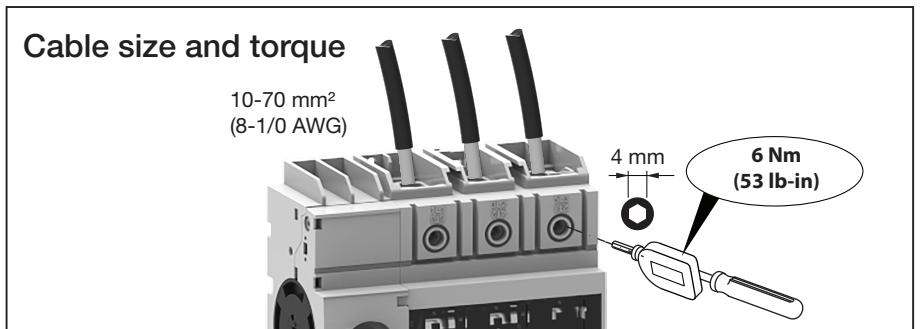
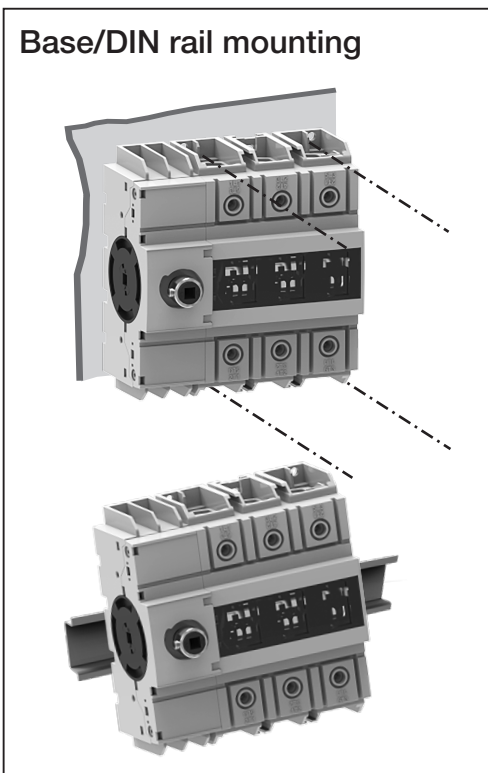
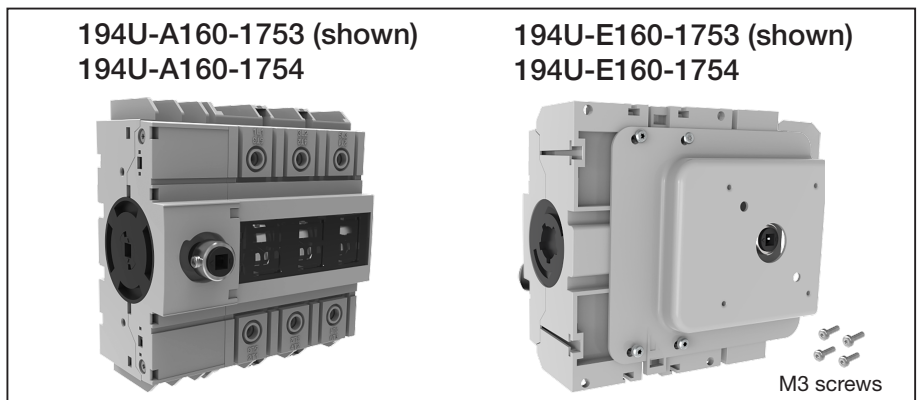


**160A Disconnect**  
**160A Trennschalter**  
**160A Déconnexion**  
**Sezionatori 160A**  
**Seccionador de 160 A**  
**Разъединитель 160 A**  
**160A 绝缘端子**

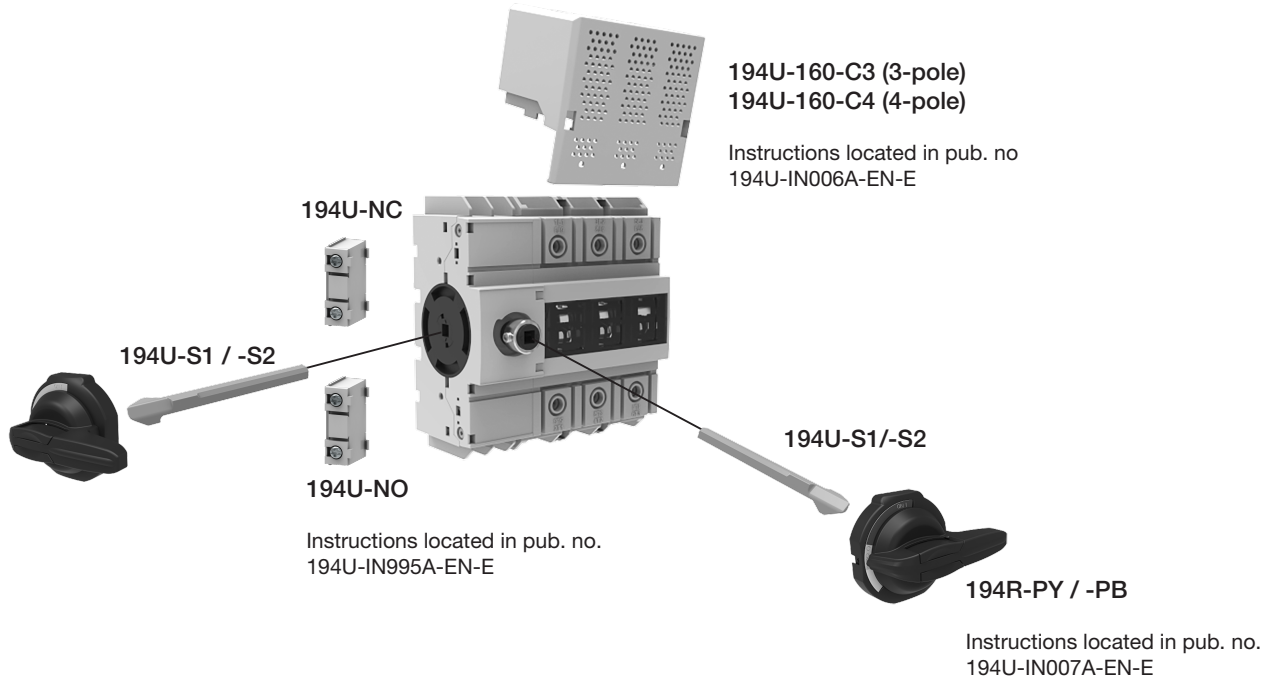
(Cat 194U-A160-1753, 194U-A160-1754, 194U-E160-1753, 194U-E160-1754)

- WARNING:** To prevent electrical shock, disconnect from power source before installing or servicing. Install in suitable enclosure. Keep free from contaminants.
- WARNUNG:** Vor Installations- oder Servicearbeiten Stromversorgung unterbrechen, um Unfälle zu vermeiden. Die Geräte müssen in einem passenden Gehäuse eingebaut und gegen Verschmutzung geschützt werden.
- AVERTISSEMENT:** Avant le montage et la mise en service, couper l'alimentation secteur afin d'éviter tout accident. Prévoir une mise en coffret ou armoire appropriée. Protéger le produit contre les environnements agressifs.
- AVVERTENZA:** Per prevenire infortuni, togliere **tensione prima** dell'installazione o manutenzione. Installare in custodia idonea. Tenere lontano da contaminanti.
- ADVERTENCIA:** Desconectar la alimentación eléctrica **antes** de realizar el montaje y la puesta en servicio, con el objeto de evitar accidentes. Instalado en una caja o armari apropiado. Proteger el producto de los ambientes **agresivos**.
- ПРЕДУПРЕЖДЕНИЕ:** Во избежание поражения электрическим током, отсоединить от источника питания перед установкой или обслуживанием. Устанавливать в соответствующем корпусе. Предохранять от загрязнений.
- 警告:** 为了防止触电，在安装或维修之前必须先切断电源。安装在合适的设备箱内，防止接触污染物。

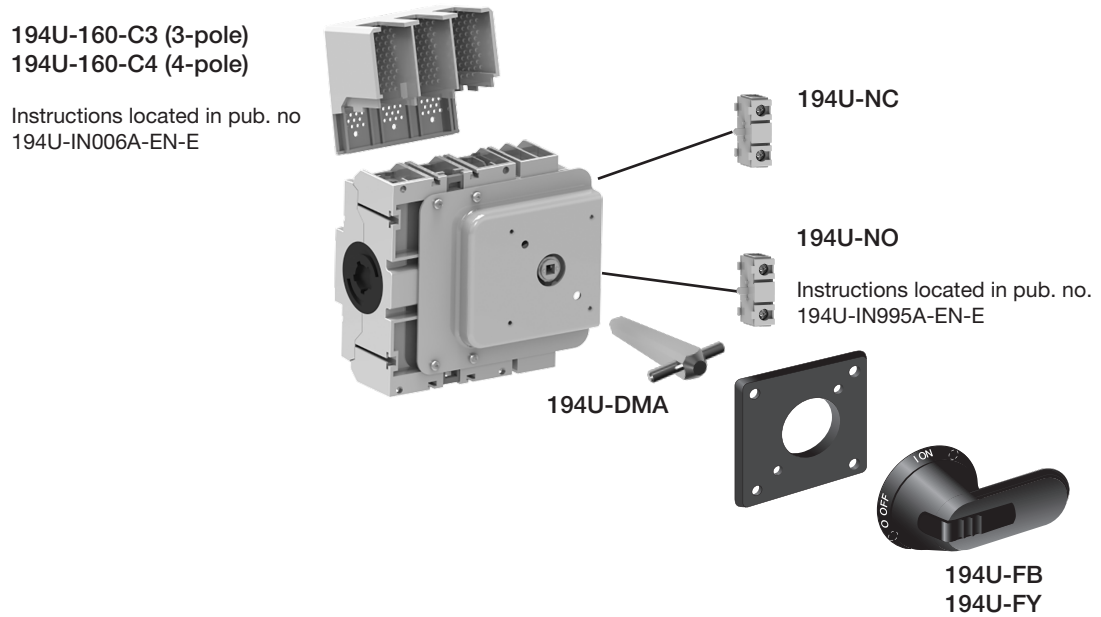
**CE** EN 60947-3  
 UL 98  
 Product of Finland



## Accessories for Base/DIN Mount



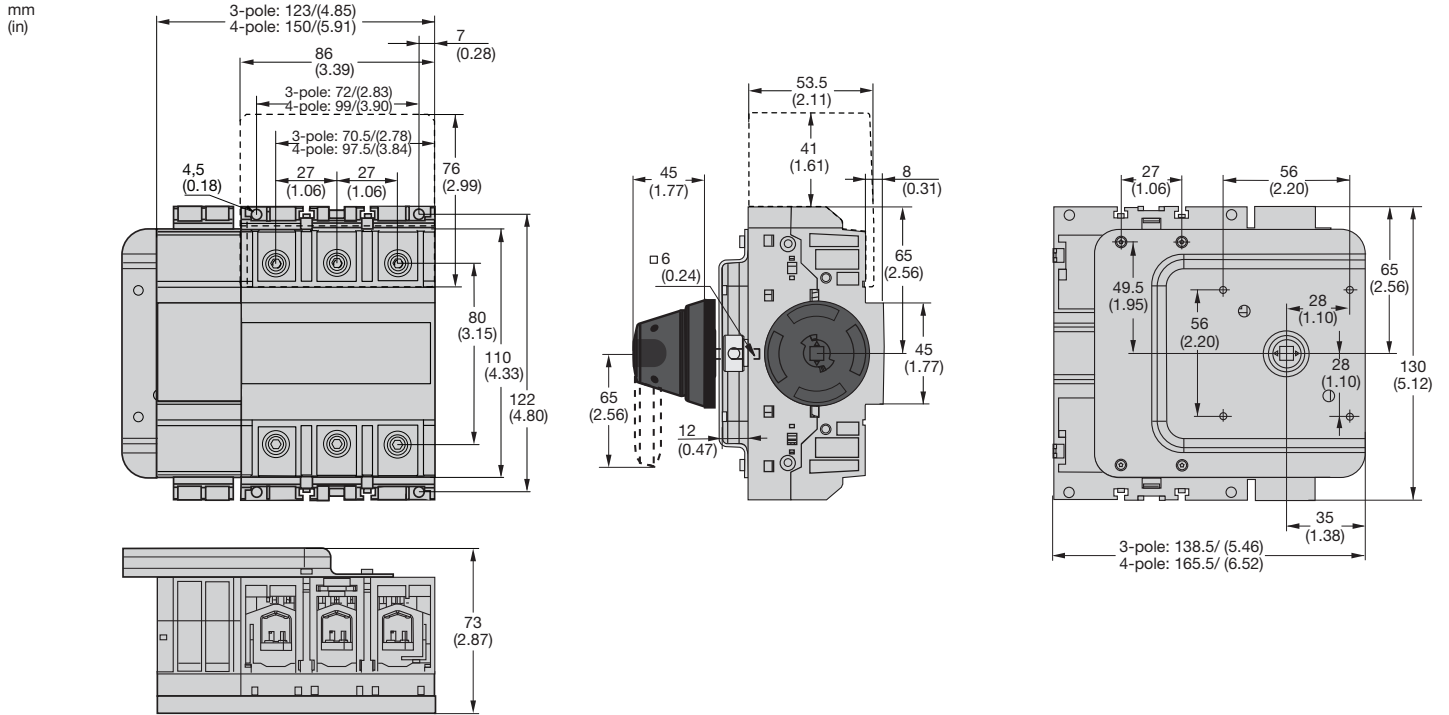
## Accessories for Door Mount



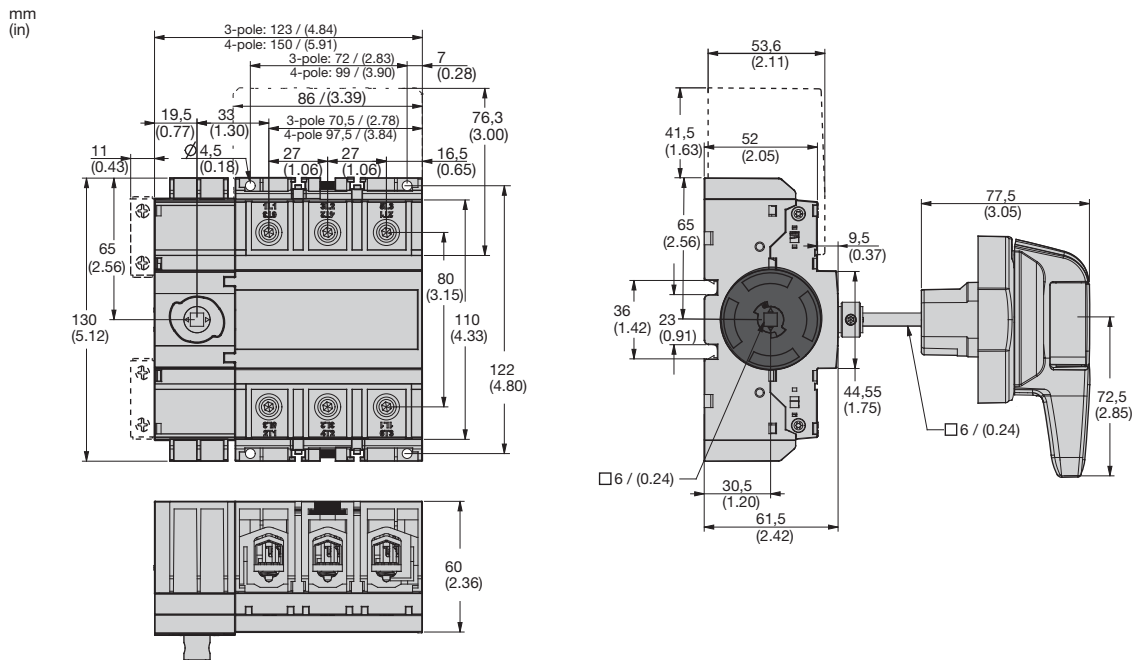
### Minimum enclosure size of equivalent volume

Height mm / (in)	400 / (15.76)
Width mm / (in)	600 / (23.64)
Depth mm / (in)	230 / (9.06)

## Door mount dimensions: 194U-E160-1753, 194U-E160-1754



## Base mount dimensions: 194U-A160-1753, 194U-A160-1754



Rockwell Automation maintains current product environmental information on its website at <http://www.rockwellautomation.com/rockwellautomation/about-us/sustainability-ethics/product-environmental-compliance.page>.

Allen-Bradley, Rockwell Software, and Rockwell Automation are trademarks of Rockwell Automation, Inc.  
Trademarks not belonging to Rockwell Automation are property of their respective companies.

**[www.rockwellautomation.com](http://www.rockwellautomation.com)**

---

**Power, Control and Information Solutions Headquarters**

Americas: Rockwell Automation, 1201 South Second Street, Milwaukee, WI 53204-2496 USA, Tel: (1) 414.382.2000, Fax: (1) 414.382.4444

Europe/Middle East/Africa: Rockwell Automation NV, Pegasus Park, De Kleetlaan 12a, 1831 Diegem, Belgium, Tel: (32) 2 663 0600, Fax: (32) 2 663 0640

Asia Pacific: Rockwell Automation, Level 14, Core F, Cyberport 3, 100 Cyberport Road, Hong Kong, Tel: (852) 2887 4788, Fax: (852) 2508 1846

DIR 10002562455 (Version 02)  
Copyright © 2016 Rockwell Automation, Inc. All Rights Reserved. Printed in Finland.