

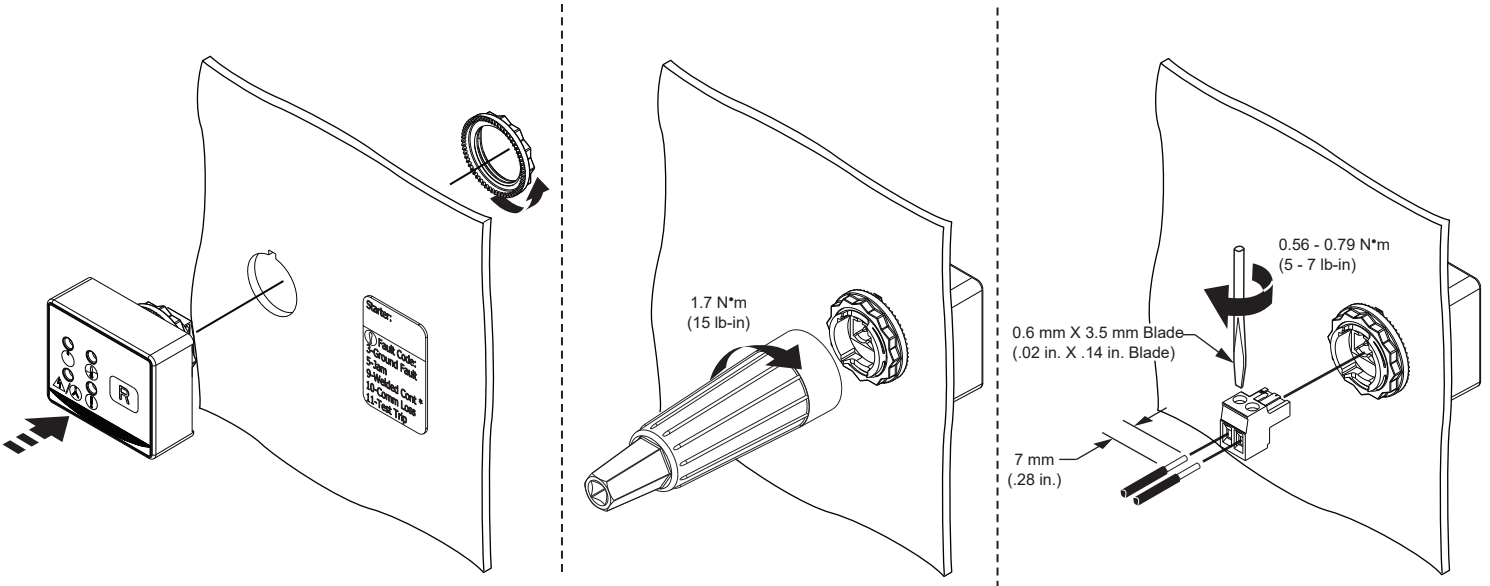
Bulletin 193 E100 Remote Indication Display Application and Installation (Cat 193-ERID, 193-1ERIDN)



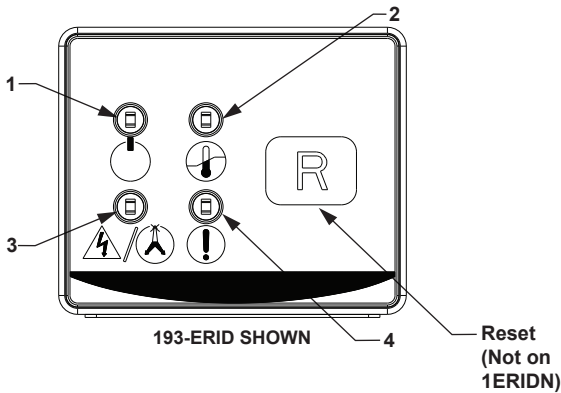
At the end of its life, this equipment should be collected separately from any unsorted municipal waste.

- WARNING:** To prevent electrical shock, disconnect from power source before installing or servicing. Install in suitable enclosure. Keep free from contaminants. Follow NFPA70E requirements.
- WARNING:** Only personnel familiar with the remote indication display and associated machinery should plan to install, start up, and maintain the system. Failure to comply may result in personal injury and/or equipment damage.
- WARNING:** Do not use automatic reset mode in applications where unexpected automatic restart of the motor can cause injury to persons or damage to equipment.
- WARNING:** The module contains ESD (electrostatic discharge)-sensitive parts and assemblies. Static control precautions are required when installing, testing, servicing, or repairing this assembly. Component damage may result if ESD control procedures are not followed. If you are not familiar with static control procedures, refer to Rockwell Automation publication 8000-4.5.2, "Guarding Against Electrostatic Damage", or any other applicable ESD protection handbook.
- WARNING:** An incorrectly applied or installed remote indication display can result in damage to the components or reduction in product life. Wiring or application errors such as supplying incorrect or inadequate supply voltage, or operating/storing in excessive ambient temperatures may result in malfunction of the product.

Installation



Indication



Starter:	
!	Fault Code:
3	Ground Fault
5	Jam
9	Welded Cont *
10	Comm Loss
11	Test Trip

* Applies to OLR Module only - 140ME-D-ORF

LED	Function	Symbol	Fault or Status	Flash Code
1	Module Power / Status		Module Power	Green (Flash)
			Module Power + Motor Current	Green (Solid)
			Hardware Fault	Red (Solid)
2	Overload		Overload Trip / Warning*	Red (Solid) / Yellow (Flash)
3	Phase Loss		Short Circuit Trip	Red (Solid)
			Phase Loss Trip / Warning	Red / Yellow (Flash)
4	Fault Status		Ground Fault Trip / Warning	3 Red / Yellow (Flash)
			Jam Trip / Warning	5 Red / Yellow (Flash)
			Welded Cont*	9 Red (Flash)
			Comm Loss / Warning	10 Red / Yellow (Flash)
			Test Trip	11 Red (Flash)

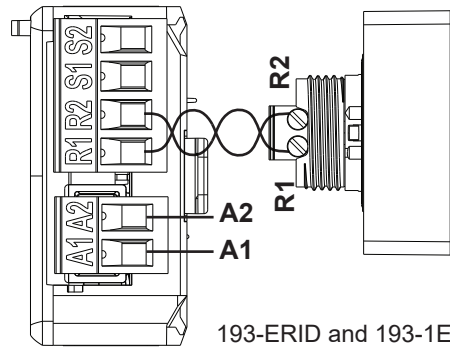
Main Connections

Rated Insulation Voltage (Ui): 30V
 Rated Operational Voltage (Ue) IEC/UL: 24V DC

# Wires	Range	Torque
1 Wire	0.2...2.5 mm ² (24...12 AWG)	0.55 N•m (5 lb-in)

Recommend use of twisted pair for remote reset 24 AWG Minimum

Wiring Diagram



193-ERID and 193-1ERIDN
 to be used with:
 193-1EGJ
 193-1ERR

Accessories

	Description	Type	Pkg. Quantity	Cat No.
	30.5 mm to 22.5 mm Hole Size Adapter This adapter allows a 22.5 mm push button operator to be installed in a panel with existing 30.5 mm mounting holes. Note: Comes with anti-rotation washer	Metal	1	800F-AHA1
	Mounting Ring Wrench The mounting ring wrench is used to tighten plastic or metal mounting rings quickly and securely			800F-AW2
	Replacement Mounting Rings	Plastic	10	800F-ARP
		Metal		800F-ARM
	Replacement Trim Washer	Metal	10	800F-ATW1

For Technical Support, visit rok.auto/support.

Connect with us.

Rockwell Automation maintains current product environmental compliance information on its website at rok.auto/pec.

Product certificates are located in the Rockwell Automation Literature Library: rok.auto/certifications.

Rockwell Otomasyon Ticaret A.Ş., Kar Plaza İş Merkezi E Blok Kat:6 34752 İçerenköy, İstanbul, Tel: +90 (216) 5698400

EEE Yönetmeliğine Uygundur.

rockwellautomation.com

expanding human possibility™

AMERICAS: Rockwell Automation, 1201 South Second Street, Milwaukee, WI 53204-2496 USA, Tel: 414.382.2000, Fax: (1) 414.382.4444

EUROPE/MIDDLE EAST/AFRICA: Rockwell Automation NV, Pegasus Park, De Kleetlan 12a, 1831 Diegem, Belgium, Tel: (32) 2663 0600, Fax: (32) 2663 0640

ASIA PACIFIC: Rockwell Automation, Level 14, Core F, Cyberport 3, 100 Cyberport Road, Hong Kong, Tel: (852) 2887 4788, Fax: (852) 2501846

