

Bulletin 193 E100 Overload Relay Remote Reset Installation

(Cat 193-1EMR_)



At the end of its life, this equipment should be collected separately from any unsorted municipal waste.

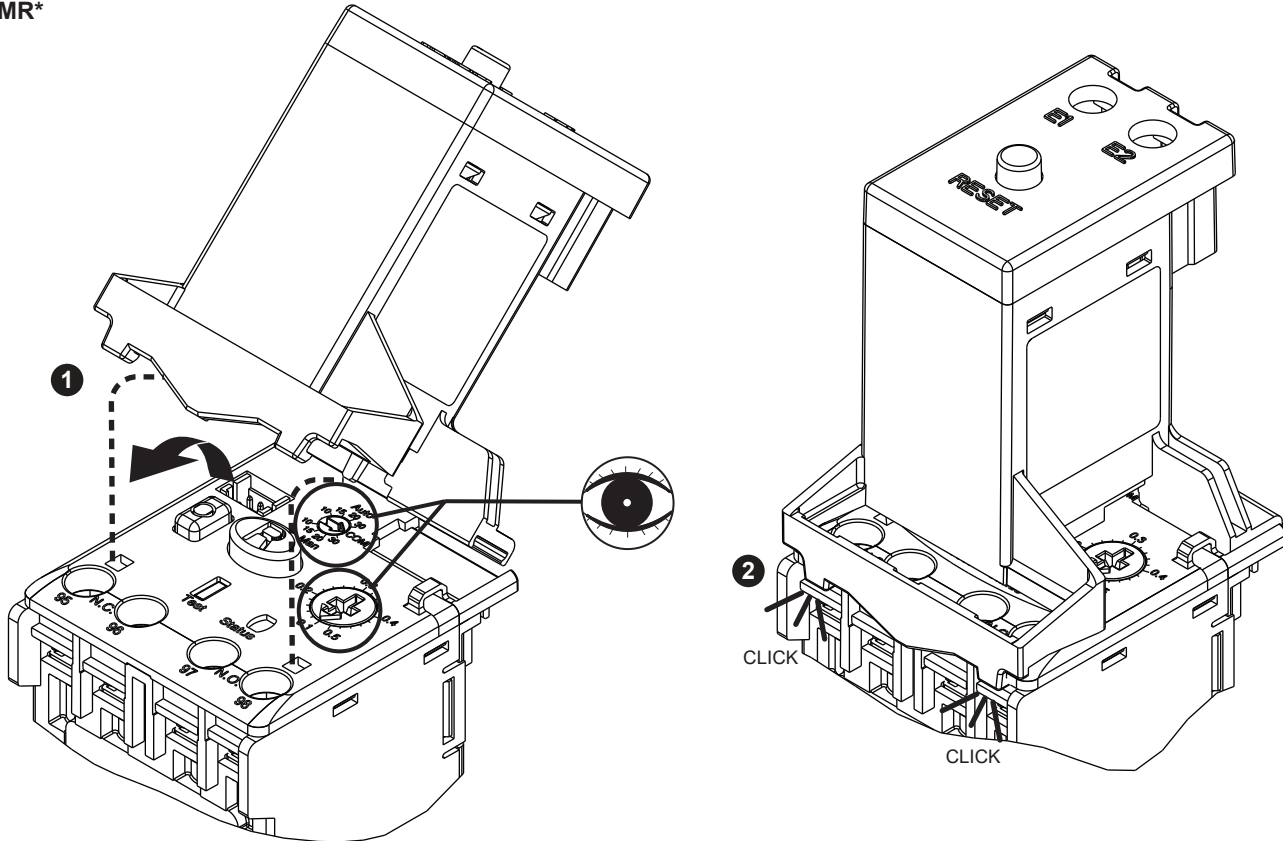


WARNING: To prevent electrical shock, disconnect from power source before installing or servicing. Install in suitable enclosure. Keep free from contaminants. Follow NFPA70E requirements.

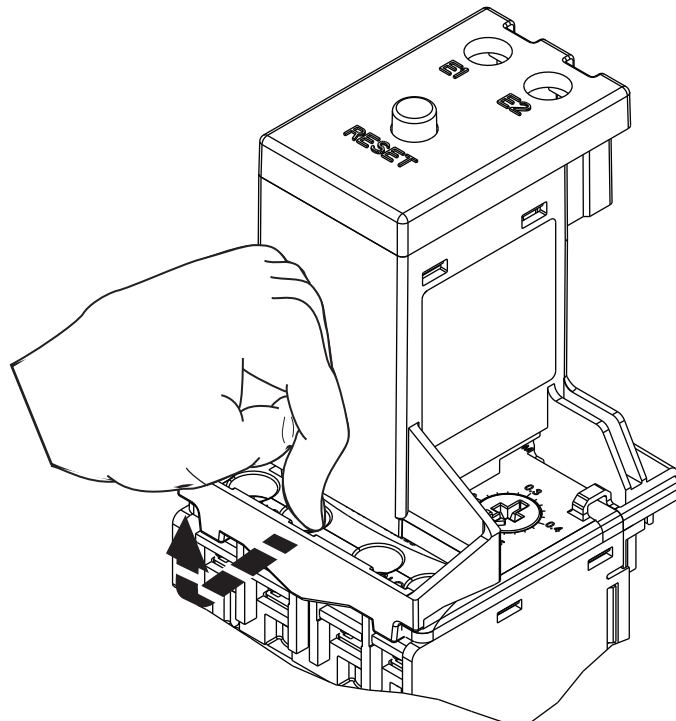
WARNING: Do not use automatic reset mode in applications where unexpected automatic restart of the motor can cause injury to persons or damage to equipment.

Installation

193-1EMR*



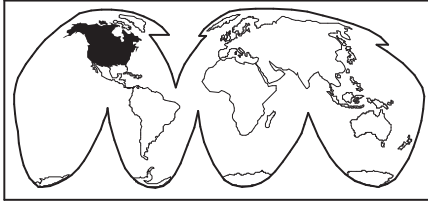
Removal



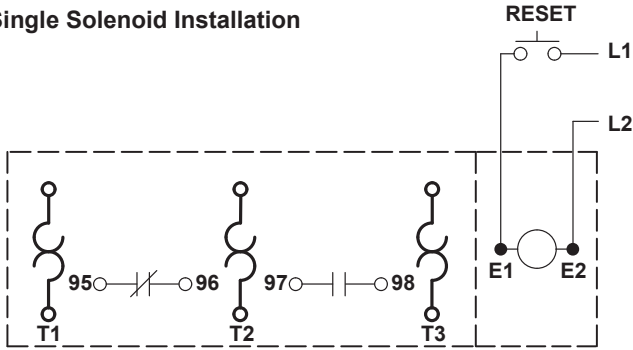
Main Connections

Wire Type	# Wires	Range	Torque
Stranded / Solid	1 Wire	1.5...2.5 mm ² (16...12 AWG)	1.4 N•m (12 lb-in)

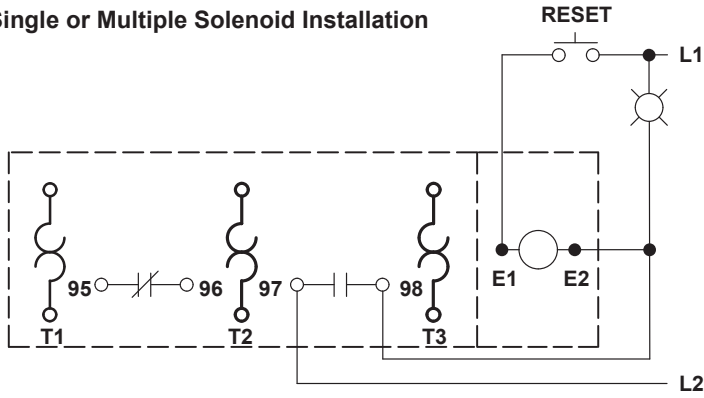
Wiring Diagrams



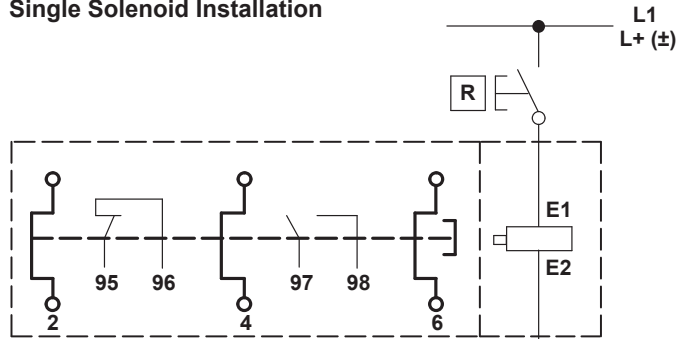
Single Solenoid Installation



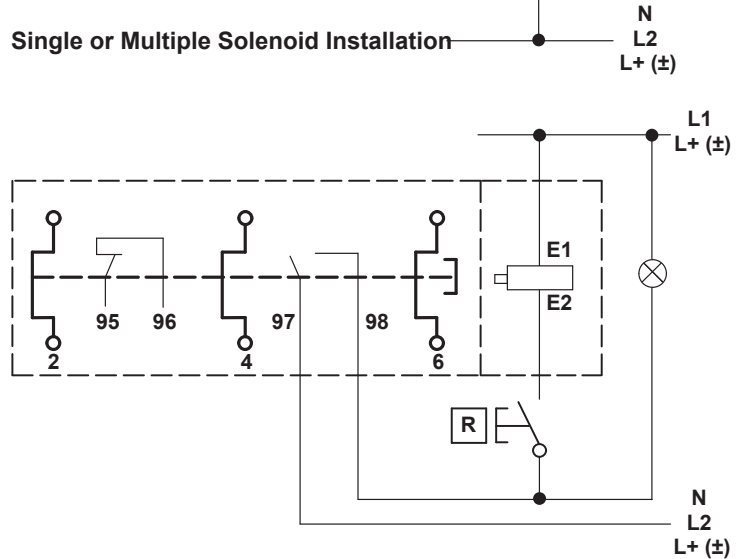
Single or Multiple Solenoid Installation



Single Solenoid Installation



Single or Multiple Solenoid Installation



For Technical Support, visit rok.auto/support.

Connect with us.

Rockwell Automation maintains current product environmental compliance information on its website at rok.auto/pec.

Product certificates are located in the Rockwell Automation Literature Library: rok.auto/certifications.

Rockwell Otomasyon Ticaret A.Ş., Kar Plaza İş Merkezi E Blok Kat:6 34752 İçerenköy, İstanbul, Tel: +90 (216) 5698400

EEE Yönetmeliğine Uygundur.

rockwellautomation.com

expanding human possibility™

AMERICAS: Rockwell Automation, 1201 South Second Street, Milwaukee, WI 53204-2496 USA, Tel: 414.382.2000, Fax: (1) 414.382.4444
 EUROPE/MIDDLE EAST/AFRICA: Rockwell Automation NV, Pegasus Park, De Kleetlan 12a, 1831 Diegem, Belgium, Tel: (32) 2663 0600, Fax: (32) 2663 0640
 ASIA PACIFIC: Rockwell Automation, Level 14, Core F, Cyberport 3, 100 Cyberport Road, Hong Kong, Tel: (852) 2887 4788, Fax: (852) 2501846

