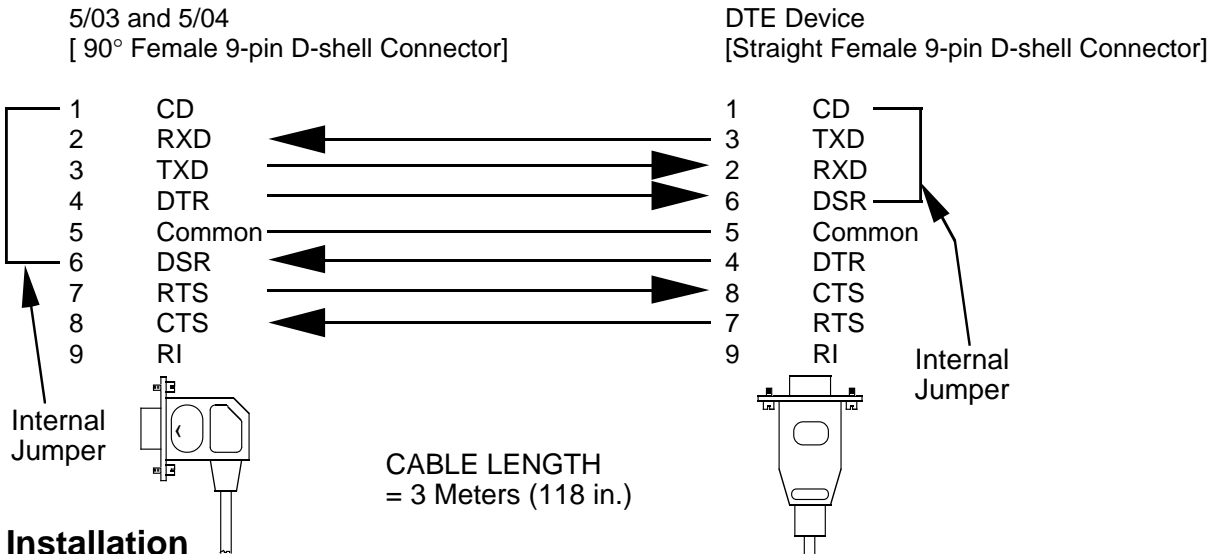




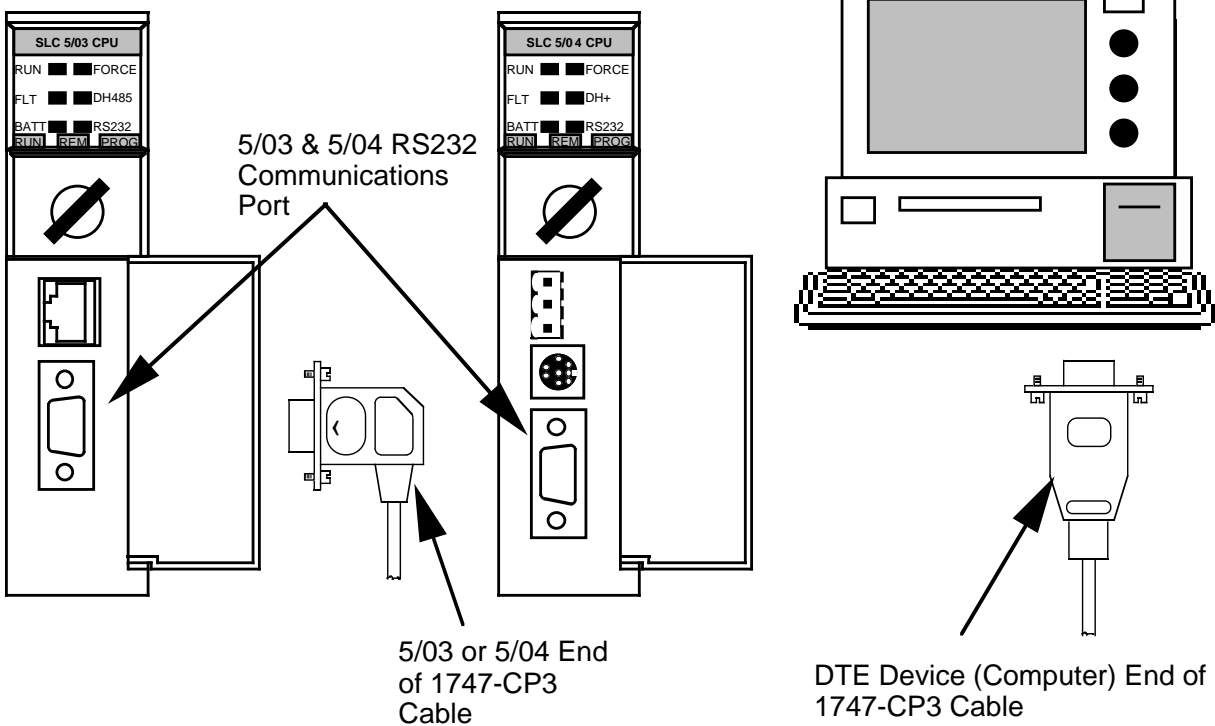
INSTALLATION INSTRUCTIONS PROGRAMMER CABLE FOR SLC 5/03 & 5/04 MODULAR PROGRAMMABLE CONTROLLER

CATALOG NUMBER 1747-CP3

Cable Wiring Diagram



Installation Diagram



40063-181-01 (C)
Printed in Singapore.



ALLEN-BRADLEY
A ROCKWELL INTERNATIONAL COMPANY

164% REDUCE
61%