



# POINT I/O 24V DC 4-channel Discrete Input Module with Diagnostics

Catalog Number 1734-IB4D

## Table of Contents

| <b>Topic</b>                         | <b>Page</b> |
|--------------------------------------|-------------|
| Important User Information           | 2           |
| Environment and Enclosure            | 3           |
| Prevent Electrostatic Discharge      | 4           |
| About the Module                     | 6           |
| Before You Begin                     | 7           |
| Understand Short Circuit Detection   | 7           |
| Understand Open-wire Detection       | 8           |
| Install the Mounting Base            | 9           |
| Install the Module                   | 10          |
| Install the Removable Terminal Block | 13          |
| Wire the Module                      | 14          |
| Configure the Module                 | 16          |
| Interpret the Indicators             | 18          |
| Remove a Mounting Base               | 20          |
| Specifications                       | 21          |

### Important User Information

Solid state equipment has operational characteristics differing from those of electromechanical equipment. Safety Guidelines for the Application, Installation and Maintenance of Solid State Controls (Publication [SGI-1.1](#) available from your local Rockwell Automation sales office or online at <http://literature.rockwellautomation.com>) describes some important differences between solid state equipment and hard-wired electromechanical devices. Because of this difference, and also because of the wide variety of uses for solid state equipment, all persons responsible for applying this equipment must satisfy themselves that each intended application of this equipment is acceptable.

In no event will Rockwell Automation, Inc. be responsible or liable for indirect or consequential damages resulting from the use or application of this equipment.

The examples and diagrams in this manual are included solely for illustrative purposes. Because of the many variables and requirements associated with any particular installation, Rockwell Automation, Inc. cannot assume responsibility or liability for actual use based on the examples and diagrams.

No patent liability is assumed by Rockwell Automation, Inc. with respect to use of information, circuits, equipment, or software described in this manual.

Reproduction of the contents of this manual, in whole or in part, without written permission of Rockwell Automation, Inc., is prohibited.

Throughout this manual, when necessary, we use notes to make you aware of safety considerations.



**WARNING:** Identifies information about practices or circumstances that can cause an explosion in a hazardous environment, which may lead to personal injury or death, property damage, or economic loss.



**ATTENTION:** Identifies information about practices or circumstances that can lead to personal injury or death, property damage, or economic loss. Attentions help you identify a hazard, avoid a hazard, and recognize the consequences.



**SHOCK HAZARD:** Labels may be on or inside the equipment (for example, drive or motor) to alert people that dangerous voltage may be present.



**BURN HAZARD:** Labels may be on or inside the equipment (for example, drive or motor) to alert people that surfaces may reach dangerous temperatures.

**IMPORTANT**

Identifies information that is critical for successful application and understanding of the product.

---

## Environment and Enclosure

---



**ATTENTION:** This equipment is intended for use in a Pollution Degree 2 industrial environment, in overvoltage Category II applications (as defined in EN/IEC 60664-1), at altitudes up to 2000 m (6562 ft) without derating.

This equipment is not intended for use in residential environments and may not provide adequate protection to radio communication services in such environments.

This equipment is supplied as open-type equipment for indoor use. It must be mounted within an enclosure that is suitably designed for those specific environmental conditions that will be present and appropriately designed to prevent personal injury resulting from accessibility to live parts. The enclosure must have suitable flame-retardant properties to prevent or minimize the spread of flame, complying with a flame spread rating of 5VA or be approved for the application if nonmetallic. The interior of the enclosure must be accessible only by the use of a tool. Subsequent sections of this publication may contain more information regarding specific enclosure type ratings that are required to comply with certain product safety certifications.

In addition to this publication, see the following:

- Industrial Automation Wiring and Grounding Guidelines, publication [1770-4.1](#), for more installation requirements.
- NEMA Standard 250 and EN/IEC 60529, as applicable, for explanations of the degrees of protection provided by enclosures.



**ATTENTION:** Read this document and the documents listed in the Additional Resources section about installation, configuration, and operation of this equipment before you install, configure, operate, or maintain this product. Users are required to familiarize themselves with installation and wiring instructions in addition to requirements of all applicable codes, laws, and standards.

Installation, adjustments, putting into service, use, assembly, disassembly, and maintenance are required to be carried out by suitably trained personnel in accordance with applicable code of practice. In case of malfunction or damage, no attempts at repair should be made. The module should be returned to the manufacturer for repair. Do not dismantle the module.

---

### Prevent Electrostatic Discharge

---



**ATTENTION:** This equipment is sensitive to electrostatic discharge, which can cause internal damage and affect normal operation.

Follow these guidelines when you handle this equipment:

- Touch a grounded object to discharge potential static.
  - Wear an approved grounding wriststrap.
  - Do not touch connectors or pins on component boards.
  - Do not touch circuit components inside the equipment.
  - Use a static-safe workstation, if available.
  - Store the equipment in appropriate static-safe packaging when not in use.
- 

### Special Conditions for Safe Use

---



**ATTENTION:**

- This product is grounded through the DIN rail to chassis ground. Use zinc plated chromate-passivated steel DIN rail to assure proper grounding. The use of other DIN rail materials (for example, aluminum or plastic) that can corrode, oxidize, or are poor conductors, can result in improper or intermittent grounding. Secure DIN rail to mounting surface approximately every 200 mm (7.8 in.) and use end-anchors appropriately. Be sure to ground the DIN rail properly. Refer to Industrial Automation Wiring and Grounding Guidelines, publication [1770-4.1](#), for more information.
  - Do not remove or replace an Adapter Module while power is applied. Interruption of the backplane can result in unintentional operation or machine motion.
  - Do not discard the end cap. Use this end cap to cover the exposed interconnections on the last mounting base on the DIN rail. Failure to do so could result in equipment damage or injury from electric shock.
  - If this equipment is used in a manner not specified by the manufacturer, the protection provided by the equipment may be impaired.
-

## Electrical Safety Considerations

---



**ATTENTION:** This equipment is certified for use only within the surrounding air temperature range of 0...55 °C (32...131 °F). The equipment must not be used outside of this range.

---



At the end of its life, this equipment should be collected separately from any unsorted municipal waste.

---

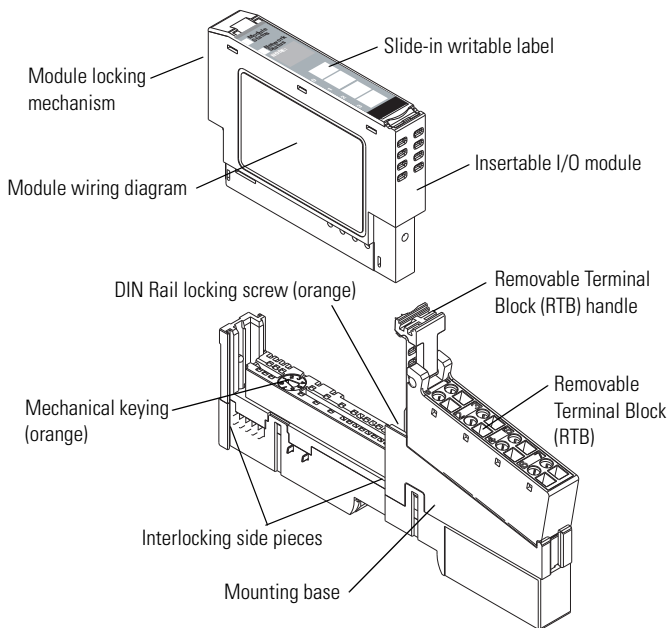
### About the Module

This module is a 4-channel 24V DC input module with short circuit and open-wire diagnostics.

See the figures to familiarize yourself with major parts of the module, noting that the wiring base assembly is one of the following, with the module not being compatible with 1734-TB3, 1734-TB3S, 1734-TOP3, and 1734-TOP3S bases:

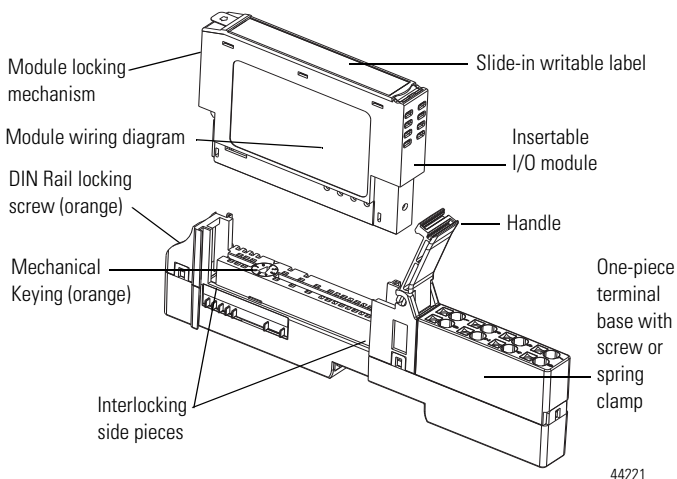
- 1734-TB POINT I/O™ two-piece terminal base, which includes the 1734-RTB removable terminal block
- 1734-TOP or 1734-TOPS POINT I/O one-piece terminal base

### POINT I/O Input Module with 1734-TB Base



44328

## POINT I/O Input Module with 1734-TOP or 1734-TOPS Base



## Before You Begin

The module supports remove and insert under power, auto-address, and auto-baud in compliance with the POINTBus™ backplane. Each input is a sinking DC input with short circuit and open-wire detection. The sensor source voltage is derived from the user auxiliary power and used as I/O power.

## Understand Short Circuit Detection

The sensor source voltage (SSV) for each input is protected against short circuits. For currents above 200 mA, a fault signal is issued and the input LED indicator is illuminated solid red. A thermally actuated smart-power device or PTC is used as the protection means. On a per-input basis, the circuit and produced data automatically reset and SSV energizes upon removal of the short circuit. An individual fault signal is issued for each shorted SSV condition.

The shorted input LED indicator illuminates red to denote short circuit fault status. See the section on interpreting LED indicators for related information.

When the SSV is loaded to the maximum rated current of 50 mA, a voltage drop of as much as 2.5V DC can exist between the user auxiliary power and the SSV connection. For example, for a supply of 10V DC to a sensor with power derived from the SSV, a supply of 12.5V DC is needed at the auxiliary power connection.

### Understand Open-wire Detection

Sensor source voltage (SSV) current for each input is monitored. Monitoring is accomplished in the SSV leg to accommodate the largest number of sensors possible. For currents below 0.5 mA, a fault signal is issued and the LED indicator of the input blinks red. On a per-input basis, the circuit and produced data automatically reset upon removal of the open-wire condition. See the information about interpreting LED indicators for related information.

By using a configuration tool, you can disable the open-wire diagnostics on an input-point basis to keep unused input indicators from turning red and signaling a fault when an input is not in use. Enabling or disabling input-point level open-wire diagnostics is implemented via the EDS file of the module, GSD file, or Logix profile and its firmware.

You can also disable all the open-wire diagnostics, using a single entry via the software user interface. The default configuration has all four input channels' open-wire indication enabled.

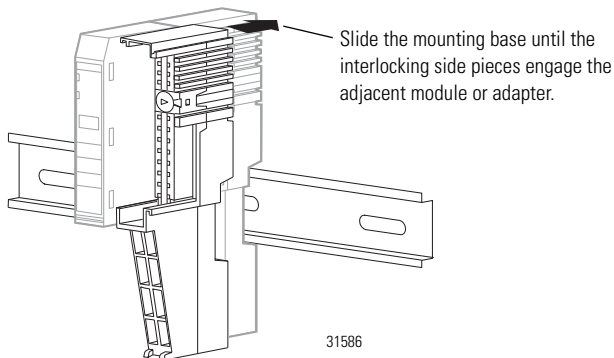
If a sensor with a dry contact output is used, wire one side of the contact to the SSV terminal for the corresponding input. Wire the other side of the contact to the input. Additionally, place a shunt resistor in parallel with the contact, at the sensor, to cause greater than 0.5 mA to be drawn through the SSV terminal at all times.



## Install the Mounting Base

To install the mounting base on the DIN rail, proceed as follows:

1. Position the mounting base vertically above the installed units, for example, adapter, power supply, or existing module.
2. Slide the mounting base down so that the interlocking side pieces engage the adjacent module or adapter.



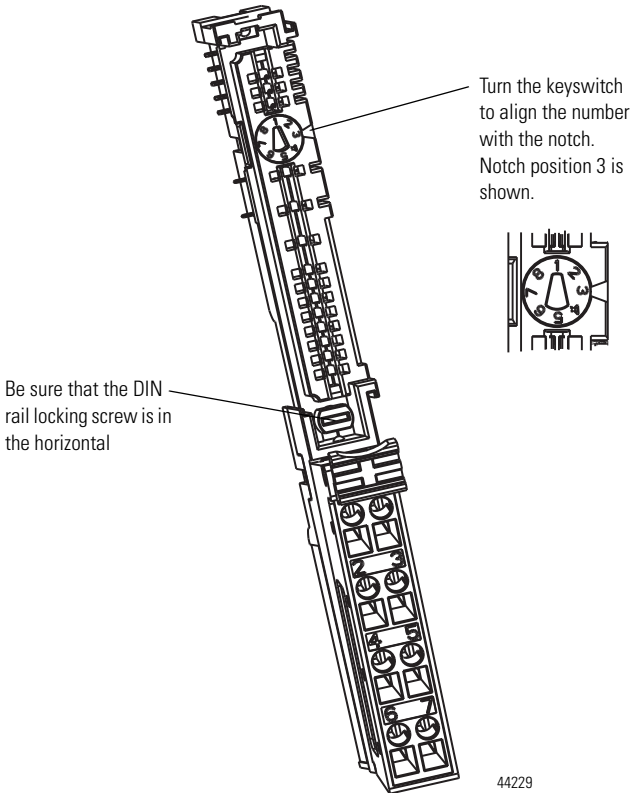
3. Press firmly to seat the mounting base on the DIN rail until the mounting base snaps into place.

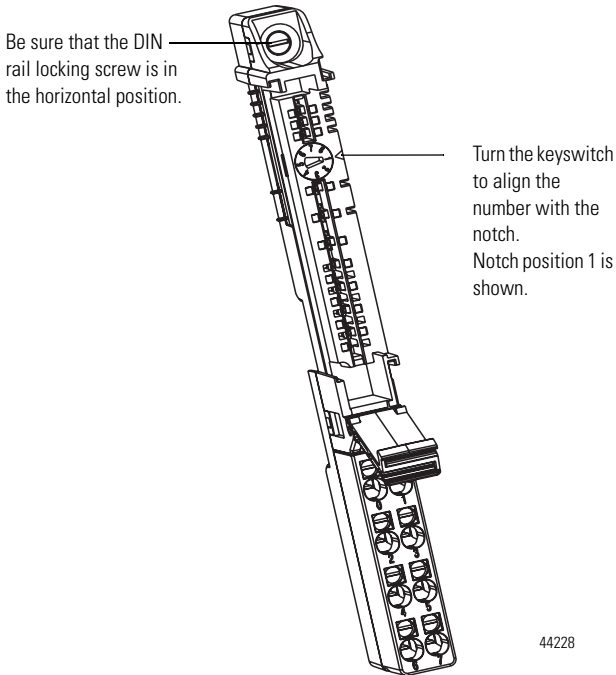
## Install the Module

Install the module before or after base installation. Before installing the module into the mounting base be sure of this.

- The mounting base is correctly keyed.
- The mounting base locking screw is positioned horizontally referenced to the base.

### 1734-TB Base



**1734-TOP Base**

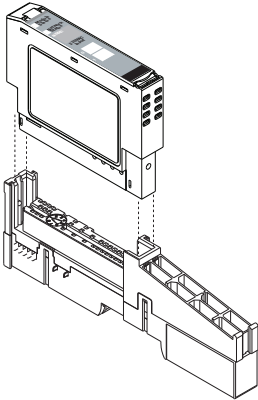
To install the module, use this procedure:

1. Use a bladed screwdriver to rotate the keyswitch on the mounting base clockwise until the number required for the type of module being installed aligns with the notch in the base.
2. Be sure that the DIN rail locking screw is in the horizontal position, noting that you cannot insert the module if the locking mechanism is unlocked.
3. Insert the module straight down into the mounting base and press to secure, until the module locks into place.

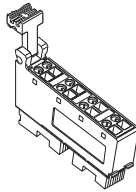
## 12 POINT I/O 24V DC 4-channel Discrete Input Module with Diagnostics

---

4. Insert the end opposite the handle into the base unit, noting this end has a curved section that engages with the wiring base.
5. Rotate the terminal block into the wiring base until it locks itself in place.
6. Snap the RTB handle into place on the module, if an I/O module is installed



Insert the module straight down into the mounting base.



Hook the RTB end into the mounting base end and rotate until it locks into place.

44011

## **Install the Removable Terminal Block**

Read this for information if a removable terminal block (RTB) is supplied with your wiring base assembly, noting that 1734-TOP and 1734-TOPS bases do not have an RTB.

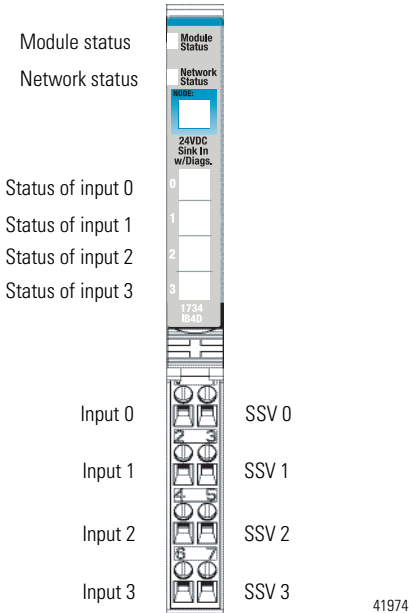
To insert the RTB, proceed as follows. Note that if you pull up on the RTB handle to remove the RTB, you can remove and replace the mounting base as necessary without removing any of the wirings.

1. Insert the end opposite the handle into the base unit, noting that this end has a curved section that engages with the wiring base.
2. Rotate the terminal block into the wiring base until it locks itself into place.
3. If an I/O module is installed, snap the RTB handle into place on the module.

## Wire the Module

See the figure and tables for information about how to wire the module.

### 1734-IB4D

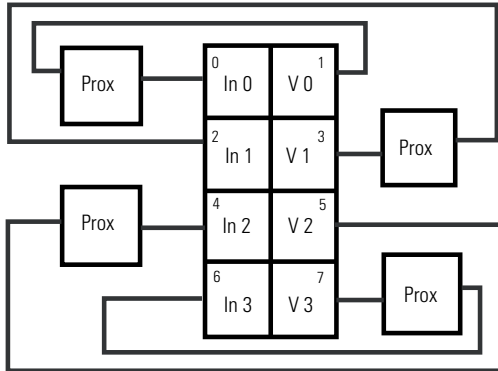


Note: Voltage and current are daisy-chained from either the adapter, 1734-FPD module, or 1734-EP24DC module.

Common connections for three-wire devices require an external wiring connection. A 1734-CTM module can provide the common connection.

**Wiring**

**Sink Input**



44226

V=10/28.8V DC

If a common connection is required (three-wire devices), then a 1734-CTM common terminal module can be required.

**POINT I/O Input Module**

| Channel | Terminal Number |                         |         |
|---------|-----------------|-------------------------|---------|
|         | I/O             | Common                  | Voltage |
| 0       | 0               | External <sup>(1)</sup> | 1       |
| 1       | 2               |                         | 3       |
| 2       | 4               |                         | 5       |
| 3       | 6               |                         | 7       |

Connect common on three-wire proximity switches.  
10/28.8V DC is supplied through the internal power bus.

<sup>(1)</sup> Common connections require an external connection, such as a 1734-CTM module.

## Configure the Module

Read this section for information about how to communicate with your module.

I/O messages are sent to (consumed) and received from (produced) the POINT I/O modules. These messages are mapped into the memory of the processor or scanner. This POINT I/O input module produces 1 byte or 2 bytes of input data based on which produced assembly is selected. The default setup is 2 bytes. It does not consume I/O data (scanner Tx).

### Default Data Map – Produced Assembly Instance 101

#### Message Size: 2 Bytes

|                | 7                | 6       | 5       | 4       | 3       | 2       | 1       | 0       |
|----------------|------------------|---------|---------|---------|---------|---------|---------|---------|
| Produce 0 (Rx) | Fault 3          | Fault 2 | Fault 1 | Fault 0 | Input 3 | Input 2 | Input 1 | Input 0 |
| Produce 1 (Rx) | SC 3             | SC 2    | SC 1    | SC 0    | OW 3    | OW 2    | OW 1    | OW 0    |
| Consume (Tx)   | No consumed data |         |         |         |         |         |         |         |

### Data Map – Produced Assembly Instance 23

#### Message Size: 1 Byte

|                | 7                | 6       | 5       | 4       | 3       | 2       | 1       | 0       |
|----------------|------------------|---------|---------|---------|---------|---------|---------|---------|
| Produce 0 (Rx) | Fault 3          | Fault 2 | Fault 1 | Fault 0 | Input 3 | Input 2 | Input 1 | Input 0 |
| Consume (Tx)   | No consumed data |         |         |         |         |         |         |         |

Where: Fault = open wire or short circuit

### Default Data Map – Configuration Assembly Instance 103

#### Message Size: 18 Bytes

|           | 7                               | 6 | 5 | 4 | 3 | 2 | 1 | 0 |
|-----------|---------------------------------|---|---|---|---|---|---|---|
| Consume 0 | Input 0 off to on filter byte 0 |   |   |   |   |   |   |   |
| Consume 1 | Input 0 off to on filter byte 1 |   |   |   |   |   |   |   |
| Consume 2 | Input 0 on to off filter byte 0 |   |   |   |   |   |   |   |
| Consume 3 | Input 0 on to off filter byte 1 |   |   |   |   |   |   |   |



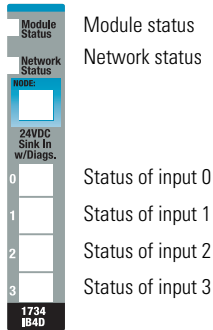
**Default Data Map – Configuration Assembly Instance 103****Message Size: 18 Bytes**

|                       | 7                               | 6 | 5 | 4 | 3          | 2          | 1          | 0          |
|-----------------------|---------------------------------|---|---|---|------------|------------|------------|------------|
| Consume 4             | Input 1 off to on filter byte 0 |   |   |   |            |            |            |            |
| Consume 5             | Input 1 off to on filter byte 1 |   |   |   |            |            |            |            |
| Consume 6             | Input 1 on to off filter byte 0 |   |   |   |            |            |            |            |
| Consume 7             | Input 1 on to off filter byte 1 |   |   |   |            |            |            |            |
| Consume 8             | Input 2 off to on filter byte 0 |   |   |   |            |            |            |            |
| Consume 9             | Input 2 off to on filter byte 1 |   |   |   |            |            |            |            |
| Consume 10            | Input 2 on to off filter byte 0 |   |   |   |            |            |            |            |
| Consume 11            | Input 2 on to off filter byte 1 |   |   |   |            |            |            |            |
| Consume 12            | Input 3 off to on filter byte 0 |   |   |   |            |            |            |            |
| Consume 13            | Input 3 off to on filter byte 1 |   |   |   |            |            |            |            |
| Consume 14            | Input 3 on to off filter byte 0 |   |   |   |            |            |            |            |
| Consume 15            | Input 3 on to off filter byte 1 |   |   |   |            |            |            |            |
| Consume 16            | Autobaud Disable                | – |   |   | Enable OW3 | Enable OW2 | Enable OW1 | Enable OW0 |
| Consume 17            | Produced Assembly Instance      |   |   |   |            |            |            |            |
| Produce (Tx)          | No produced data                |   |   |   |            |            |            |            |
| Where: OW = open wire |                                 |   |   |   |            |            |            |            |

## Interpret the Indicators

See the figure and table that show how to interpret LED indicators.

### 1734-IB4D



44217

### Interpret LED Indicators Module Status

| Indication           | Probable Cause   | Recommended Action   |
|----------------------|--|--|
| <b>Module Status</b> |  |  |
| Off                  | No power applied to device.  | Apply power to device.   |
| Green                | Device operating normally.   | None.  |
| Flashing green       | Device needs commissioning due to configuration missing, incomplete, or incorrect. | Configure device properly.   |
| Flashing red         | Recoverable fault.   | 1. Cycle power to device.<br>2. If condition persists, replace device. |
| Red                  | Unrecoverable fault may require device replacement.                                | Replace device.  |
| Flashing red/green   | Device is in self-test.  | None.  |

**Interpret LED Indicators Network Status**

| <b>Indication</b>     | <b>Probable Cause</b>   | <b>Recommended Action</b>  |
|-----------------------|---|--|
| <b>Network Status</b> |   |  |
| Off                   | Device is not online.<br>– Device has not completed dup_MAC_id test.<br>– Device not powered – check Module Status indicator  | Apply power to device, wait for dup_MAC_id to complete, and correct, as needed.          |
| Flashing green        | Device is online but has no connections in the established state.   | None – device is in Idle or Program mode.  |
| Green                 | Device online and has connections in the established state.   | None.  |
| Flashing red          | One or more I/O connections in timed-out state.   | Check for I/O module failure, and correct, as needed.                                    |
| Red                   | Critical link failure – failed communication device. Device detected error that prevents it communicating on the network.   | Verify that adapter and terminal bases are properly installed, and reinstall, as needed. |
| Flashing red/green    | Communication faulted device – the device has detected a network access error and is in communication faulted state.<br>Device has received and accepted an Identify Communication Faulted Request – long protocol message. | Verify that adapter is properly installed, and reinstall, as needed.                     |

**Interpret LED Indicators I/O Status**

| <b>Indication</b> | <b>Probable Cause</b>      | <b>Recommended Action</b>          |
|-------------------|----------------------------|------------------------------------|
| <b>I/O Status</b> |                            |                                    |
| Off               | Input is in the off state. | None.                              |
| Yellow            | Input is in the on state.  | None.                              |
| Red               | Short circuit detected.    | Check I/O wiring or terminal base. |
| Flashing red      | Open wire detected.        | Check I/O wiring or terminal base. |

## Remove a Mounting Base

To remove a mounting base, you must first remove any installed module and the module that is installed in the base to the right.

1. For a module with a two-piece terminal base, use these steps; otherwise, use [step 2](#).
  - Remove the removable terminal block (RTB), if wired.
  - Unlatch the RTB handle on the I/O module.
  - Pull on the RTB handle to remove the RTB.
2. Press the module lock on the top of the module.
3. Pull on the I/O module to remove from the base.
4. Repeat steps 1, 2, 3, and 4 for the module to the right.
5. Lift straight up to remove.

## Specifications

### POINT I/O 24V DC 4-channel Digital Diagnostics Input Module – 1734-IB4D

| Attribute   | Value  |
|---|--|
| Module location   | 1734-TB, 1734-TBS, 1734-TOP, and 1734-TOPS bases   |
| POINTBus current, max                                   | 50 mA @ 5V DC  |
| Power dissipation, max                                  | 0.6 W @ 28.8V DC   |
| Thermal dissipation, max                                | 1.9 BTU/hr @ 28.8V DC  |
| Isolation voltage                                       | 50V DC (continuous), Reinforced insulation type<br>Tested at 1000V DC for 60 s, field-side to system                         |
| Field power bus<br>Supply voltage, nom<br>Voltage range | 24V DC<br>10...28.8V DC  |
| Dimensions HxWxL, approx.                               | 56 x 12 x 75.5 mm (2.2 x 0.47 x 2.97 in.)  |
| Terminal base screw torque                              | 0.8 Nm (7 lb-in)   |
| Keyswitch position                                      | 1  |
| Weight, approx.   | 36 g (1.27 oz)   |
| Reverse polarity protection                             | Yes  |
| On-state voltage (Von), min                             | 11V DC   |
| On-state voltage (Von), max                             | 28.8V DC (Vmax)  |
| On-state current (Ion), min                             | 2.0 mA   |
| On-state current (Ion), max                             | 15.0 mA (Imax)   |
| Off-state voltage (Voff), min                           | -3V DC   |
| Off-state voltage (Voff), max                           | 5V DC  |
| Off-state current (Ioff), max                           | 1.5 mA   |
| Input filter  | Each input independently settable in 1 $\mu$ s intervals (rounded to nearest 333 $\mu$ s).<br>Default value is 1000 $\mu$ s. |
| Off to on filter, min                                   | 0 $\mu$ s  |
| Off to on filter, max                                   | 65 535 $\mu$ s   |
| On to off filter, min                                   | 0 $\mu$ s  |
| Off to on filter, max                                   | 65 535 $\mu$ s   |

## 22 POINT I/O 24V DC 4-channel Discrete Input Module with Diagnostics

### Environmental Specifications

| Attribute                          | Value   |
|------------------------------------|---|
| Temperature, operating             | IEC 60068-2-1 (Test Ad, operating cold),<br>IEC 60068-2-2 (Test Bd, operating dry heat),<br>IEC 60068-2-14 (Test Nb, operating thermal shock):<br>0 °C < Ta < 55 °C (32 °F < Ta < 131 °F)   |
| Temperature, nonoperating          | IEC 60068-2-1 (Test Ab, unpackaged nonoperating cold),<br>IEC 60068-2-2 (Test Bb, unpackaged nonoperating dry heat),<br>IEC 60068-2-14 (Test Na, unpackaged nonoperating thermal shock):<br>-40...85 °C (-40...185 °F)                |
| Relative humidity                  | IEC 60068-2-30 (Test Db, unpackaged damp heat):<br>5...95% noncondensing  |
| Shock<br>operating<br>Nonoperating | IEC 60068-2-27 (Test Ea, unpackaged shock)<br>30 g peak acceleration<br>50 g peak acceleration  |
| Vibration                          | IEC 60068-2-6 (Test Fc, Operating): 5 g @ 10...500 Hz   |
| ESD Immunity                       | IEC 61000-4-2:<br>6 kV contact discharges<br>8 kV air discharges  |
| Radiated RF immunity               | IEC 61000-4-3:<br>10V/m with 1 kHz sine-wave 80% AM from 80...2000 MHz<br>10V/m with 200 Hz 50% Pulse 100% AM at 900 MHz<br>10V/m with 200 Hz 50% Pulse 100% AM at 1890 MHz<br>10V/m with 1 kHz sine-wave 80% AM from 2000...2700 MHz |
| EFT/B Immunity                     | IEC 61000-4-4:<br>±4 kV at 5 kHz on signal ports  |
| Surge transient immunity           | IEC 61000-4-5:<br>±1 kV line-line (DM) and ±2 kV line-earth (CM) on signal ports  |
| Conducted RF immunity              | IEC 61000-4-6:<br>10V rms with 1 kHz sine-wave 80% AM from<br>150 kHz...80 MHz  |
| Emissions                          | IEC 61000-6-4   |
| Enclosure type rating              | None (open-style)   |
| Wire size                          | 0.25... 2.5 mm <sup>2</sup> (22...14 AWG) solid or stranded copper wire rated at 75 °C (167 °F) or greater<br>1.2 mm (3/64 in.) insulation max  |
| Wire category                      | 1 – on signal ports <sup>(1)</sup>  |

<sup>(1)</sup> Use this Conductor Category information for planning conductor routing as described in the appropriate System Level Installation Manual. Also refer to Industrial Automation Wiring and Grounding Guidelines, publication [1770-4.1](#), for more information.

**Certifications**

| <b>Certification (When Product Is Marked)<sup>(1)</sup></b> | <b>Value</b>   |
|---|--|
| CE  | European Union 2014/30/EU EMC Directive, compliant with:<br>EN 61000-6-4; Industrial Emissions<br>EN 61131-2; Programmable Controllers (Clause 8, Zone A & B)<br>EN 61326-1; Measurement/Control/Laboratory use, Industrial requirements<br><br>European Union 2011/65/EU RoHS, compliant with:<br>EN 50581; Technical documentation |
| RCM   | Australian Radiocommunications Act, compliant with:<br>AS/NZS CISPR 11; Industrial Emissions   |
| KC  | Korean Registration of Broadcasting and Communications Equipment, compliant with:<br>Article 58-2 of Radio Waves Act, Clause 3   |
| EAC   | Russian Customs Union TR CU 020/2011 EMC Technical Regulation  |

<sup>(1)</sup> See the Product Certification link at <http://www.rockwellautomation.com/global/certification/overview.page> for Declarations of Conformity, Certificates, and other certification details.

## Rockwell Automation Support

Rockwell Automation provides technical information on the Web to assist you in using its products. At <http://www.rockwellautomation.com/support/>, you can find technical manuals, a knowledge base of FAQs, technical and application notes, sample code and links to software service packs, and a MySupport feature that you can customize to make the best use of these tools.

For an additional level of technical phone support for installation, configuration and troubleshooting, we offer TechConnect support programs. For more information, contact your local distributor or Rockwell Automation representative, or visit <http://www.rockwellautomation.com/support/>.

## Installation Assistance

If you experience a problem within the first 24 hours of installation, please review the information that's contained in this manual. You can also contact a special Customer Support number for initial help in getting your product up and running.

|                                 |  |
|---------------------------------|--|
| United States or Canada         | 1.440.646.3434   |
| Outside United States or Canada | Use the <a href="#">Worldwide Locator</a> at <a href="http://www.rockwellautomation.com/support/americas/phone_en.html">http://www.rockwellautomation.com/support/americas/phone_en.html</a> , or contact your local Rockwell Automation representative. |

## New Product Satisfaction Return

Rockwell Automation tests all of its products to ensure that they are fully operational when shipped from the manufacturing facility. However, if your product is not functioning and needs to be returned, follow these procedures.

|                       |   |
|-----------------------|---|
| United States         | Contact your distributor. You must provide a Customer Support case number (call the phone number above to obtain one) to your distributor to complete the return process. |
| Outside United States | Please contact your local Rockwell Automation representative for the return procedure.  |

## Documentation Feedback

Your comments will help us serve your documentation needs better. If you have any suggestions on how to improve this document, complete this form, publication [RA-DU002](#), available at <http://www.rockwellautomation.com/literature/>.

Rockwell Automation maintains current product environmental information on its website at <http://www.rockwellautomation.com/rockwellautomation/about-us/sustainability-ethics/product-environmental-compliance-page>.

Allen-Bradley, Rockwell Automation, POINT I/O, RSLogix 5000, and TechConnect are trademarks of Rockwell Automation, Inc. Trademarks not belonging to Rockwell Automation are property of their respective companies.

Rockwell Otomasyon Ticaret A.Ş., Kar Plaza İş Merkezi E Blok Kat:6 34752 İçerenköy, İstanbul, Tel: +90 (216) 5698400

[www.rockwellautomation.com](http://www.rockwellautomation.com)

### Power, Control and Information Solutions Headquarters

Americas: Rockwell Automation, 1201 South Second Street, Milwaukee, WI 53204-2496 USA, Tel: (1) 414.382.2000, Fax: (1) 414.382.4444  
Europe/Middle East/Africa: Rockwell Automation NV, Pegasus Park, De Kleitlaan 12a, 1831 Diegem, Belgium, Tel: (32) 2 663 0600, Fax: (32) 2 663 0640  
Asia Pacific: Rockwell Automation, Level 14, Core F, Cyberport 3, 100 Cyberport Road, Hong Kong, Tel: (852) 2887 4788, Fax: (852) 2508 1846

Publication 1734-IN029B-EN-E - July 2018

Supersedes Publication 1734-IN029A-EN-E - January 2007

Copyright © 2018 Rockwell Automation, Inc. All rights reserved.