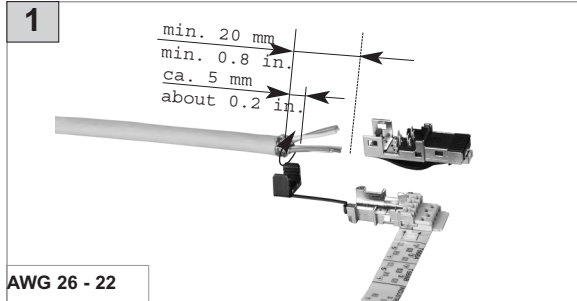


Installation Instructions

Bulletin 1585J RJ45 Insulation Displacement Connector (IDC)

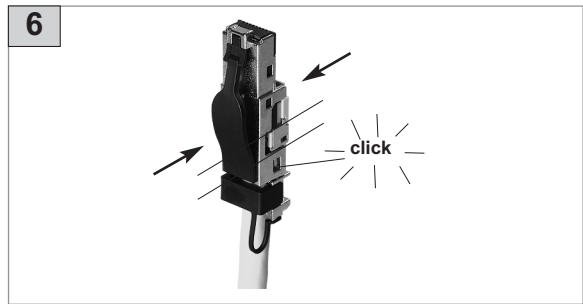
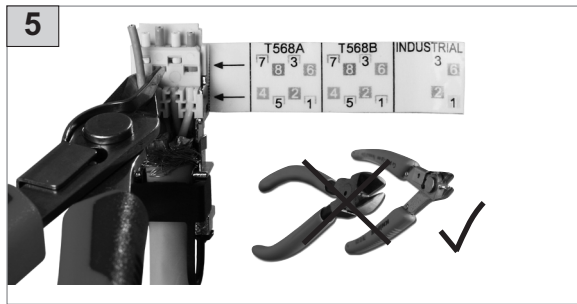
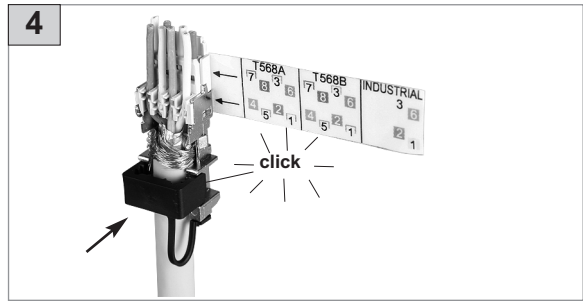
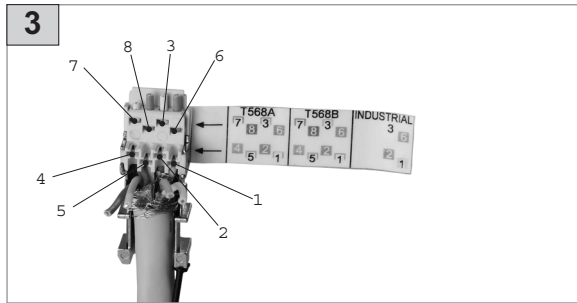
IMPORTANT: SAVE THESE INSTRUCTIONS FOR FUTURE USE.
Refer to the product catalog pages for additional information.

Mounting Information



2 PIN Assignments

PIN No.	T568B
1	WH-OG
2	OG
3	WH-GN
4	BU
5	WH-BU
6	GN
7	WH-BN
8	BN



Dismounting Information

