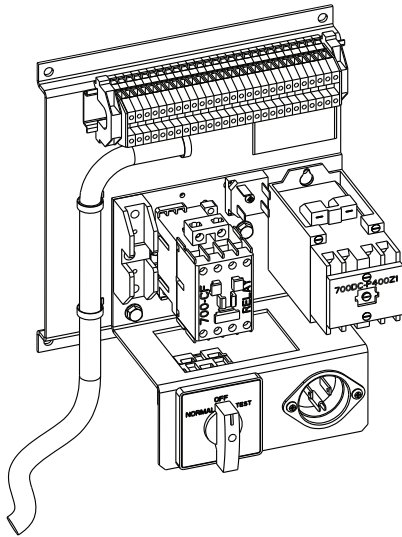


Medium Voltage OEM Components – Relay Control Panel

Bulletin Number 1503F



Handling

Carefully unpack the relay control panel and inspect it for damage that may have occurred during shipping. Immediately report any damage to the claims office of the carrier. Rockwell Automation will render reasonable assistance in resolving a damage claim.

Storage

If the panel is not installed immediately after receipt, store it in a clean, dry and dust-free environment. Humidity should not exceed 95%, non-condensing.

Identification

Verify the catalog number of the relay control panel.

Control Voltage	Contactors Type	Cat. No.
110/120V AC - 50/60 Hz	Electrically Held - 400 A	1503C-E4D
	Mechanical Latch - 400 A	1503C-M4D
	Electrically Held - 600 A or 800 A	1503C-E8D
	Mechanical Latch - 600 A or 800 A	1503C-M8D
220/230V AC - 50/50 Hz	Electrically Held - 400 A	1503C-E4E
	Electrically Held - 600 A or 800 A	1503C-E8E

Installation

See OEM Starter Frame and Components Installation Instructions, publication [1503-IN050](#), for detailed information on the relay control panel.

IMPORTANT The Rockwell Automation relay control panel helps to make sure reliable operation of the contactor within its published specifications. The relays break the DC current drawn by the closing, holding, and trip coils. The relays coordinate their pick-up and drop-out voltages with the pick-up and drop-out voltages of the contactor, which helps to make sure reliable operation of the circuit in undervoltage conditions.

Rockwell Automation maintains current product environmental information on its website at <http://www.rockwellautomation.com/rockwellautomation/about-us/sustainability-ethics/product-environmental-compliance.page>.

Allen-Bradley, Rockwell Automation, and Rockwell Software are trademarks of Rockwell Automation, Inc. Trademarks not belonging to Rockwell Automation are property of their respective companies.

Rockwell Otomasyon Ticaret A.Ş., Kar Plaza İş Merkezi E Blok Kat:6 34752 İçerenköy, İstanbul, Tel: +90 (216) 5698400

www.rockwellautomation.com

Power, Control and Information Solutions Headquarters

Americas: Rockwell Automation, 1201 South Second Street, Milwaukee, WI 53204-2496 USA, Tel: (1) 414.382.2000, Fax: (1) 414.382.4444

Europe/Middle East/Africa: Rockwell Automation NV, Pegasus Park, De Kleetlaan 12a, 1831 Diegem, Belgium, Tel: (32) 2 663 0600, Fax: (32) 2 663 0640

Asia Pacific: Rockwell Automation, Level 14, Core F, Cyberport 3, 100 Cyberport Road, Hong Kong, Tel: (852) 2887 4788, Fax: (852) 2508 1846

Publication 1503F-IN003C-EN-P - July 2019

Supersedes Publication 1503F-IN003B-EN-P - January 2015

Copyright © 2019 Rockwell Automation, Inc. All rights reserved. Printed in Canada.