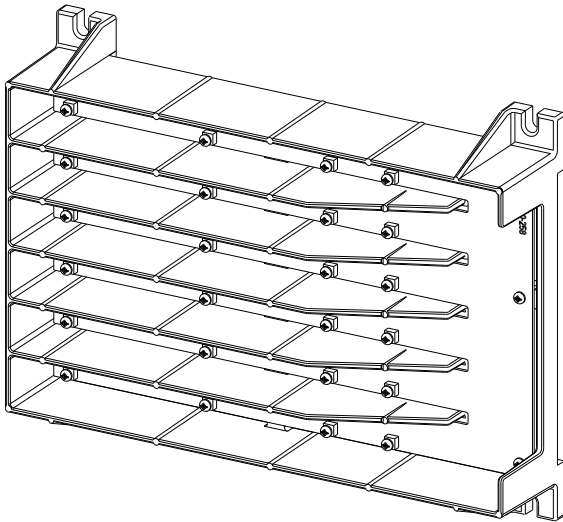


# Medium Voltage SMC OEM Components – Voltage Sensing Board

Bulletin 1503E, 7703E



## Handling

Carefully unpack the item and inspect it for damage that may have occurred during shipping. Immediately report any damage to the claims office of the carrier. Rockwell Automation will render reasonable assistance in resolving a damage claim.

## Storage

If the voltage sensing board will not be installed immediately after receipt, store them in a clean, dry and dust-free environment. Humidity should not exceed 95%, non-condensing.

## Identification

### Voltage Sensing Board Catalog Number

Bulletin Number	Line Voltage (3 PH, 50/60 Hz)	Cat. No.
1503E	800...1500V	1503E-VSZ1
	1501...2500V	1503E-VSA
	2501...4800V	1503E-VSE
	4801...7200V	1503E-VSK
7703E	10...12 kV	7703E-VSM
	12.1...14.4 kV	1503E-VSK

# Installation

---



**ATTENTION:** Resistors are fragile and are susceptible to damage from improper handling. As a result, resistors should be tested after installation. Failure to verify proper functioning of the resistors before commissioning the SMC may result in injury to personnel or damage to equipment.

---

The voltage sensing board is preinstalled on medium voltage SMC OEM frames (items 7703E-FRxx).

For Bulletin 1503E components, see Medium Voltage SMC OEM Components Installation Instructions, publication [1503E-IN001](#), for detailed instructions for the voltage sensing board.

For Bulletin 7703E components, see Medium Voltage SMC OEM Components (10...15 kV) Installation Instructions, publication [7703E-IN001](#), for detailed instructions for the voltage sensing board.

Rockwell Automation maintains current product environmental information on its website at <http://www.rockwellautomation.com/rockwellautomation/about-us/sustainability-ethics/product-environmental-compliance.page>.

Allen-Bradley, Rockwell Automation, Rockwell Software, and SMC-50 are trademarks of Rockwell Automation, Inc. Trademarks not belonging to Rockwell Automation are property of their respective companies.

Rockwell Otomasyon Ticaret A.Ş., Kar Plaza İş Merkezi E Blok Kat:6 34752 İçerenköy, İstanbul, Tel: +90 (216) 5698400

**[www.rockwellautomation.com](http://www.rockwellautomation.com)**

---

## Power, Control and Information Solutions Headquarters

Americas: Rockwell Automation, 1201 South Second Street, Milwaukee, WI 53204-2496 USA, Tel: (1) 414.382.2000, Fax: (1) 414.382.4444

Europe/Middle East/Africa: Rockwell Automation NV, Pegasus Park, De Kleetlaan 12a, 1831 Diegem, Belgium, Tel: (32) 2 663 0600, Fax: (32) 2 663 0640

Asia Pacific: Rockwell Automation, Level 14, Core F, Cyberport 3, 100 Cyberport Road, Hong Kong, Tel: (852) 2887 4788, Fax: (852) 2508 1846

Publication 1503E-IN006C-EN-E - June 2019

Supersedes Publication 1503E-IN006B-EN-E - May 2008

Copyright © 2019 Rockwell Automation, Inc. All rights reserved. Printed in Canada.