



Electrical Interlock Kit

(Cat 1495-N34 - 1 N.O. and 1 N.C. Early Break contacts for use with 30A, 60A, 100A and 600A disconnect switches)

(Cat 1495-N35 - 2 N.O. and 2 N.C. Early Break contacts for use with 30A, 60A, 100A and 600A disconnect switches)

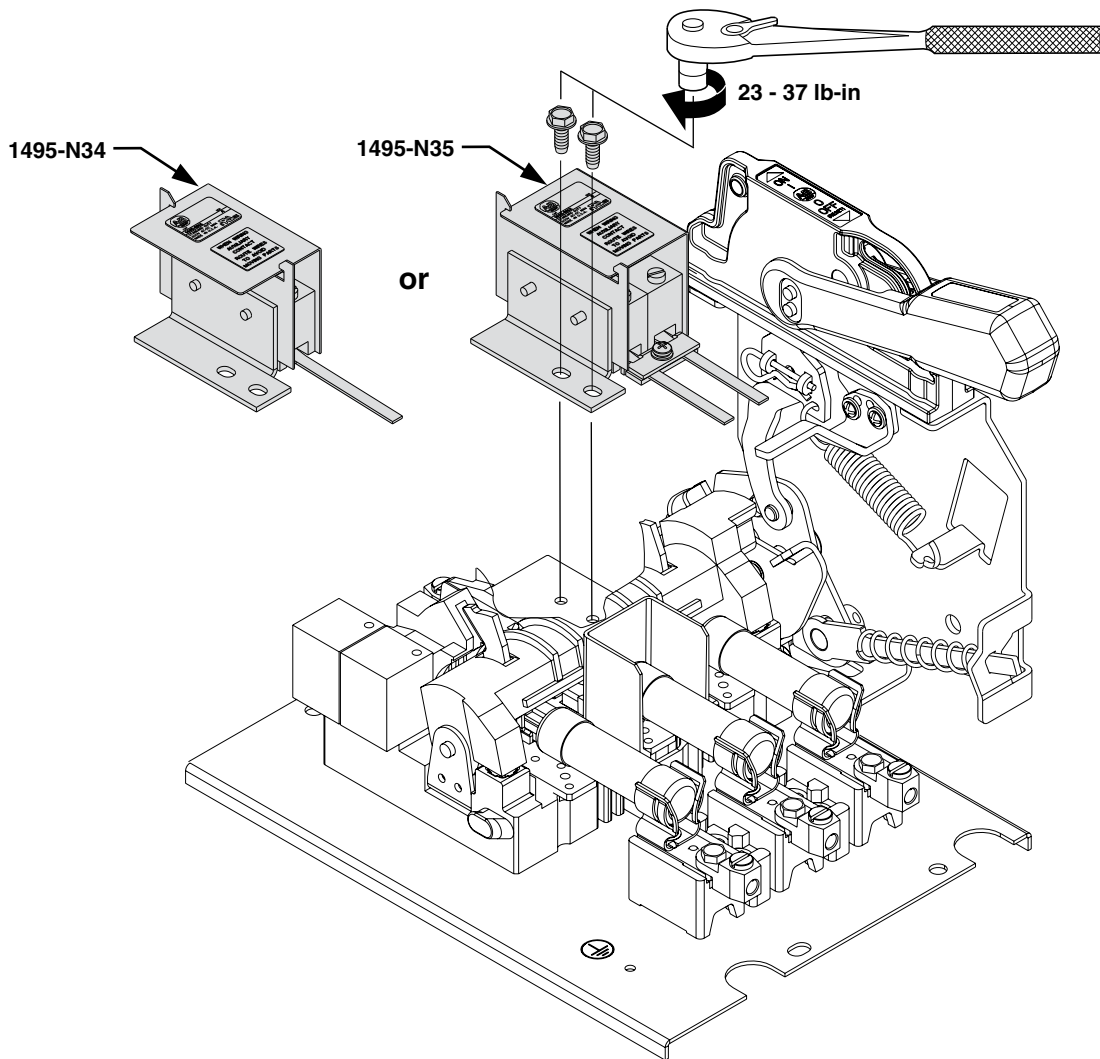
(Cat 1495-N36 - Adapter kit to mount electrical interlock on 600A disconnect switches)



ATTENTION: To prevent electrical shock, disconnect from power source before installing or servicing.

Installation

30A, 60A, 100A Disconnect Switch



600A Disconnect Switch

