

# Installation Instructions

## Bulletin 1485 DeviceBox™ Tap

**IMPORTANT:** This document provides installation instructions for the 8-Port DeviceBox tap. Also attached are wiring diagrams and mounting dimensions for the 2- and 4-Port DeviceBox™.

### Features

- Passive
- 2-, 4- or 8-Port
- Cage clamp terminal strip connections
- Cord grip openings

### Description

DeviceBox taps are passive sealed junction boxes offered in a 2-, 4-, or 8-port configuration. DeviceBox taps offer direct connection onto a trunk line for up to 8 physical nodes using cage clamp terminal strip connections.

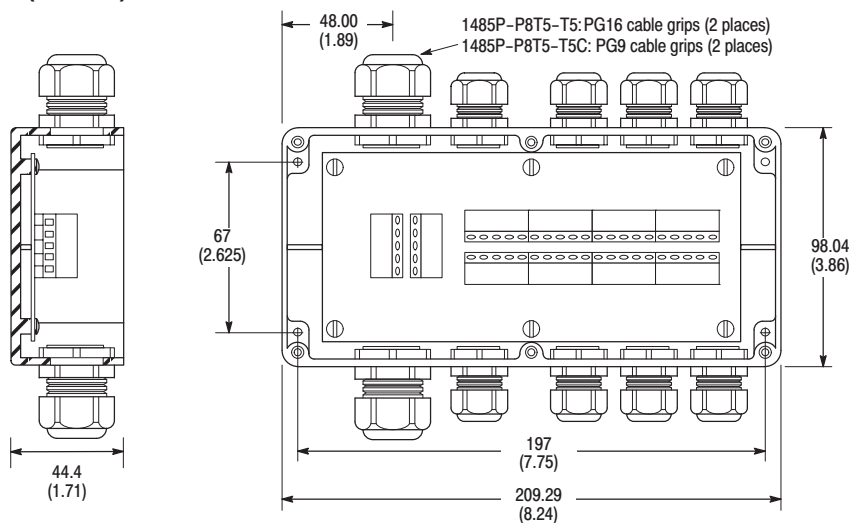
### Specifications

<b>Storage Temperature</b>	-40°C to +85°C (-40°F to 185°F)
<b>Operating Humidity</b>	5%-95% relative (noncondensing)
<b>Washdown Rating</b>	1200 PSI (8270 kPa) @ 60°C (140°F) NEMA 3, 4X, 12 and 13
<b>Operating Temperature</b>	-25°C to +70°C (-13°F to 158°F)
<b>Housing Material</b>	Black polyester

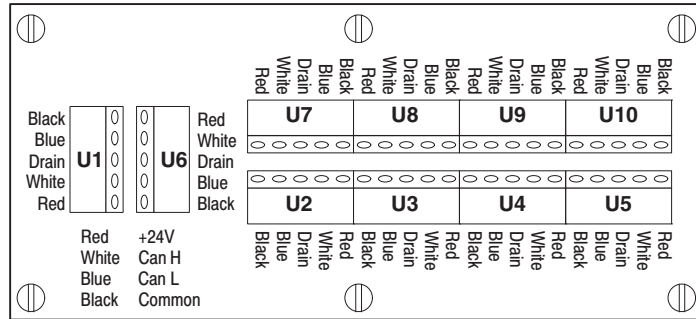
### Torque Settings

Item	Cable Description	Representative Allen-Bradley Catalog Number	Torque N•m (lb•in)	Number of Turns After Seating
PG16 Cable Grip Gland Nut	Thick cable types	1485C-P1A**, 1485C-P1BS**, 1485C-P*N5**, 1485C-P*M5**, 1485C-P*W5**, 1485C-P*Z5**, 1485CF-series, 1485CS-series	3.05-3.25 (27-29)	¾ to 1
PG16 Cable Grip Body with O-ring	—	—	3.39-4.52 (30-40)	½ to 1
PG16 Hex Sealing Plug with O-ring	—	—		
PG9 Cable Grip Gland Nut	Thin cable types	1485C-P1C**, 1485C-P1G**, 1485C-P1GF**, 1485R-series, 1485RS-series, 1485G-series, 1485GS-series, 1485GF-series, 1485K-series	1.24-1.47 (11-13)	½ to ¾
PG9 Cable Grip Body with O-ring	—	—	2.26-3.39 (20-30)	½ to ¾
PG9 Hex Sealing Plug with O-ring	—	—		
Top Cover Screws	—	—	0.68-1.16 (6-10)	—

**Figure 1: 8-Port DeviceBox Tap**  
**Part Number: 1485P-P8T5-T5**  
**Dimensions—mm (inches)**

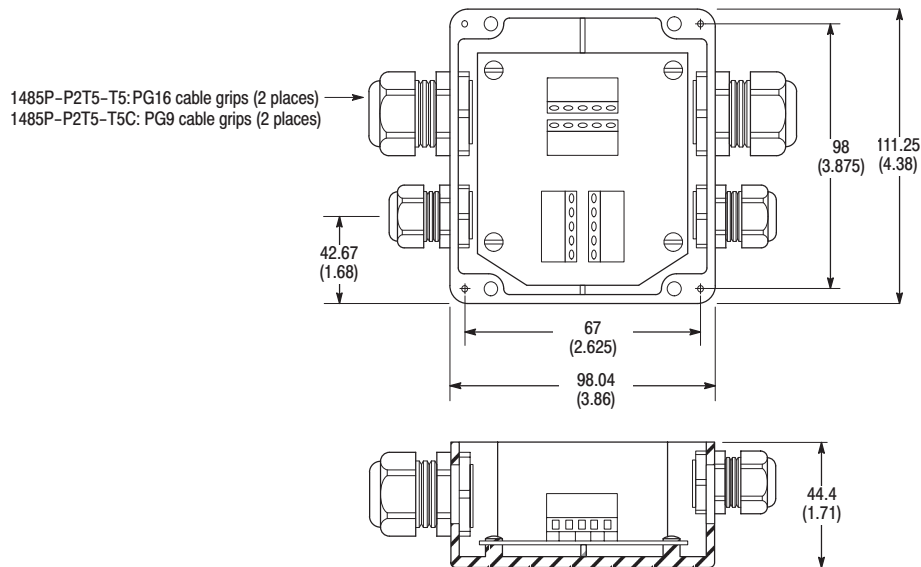


**Figure 2: 8-Port DeviceBox Tap  
Wiring Diagram**

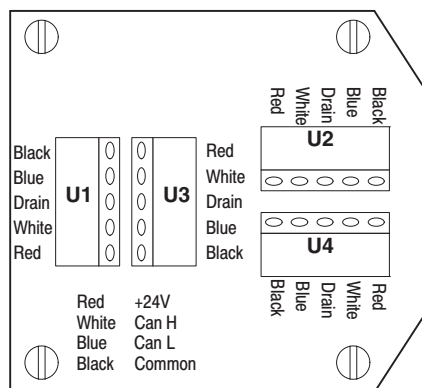


**Note:** Trunk Connections: U1, U6  
Drop Connections: U2, U4, U5, U7, U8, U9, U10

**Figure 3: 2-Port DeviceBox Tap  
Part Number: 1485P-P2T5-T5  
Dimensions—mm (inches)**

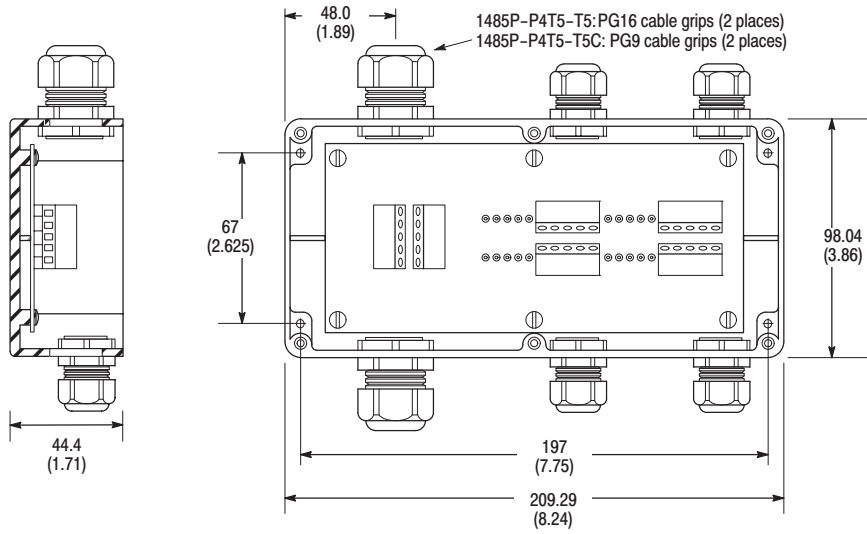


**Figure 4: 2-Port DeviceBox Tap  
Wiring Diagram**

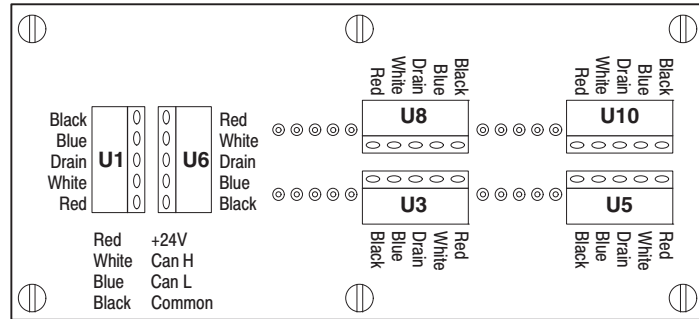


**Note:** Trunk Connections: U1, U3  
Drop Connections: U2, U4

**Figure 5: 4-Port DeviceBox Tap**  
**Part Number: 1485P-P4T5-T5**  
**Dimensions—mm (inches)**

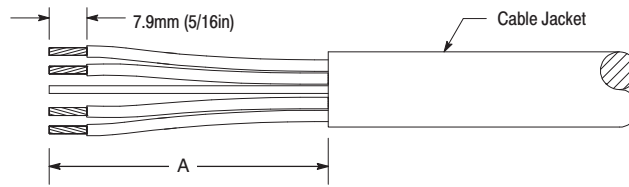


**Figure 6: 4-Port DeviceBox Tap**  
**Wiring Diagram**



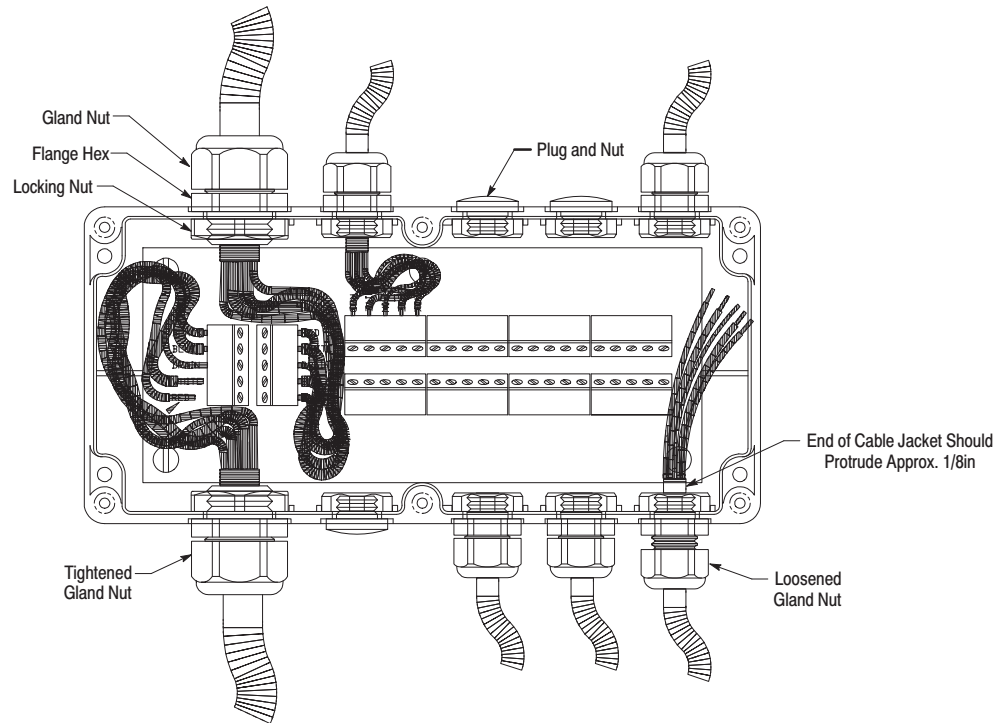
**Note:** Trunk Connections: U1, U6  
 Drop Connections: U8, U3, U10, U5

**Figure 7: Recommended Cable Stripping for Installation into DeviceBox Tap**



	Dimension "A"
Trunk Cable	102mm (4in)
Drop Cable	51mm (2in)

**Figure 8: Wiring 8-Port DeviceBox Tap**



1. To install trunk cable into DeviceBox tap cut and strip gray PVC cable back approximately 4 inches (see Figure 7) and insert through large cable gland.
  2. Loosen gland nut and insert cable until approximately 1/8 inch of cable jacket protrudes.
  3. Then firmly tighten gland nut to provide strain relief and sealing. Caution: The flange hex must be held with the cable gland wrench during tightening.
  4. The bare wire ends should be firmly twisted to eliminate loose strands and each lead looped approximately as shown, to allow insertion into the clamping cavity of the terminal block. (See Figure 2 for color codes.)
  5. To attach cable to terminal strips, press down on cage clamp, insert wire and release cage clamp. Repeat process for remaining four wires.
  6. To install drop cable into DeviceBox tap, cut and strip drop cable back approximately 2 inches (see Figure 7). Note: Repeat previous trunk cable instructions.
  7. After all cables are terminated, the cover should be installed and securely tightened to ensure washdown rating. Seal unused drop positions with nylon plugs, o-ring seals, and nuts (included in accessory kit).
- Follow same installation instructions for 2- and 4-port DeviceBox taps.



**ATTENTION:** Be certain to use insulating tubing (included in accessory kit) on bare drain wire.

All external wiring should conform to the national electric code and applicable local codes.