

Detailed Installation Instructions

KwikLink™ General Purpose Connector and End Cap

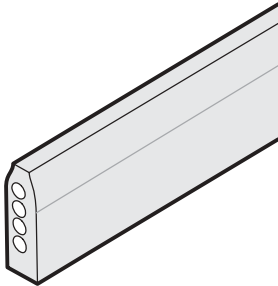
IMPORTANT: SAVE THESE INSTRUCTIONS FOR FUTURE USE.

Overview

The KwikLink General Purpose connector and cabling system for DeviceNet™ is comprised of three main media components: KwikLink flat cable, KwikLink General Purpose micro drop connectors, and KwikLink General Purpose flat cable end caps. This document provides detailed instructions for installing both the KwikLinkFX micro drop connectors and flat cable end caps on the KwikLink flat cable. Additional information and installation considerations for your network can be found in the DeviceNet Cable System Planning and Installation Manual, Allen-Bradley publication DN-6.7.2.

Instructions for Installing KwikLink General Purpose Connector (1485P-K1E4-R5)

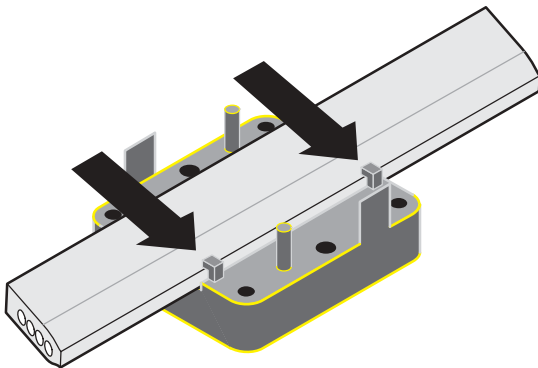
Install KwikLink cable with the keyed edge of the cable on the top.



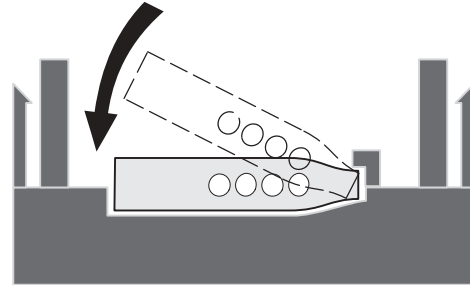
IMPORTANT: KwikLink General Purpose connectors are designed for use with PVC flat cables (AB part numbers 1485C-P1Kxxx, 1485C-P1Gxxx, and 1485C-P1Lxxx).

Follow the steps below to properly install the KwikLink General Purpose connector:

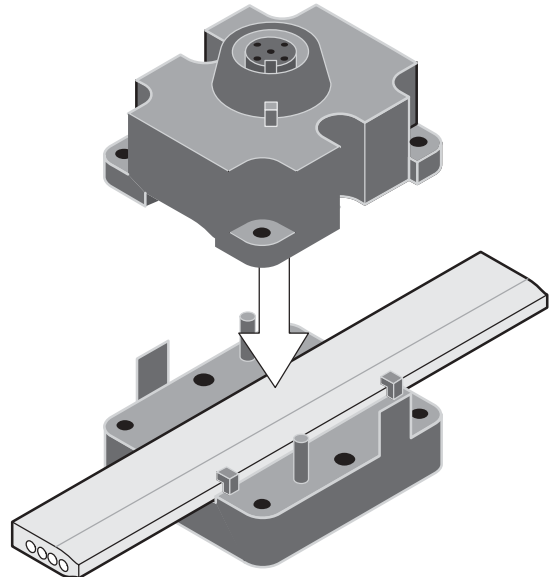
1. Position the flat cable into the connector base such that the keyed edge is positioned under the two locating tabs as shown below:



2. Ensure that the cable is fully seated in the cable base by pressing the nonkeyed edge of the cable into position so that it lays flat inside the cable channel of the connector base.



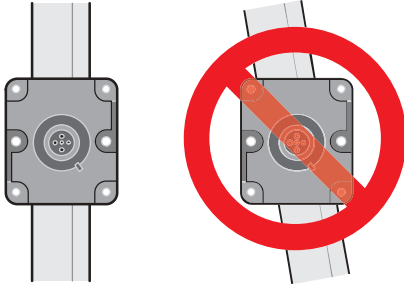
3. Orient the connector such that the keying of the connector top and cable are aligned. Note that the connector keyway locating tab will point toward the keyed edge of the flat cable.
4. Once the connector is properly aligned, gently push the connector top onto the connector base until the retaining clips latch, holding the connector top in place.



5. Make sure the cable is straight before moving on to Step 6.



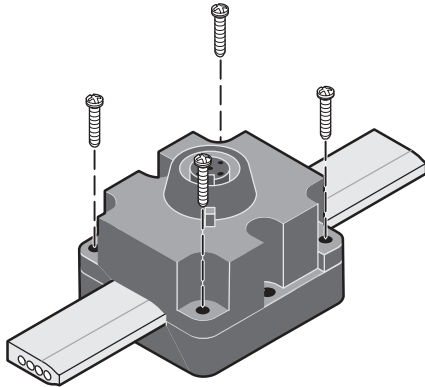
ATTENTION: The connector should not be removed once it has been installed. Determine the exact placement of the connector **before** completing installation.



6. Using the four screws provided, install and tighten. Take care to avoid stripping; ample torque should be 10–12 inch–lbs (1.1–1.3 Nm).

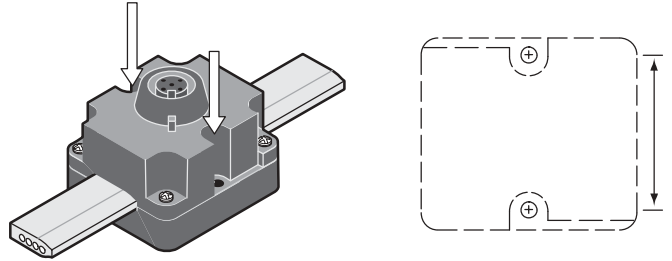


ATTENTION: Over tightening screws can compromise the electrical connection and degrade the connector's sealing performance.



7. Once the connector is installed, micro connector drop cables can be installed. For flat media connections, the 1485K–series of unshielded drop cables is recommended. 1485R– or 1485G– series standard (thin) shielded drop cables may also be used.

8. (Optional) Mount connector to flat surface using mounting holes provided. Mounting holes designed to accept standard 8–32 or M4 screws.



Additional Considerations:

- When used in flexing applications, the cable must be secured to a solid reference with mounting hardware 10–15cm (4–6 in) from the connector.
- Installation of connectors is recommended only at temperatures between 0°C – 50°C (32°F – 122°F).
- Recommended distance between cable mounts is 3–5m (10–16 ft). For flat cable mounting, use flat cable mount 1485A–FCM.
- When running flat cable into an enclosure, use flat cable gland 1485A–CAD.
- To terminate at the end of a DeviceNet network using KwikLink General Purpose connectors, use micro terminator 1485A–T1D5.
- To seal the end of a flat cable run when using KwikLink General Purpose connectors, use cable end seal 1485A–KCAP.

Instructions for Installing a Flat Cable End Cap (1485A-KCAP)

1. Place keyed flat cable firmly into mating rubber end seal.

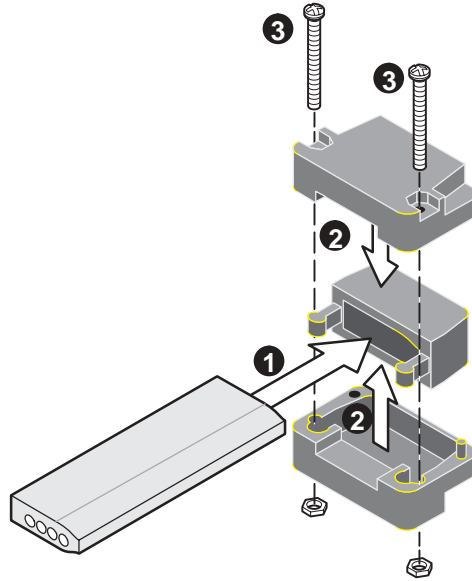


ATTENTION: Cable and rubber end seal keyways must be aligned to ensure intended sealing characteristics are maintained.

2. Install cable/seal assembly between housing components as shown. Seal assembly should fit firmly into shaped housing recess.
3. Secure the assembly with mating screws and nuts provided. Note that mounting nut should fit into recessed area on outside of housing components. Tighten screws to 14–16 inch-lbs (1.6–1.8 Nm).



ATTENTION: Over tightening screws can compromise end cap's sealing performance.



www.rockwellautomation.com

Power, Control and Information Solutions Headquarters

Americas: Rockwell Automation, 1201 South Second Street, Milwaukee, WI 53204-2496 USA, Tel: (1) 414.382.2000, Fax: (1) 414.382.4444

Europe/Middle East/Africa: Rockwell Automation, Vorstlaan/Boulevard du Souverain 36, 1170 Brussels, Belgium, Tel: (32) 2 663 0600, Fax: (32) 2 663 0640

Asia Pacific: Rockwell Automation, Level 14, Core F, Cyberport 3, 100 Cyberport Road, Hong Kong, Tel: (852) 2887 4788, Fax: (852) 2508 1846

Publication 1485-IN001A-EN-P, January 2003