



Powermonitor 3000 Product Upgrade Kit

Upgrade Kit Contents

This kit contains the following items:

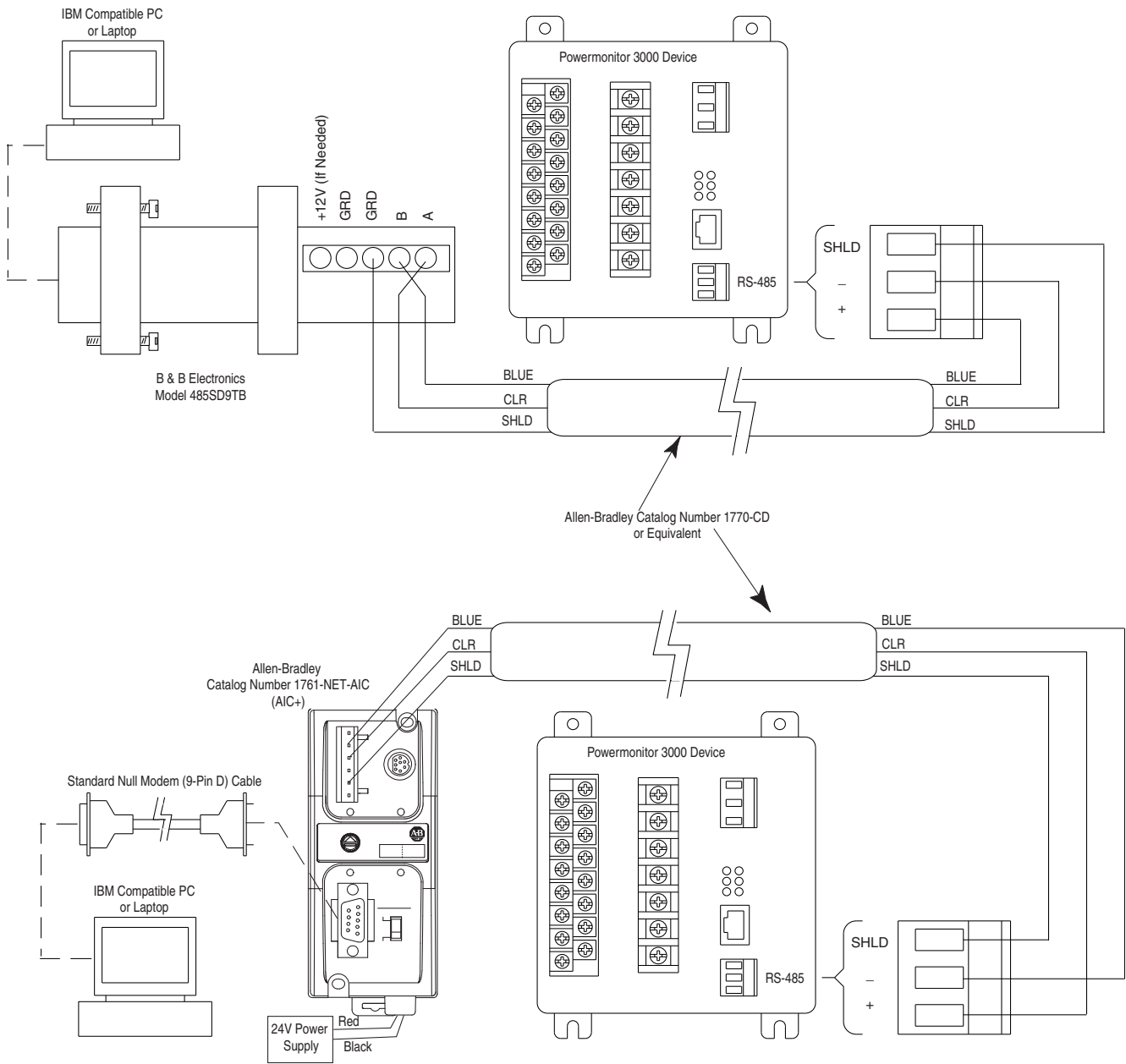
- A CD containing files to upgrade your 1404-M5 to an M6; M5 to an M8; or M6 to an M8. The CD label lists serial numbers (WIN) of devices that can be upgraded with this CD.
- A catalog number label for each upgrade that you have purchased.
- This Installation Instruction sheet.

Perform the following steps to upgrade the model of your Powermonitor 3000:

1. Some Powermonitor 3000 logs and captures are erased during the firmware upgrade process. If you need any information currently stored in the trend log, min/max log, event log, load factor log or oscillograph captures, you need to extract this information from the Powermonitor 3000 before beginning the upgrade process.
2. Connect an RS-485/RS-232 converter between your PC and the native RS-485 communications port on the Powermonitor 3000. Figure 1 shows two connection examples. Any RS-232/RS-485 converter that supports send data control (automatic detection and control of direction of internal RS-485 driver) can be used. Examples include B&B Electronics model 485SD9TB and Allen-Bradley catalog number 1761-NET-AIC. Do not use RS-232/RS-485 converters that use the RTS handshake line to control direction of the internal RS-485 driver. You may need to apply external +12V power to the B&B converter when using some laptops.
3. Copy the contents of the CD to your local drive or work directly from the CD. Run the batch file *upgrade.bat* to begin the download. Some older devices may require a power cycle to begin the download process.
4. The download will take approximately six minutes. The green LED's on the Master Module should blink and an indication of progress should appear on your PC monitor during download.
5. Once the progress bar reaches 100%, wait until the Module Status LED is the only LED illuminated (up to 30 seconds).
6. If your PC did not indicate any error messages and the Master Module status LED is solid green, the upgrade was successful.
7. Apply the catalog number label included in the upgrade kit to a blank area on the Master Module nameplate (the white label on the side of the Master Module which includes a barcode). This label must be affixed to the unit in the event the device is returned to Allen-Bradley under warranty.
8. Repeat steps 1 through 7 for each device to be upgraded.

Figure 1 Connecting a PC to a Powermonitor 3000

2 Powermonitor 3000 Product Upgrade Kit



Frequently Asked Questions

Q: Once I have upgraded my product to an M8, are future M8 firmware updates free?

A: Yes. The latest firmware for each 1404 model is available on the PEMS website (www.ab.com/PEMS). You can download the latest firmware for your model and install it for free. If you prefer Allen-Bradley to install the firmware, there is a service charge.

Q: I have several Ethernet M6 devices currently running on my network. Can I perform the Powermonitor 3000 product upgrade over Ethernet?

A: No. The model upgrade must be performed using the native RS-485 communication port.

Q: If I upgrade my M5 to an M6, can I upgrade the same unit to an M8 in the future?

A: Yes. Contact your local Rockwell Automation representative or distributor to order the M6 to M8 upgrade kit.

Q: After I perform the product upgrade, do I need the CD for future firmware updates?

A: No. If a newer version of firmware becomes available, you can update your product with the standard firmware file. For example, if you upgraded your M5 with V1.13 to an M8 with V2.08 and in the future M8 V2.18 became available, you can perform the firmware update using the M8 V2.18 firmware file available to the public from our web site.

Q: I have just upgraded my M5 to an M6, has the accuracy class of the device changed?

A: No. The revenue accuracy class remains the same. If your Powermonitor 3000 was shipped from the factory as a Class 0.5 device, it remains a Class 0.5 device after the upgrade. If your Powermonitor 3000 was shipped from the factory with Class 1 revenue meter accuracy, it will see an improvement in accuracy after the upgrade, but is still only verified as a Class 1 device. The accuracy class is indicated on a label located on the side of the Master Module. The accuracy class is also indicated on the shipping carton, via the Display Module (Display - Status - Accuracy Class), and via communications 'selftest/diagnostic' results table with Master Modules containing firmware V2.xx and higher.

www.rockwellautomation.com

Power, Control and Information Solutions Headquarters

Americas: Rockwell Automation, 1201 South Second Street, Milwaukee, WI 53204-2496 USA, Tel: (1) 414.382.2000, Fax: (1) 414.382.4444

Europe/Middle East/Africa: Rockwell Automation, Vorstlaan/Boulevard du Souverain 36, 1170 Brussels, Belgium, Tel: (32) 2 663 0600, Fax: (32) 2 663 0640

Asia Pacific: Rockwell Automation, Level 14, Core F, Cyberport 3, 100 Cyberport Road, Hong Kong, Tel: (852) 2887 4788, Fax: (852) 2508 1846

Publication 1404-IN008A-EN-P - August 2002

PN 40055-214-01(1)

Copyright © 2002 Rockwell Automation. All rights reserved. Printed in the U.S.A.