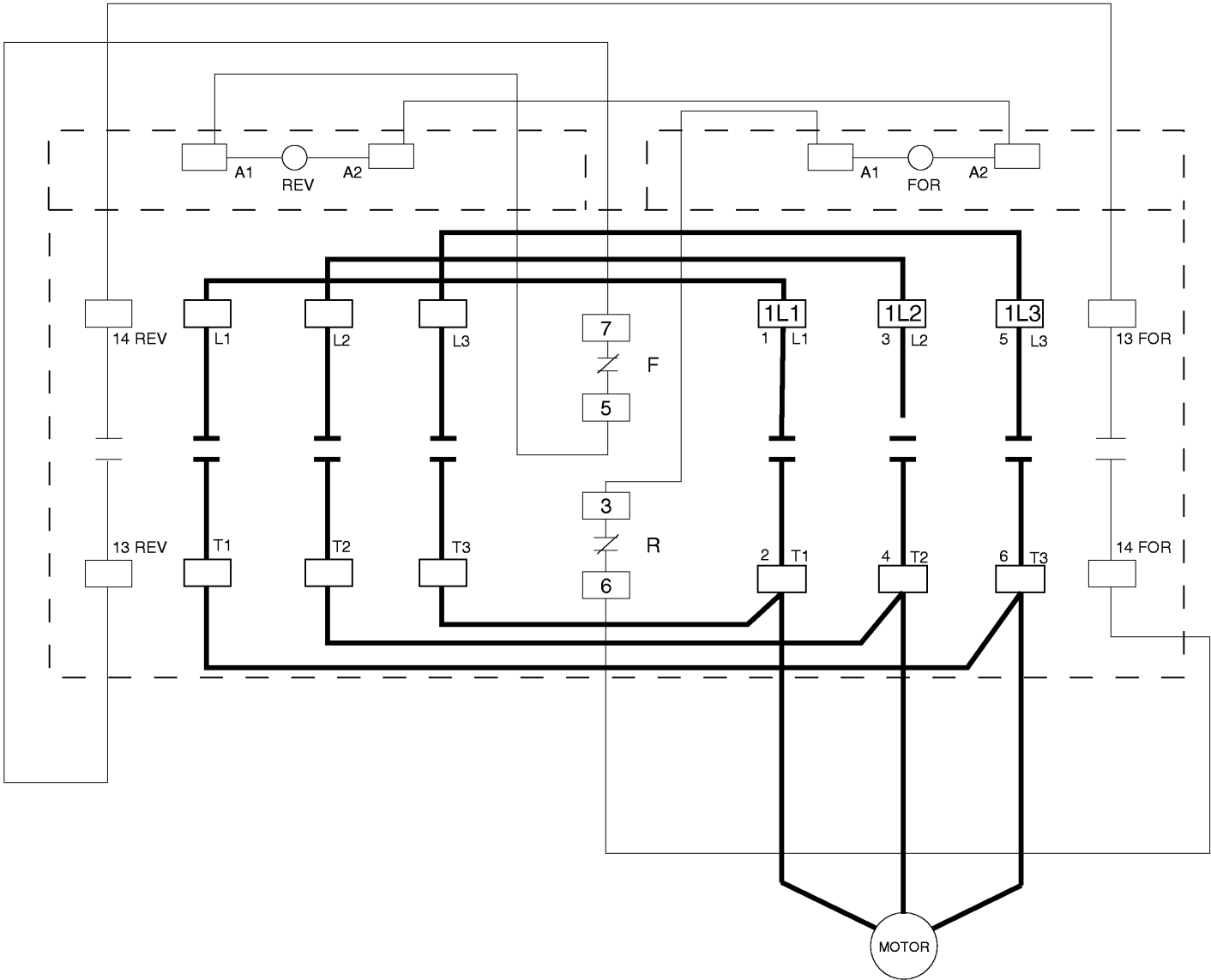




WIRING DIAGRAM



Note: Maintain this equipment in accordance with guidelines of NFPA-70B, Electrical Equipment Maintenance.

Additional control circuit over-current protection is required. Refer to the National Electrical Code. The current ratings of the control circuit conductors furnished with this device is 15 amp. Use 75°C CU wire only.

The "REV" - "FOR" contactors are electrically and mechanically interlocked.