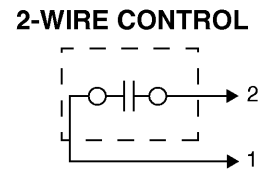
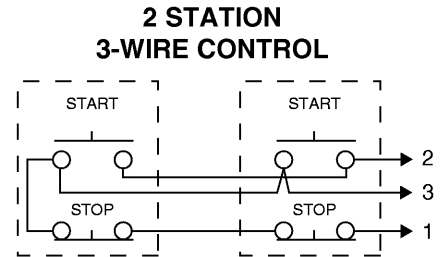
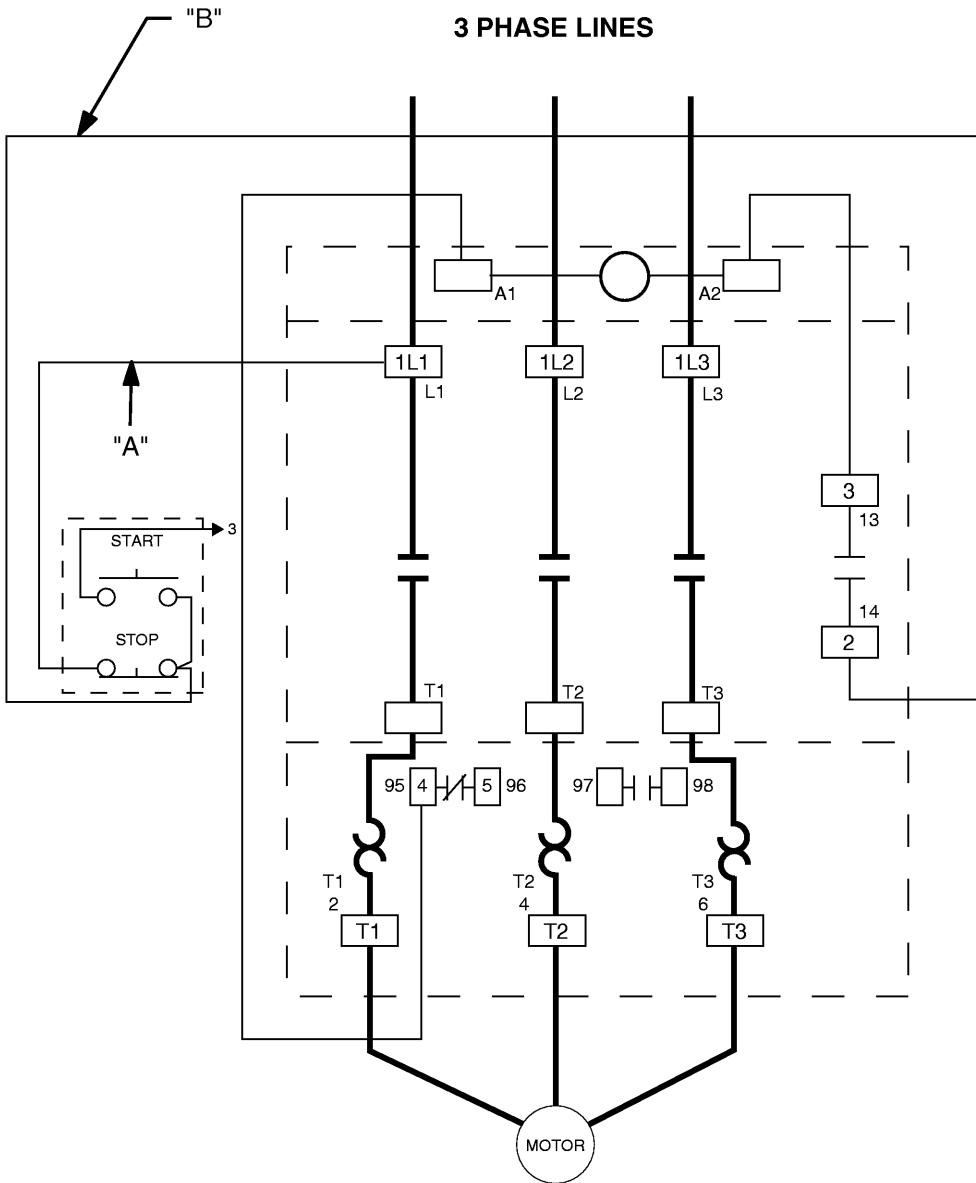




# BULLETIN 309, MAGNETIC CONTROLLER, SIZE \_\_\_\_\_

CAT \_\_\_\_\_, SER \_\_\_\_\_, SIZE \_\_\_\_\_, NEMA TYPE \_\_\_\_\_

## WIRING DIAGRAM



### SEPARATE CONTROL CIRCUIT

When the controller coil is to operate on a voltage other than line voltage, check coil rating for compatibility and change coil if necessary. Disconnect wires "A" and "B" from lines L1 and L2. Connect wires "A" and "B" to the separate control source. Refer to the National Electrical Code for control circuit disconnection requirements.

**NOTE:** Additional control circuit overcurrent protection may be required. Refer to the National Electrical Code. The current rating of the control circuit conductors furnished with this device is 15 Amps.

Maintain this equipment in accordance with guidelines of NFPA-70B, Electrical Equipment Maintenance.

Select the motor branch circuit overcurrent protection in accordance with the National Electrical Code or the Canadian Electrical Code; except, use fuses only.