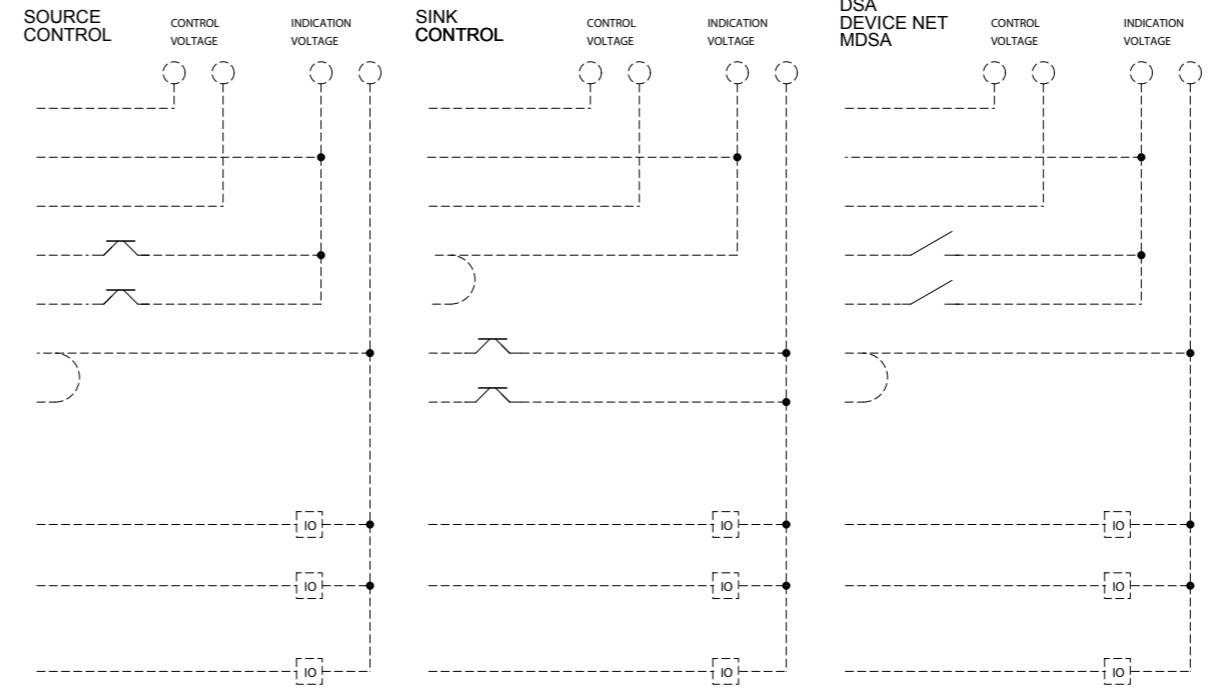
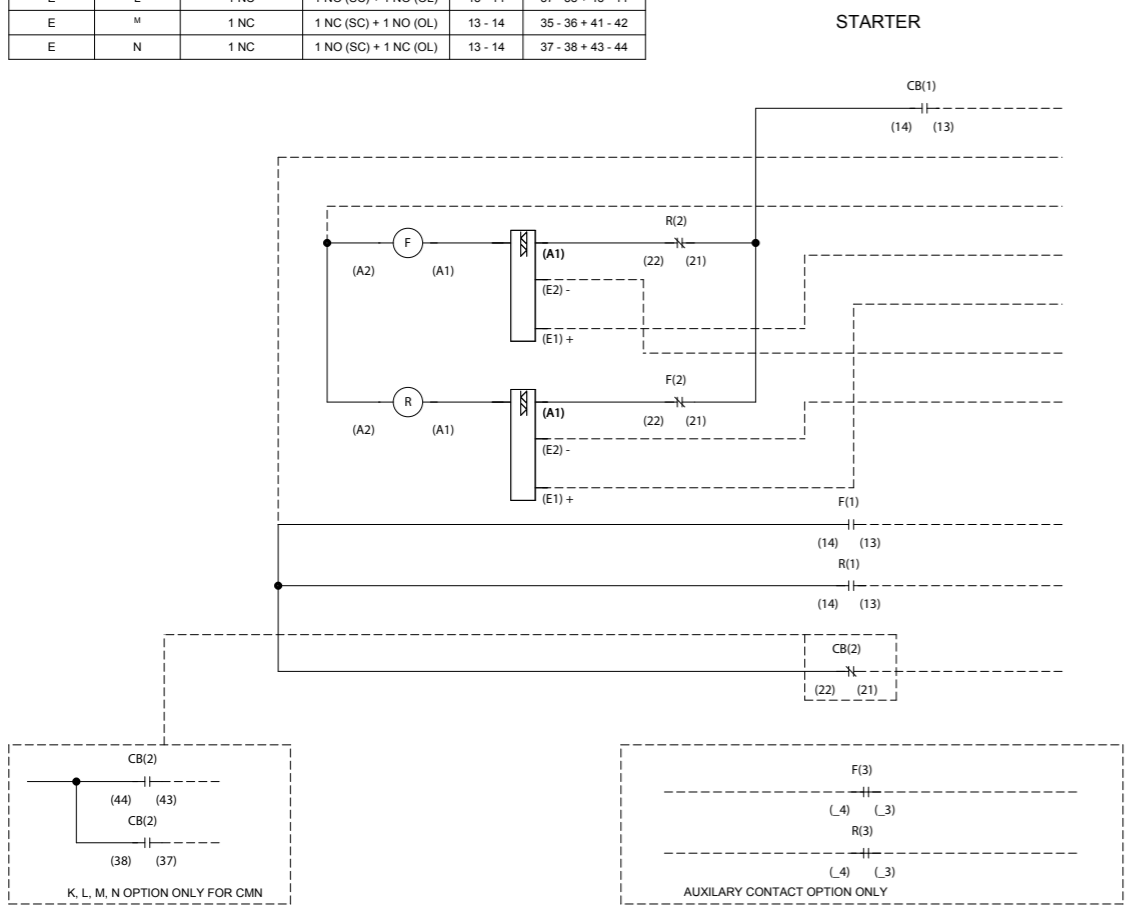
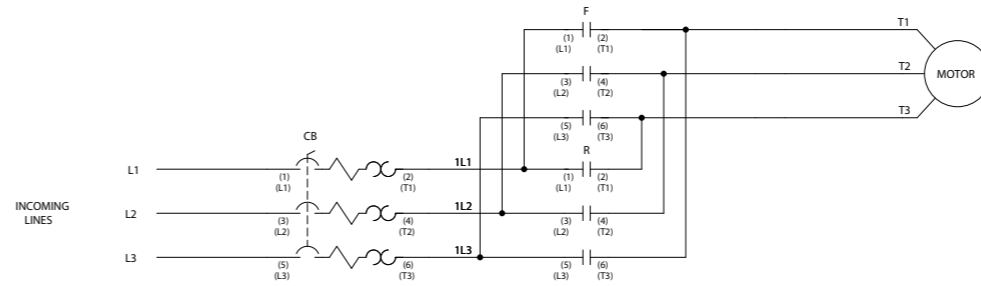


| BUL 103 & BUL 107 AUX CONTACTS FOR 140-CMN CIRCUIT BREAKERS | | | | | |
|---|-----------|--------------|-----------------------|-------------------|-------------------|
| Last Characters in Cat. No. (103S-KTD2-GC40CK) | | Aux Contacts | Trip Contacts | Terminal Markings | |
| 1 st CHAR | 2 nd CHAR | | | CB (1) | CB (2) |
| X | | -- | -- | -- | -- |
| C | | 1 NO + 1 NC | -- | 13 - 14 | 21 - 22 |
| D | | 2 NO | -- | 13 - 14 | 23 - 24 |
| C,D | K | 1 NO | 1 NC (SC) + 1 NC (OL) | 13 - 14 | 41 - 42 + 35 - 36 |
| C,D | L | 1 NO | 1 NO (SC) + 1 NO (OL) | 13 - 14 | 43 - 44 + 37 - 38 |
| C,D | M | 1 NO | 1 NO (SC) + 1 NC (OL) | 13 - 14 | 43 - 44 + 37 - 38 |
| C,D | N | 1 NO | 1 NO (SC) + 1 NO (OL) | 13 - 14 | 41 - 42 + 35 - 36 |
| E | K | 1 NC | 1 NC (SC) + 1 NC (OL) | 13 - 14 | 35 - 36 + 41 - 42 |
| E | L | 1 NC | 1 NO (SC) + 1 NO (OL) | 13 - 14 | 37 - 38 + 43 - 44 |
| E | M | 1 NC | 1 NC (SC) + 1 NO (OL) | 13 - 14 | 35 - 36 + 41 - 42 |
| E | N | 1 NC | 1 NO (SC) + 1 NC (OL) | 13 - 14 | 37 - 38 + 43 - 44 |

| BUL 103 & BUL 107 AUX CONTACTS FOR 140M CIRCUIT BREAKERS | | | | | |
|--|-----------|--------------|----------------|-------------------|---------|
| Last Characters in Cat. No. (103S-ATD2-DB40CK) | | Aux Contacts | Trip Contacts | Terminal Markings | |
| 1 st CHAR | 2 nd CHAR | | | CB (1) | CB (2) |
| X | | -- | -- | -- | -- |
| B | K,L,M,N,Q | 1 NO | -- | 13 - 14 | -- |
| C | K,L,M,N,Q | 1 NO + 1 NC | -- | 13 - 14 | 21 - 22 |
| D | K,L,M,N,Q | 2 NO | -- | 13 - 14 | 23 - 24 |
| S | K,L,M,N,Q | 1 NO | 1 NO (SC + OL) | 13 - 14 | 27 - 28 |



NOTE: FIELD WIRING IS NOT VALID WITH CIRCUIT BREAKER AUXILIARY CONTACT CODES A, E OR R

REMOTE WIRING -----
FACTORY WIRING _____

| BUL 107 AUX. CONTACTS FOR 100C CONTACTORS | | | | | | | | | | | | | | | | | |
|--|-------------|---------------|---------|---------|---------|---------|---------|---------|---------|---------------|---------|---------|---------|---------|---------|---------|---------|
| 8th character in Cat. No. i.e. (107S-ATA3-CA16C) | Description | 100-C09...C23 | | | | | | | | 100-C30...C85 | | | | | | | |
| | | F(1)* | F(2)** | F(3) | F(4) | R(1)* | R(2)** | R(3) | R(4) | F(1) | F(2) | F(3) | F(4) | R(1) | R(2) | R(3) | R(4) |
| 3 | 1NO + 1NC | 13 - 14 | 21 - 22 | ---- | ---- | 13 - 14 | 21 - 22 | ---- | ---- | 13 - 14 | 21 - 22 | ---- | ---- | 13 - 14 | 21 - 22 | ---- | ---- |
| 7 | 2NO + 2NC | 13 - 14 | 21 - 22 | 53 - 54 | 61 - 62 | 13 - 14 | 21 - 22 | 53 - 54 | 61 - 62 | 13 - 14 | 21 - 22 | 31 - 32 | 43 - 44 | 13 - 14 | 21 - 22 | 31 - 32 | 43 - 44 |

* 4th Pole of Contactor
** Mechanical/Electrical Interlock