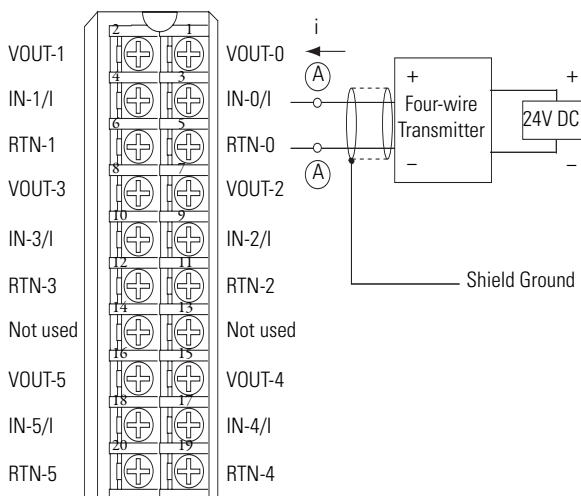


ControlLogix Sourcing Current Loop Input Module

Catalog Number 1756-IF6CIS

Use these release notes with the ControlLogix Sourcing Current Loop Input Module Installation Instructions, publication [1756-IN579](#). See Important.

Figure 1: Four-wire transmitter connected to the module and an external, user-supplied power supply providing 24V DC loop power

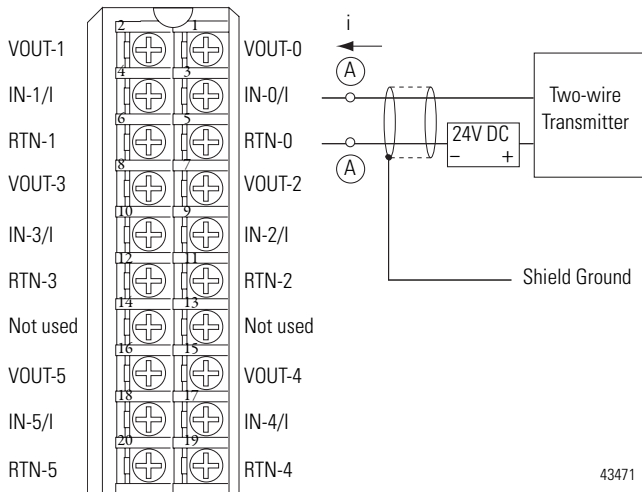


43470

IMPORTANT

- Do not exceed the specified isolation voltage if you use separate power sources.
- **User-supplied power supply must not exceed 150VA.**
- Do not connect more than two wires to any single terminal.
- Place additional loop devices (such as strip chart recorders) at either A location in the current loop.

Figure 2: Two-wire transmitter connected to the module and an external, user-supplied power supply providing 24V DC loop power



43471

IMPORTANT

- Do not exceed the specified isolation voltage if you use separate power sources.
- **User-supplied power supply must not exceed 150VA.**
- Do not connect more than two wires to any single terminal.
- Place additional loop devices (such as strip chart recorders) at either A location in the current loop.

Allen-Bradley, ControlLogix, Rockwell Software, and Rockwell Automation are trademarks of Rockwell Automation, Inc. Trademarks not belonging to Rockwell Automation are property of their respective companies.

Rockwell Otomasyon Ticaret A.Ş., Kar Plaza İş Merkezi E Blok Kat:6 34752 İçerenköy, İstanbul, Tel: +90 (216) 5698400

www.rockwellautomation.com

Power, Control and Information Solutions Headquarters

Americas: Rockwell Automation, 1201 South Second Street, Milwaukee, WI 53204 USA, Tel: (1) 414.382.2000, Fax: (1) 414.382.4444
 Europe/Middle East/Africa: Rockwell Automation, Vorstlaan/Boulevard du Souverain 36, 1170 Brussels, Belgium, Tel: (32) 2 663 0600, Fax: (32) 2 663 0640
 Asia Pacific: Rockwell Automation, Level 14, Core F, Cyberport 3, 100 Cyberport Road, Hong Kong, Tel: (852) 2887 4788, Fax: (852) 2508 1846

Publication 1756-RN079A-EN-P - May 2010

PN-76434

Copyright © 2010 Rockwell Automation, Inc. All rights reserved. Printed in the U.S.A.