

PowerFlex® 低压交流变频器

全球 SCRR 解决方案:

变频器系列:

- PowerFlex 525 交流变频器
- PowerFlex 4M 交流变频器
- PowerFlex 4 交流变频器
- PowerFlex 750 交流变频器

分支电路保护:

- 熔断器
- 断路器

电机启动特性:

- 标准负载
- 重载

电机规格:

- 1/2...300 Hp
- 0.16...400 kW

全球电压:

- 220V, 50 Hz
- 230V, 60 Hz
- 380...400V, 50 Hz
- 415V, 50 Hz
- 440V, 50 Hz
- 460V (线电压 480), 60 Hz
- 500...525V, 50 Hz
- 575V (线电压 600), 60 Hz
- 690V, 50 Hz

可用故障等级:

- 65 kA 和 100 kA

标准合规性:

- UL 508A 标准和高故障 SCRR
- UL 508C SC 测试要求
- IEC 60947-4-1 短路协调类型 1 和 2
- UL 列名和认证



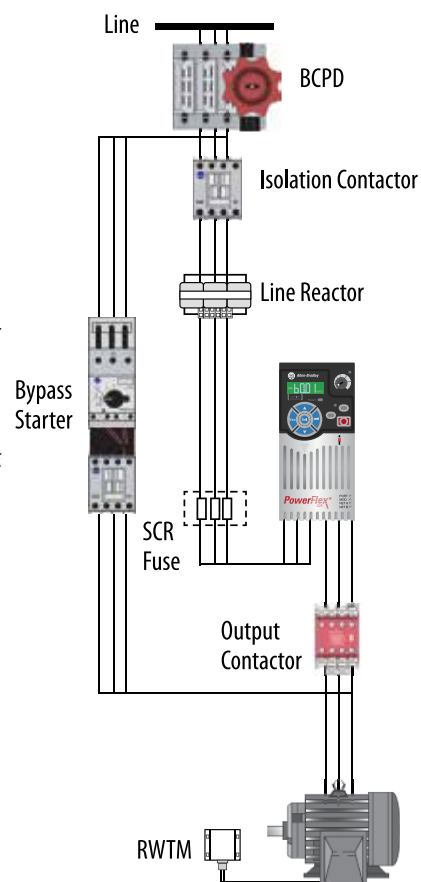
PowerFlex 525 系列

概述

罗克韦尔自动化基于常见的全球电机电压 (50/60 Hz) 和短路电流额定值故障等级开发出适用于元件驱动电路的全球 SCRR 选型表。用户可以根据常见的电压和 SCRR 应用要求, 从这些众多的 HP 或 kW 额定值中选择驱动电路元件。

只需按照 RockwellAutomation.com Web 工具提示选择相应的应用参数, 找到正确的 SCRR 选型表, 然后读取达到所需电机额定值的单行物料清单, 即可同时完成元件选型和短路协调。

这些选型表均符合 IEC 和 UL 标准, 而且在大多数情况下, 由美国保险商实验室在第三方证人的见证下于罗克韦尔自动化认可的测试设施内进行认证。



全球 SCCR 选型工具 - 新产品!
访问网页

www.rockwellautomation.com/go/etools



Global Short Circuit Current Ratings

Welcome to the Global Short Circuit Current Ratings Selection Tool providing coordinated high fault interrupt current ratings.

Product Category: Your Selection: Use Voltage AC Street

Product Family: PowerFlex 525 Drive: PowerFlex 525 Drive

Motor Voltage: 480V 60Hz (480V Line)

Circuit Protection Type: 18 Class 1 Fuses - (Optimized Fuse Sizing)

Next Accept

Global Short Circuit Current Ratings

Available Documents

SCCR Size Ref Number: SCCR-430226E

Next Summary Letter Ref. Number(s)

Selection Summary

Product Category: Your Selection: Use Voltage AC Street

Product Family: PowerFlex 525 Drive: PowerFlex 525 Drive

Motor Voltage: 480V 60Hz (480V Line)

Circuit Protection Type: 18 Class 1 Fuses - (Optimized Fuse Sizing)

Modify Settings Sign New Search

PowerFlex 525 选型表, 带熔断器保护*

Short-circuit Coordination

Starter Type: AC Variable Frequency Drive
PowerFlex 525

S.C. Protective Device: UL/CSA Class J or T Fuses, Current Limiting Standard Fuse Selection for Component Sizing

Input/Output Contactor: 100-C, 100S-C and 193-E1 Plus, E3 & E3 Plus

Bypass Starters: 480V 60Hz (480V Line)

Rated Operational Voltage: 480V 60Hz

Test Voltage: 1000A (rms sym.)

Level of S.C. Coordination: Type "1" or "2" per IEC 60947-4

Motor Ratings		Drive Ratings - Normal Duty ¹⁾				SCPD - Fuse		Line Reactor	Contactor		Bypass Starter ²⁾			IEC Coordination	
3 ph	1500 rpm	Input	Output	w/ EMC Filter	w/ EMC Filter	Max. Fuse Size	Disconnect Switch	Input/Output	Input	Output	Contactor	CLR	Coordination	Remark	
[HP]	[A] ³⁾	[kVA]	[A]	[A]	Cat. No.	UL Class [A] ⁴⁾	Cat. No.	Cat. No.	Cat. No.	Cat. No.	Cat. No.	Cat. No.	Type		
1/2	1.1	1.7	1.9	1.4	25B-D1P4N104	25B-D1P4N114	J, T 6	194R-J30-1753	1321-3RA1-C/B	100-C09	100-C09	100-C09	193-EEB	1.0 - 5.0	---
3/4	1.6	2.9	3.2	2.3	25B-D2P3N104	25B-D2P3N114	J, T 6	194R-J30-1753	1321-3RA2-A/A	100-C09	100-C09	100-C09	193-EEB	1.0 - 5.0	---
1	2.1	2.9	3.2	2.3	25B-D2P3N104	25B-D2P3N114	J, T 10	194R-J30-1753	1321-3RA2-A/A	100-C09	100-C09	100-C09	193-EEB	1.0 - 5.0	---
1 1/2	3.0	5.2	5.7	4.0	25B-D4P0N104	25B-D4P0N114	J, T 10	194R-J30-1753	1321-3RA4-B/B	100-C09	100-C09	100-C09	193-EEB	1.0 - 5.0	---
2	3.4	5.2	5.7	4.0	25B-D4P0N104	25B-D4P0N114	J, T 15	194R-J30-1753	1321-3RA4-B/B	100-C09	100-C09	100-C09	193-EEB	1.0 - 5.0	---
3	4.8	6.9	7.4	6.0	25B-D6P0N104	25B-D6P0N114	J, T 15	194R-J30-1753	1321-3RA6-C/C	100-C09	100-C09	100-C09	193-EEB	1.0 - 5.0	---
5	7.6	12.6	13.8	10.5	25B-D010N104	25B-D010N114	J, T 30	194R-J30-1753	1321-3RA6-B/B	100-C16	100-C16	100-C16	193-EEB	3.2 - 16	---
7 1/2	11	14.1	15.4	13.0	25B-D013N104	25B-D013N114	J, T 35	194R-J60-1753	1321-3RA12-B/B	100-C23	100-C23	100-C23	193-EEB	3.2 - 16	---
10	14	18.8	18.4	17.0	25B-D017N104	25B-D017N114	J, T 40	194R-J60-1753	1321-3RA18-B/B	100-C23	100-C23	100-C23	193-EEB	5.4 - 27	---
15	21	24.1	26.4	24.0	25B-D024N104	25B-D024N114	J, T 60	194R-J60-1753	1321-3RA25-B/B	100-C43	100-C43	100-C43	193-EEF0	9.0 - 45	---
20	27	30.2	33.0	30.0	25B-D030N104	25B-D030N114	J, T 70	194R-J100-1753	1321-3RA35-B/B	100-C43	100-C43	100-C43	193-EEF0	9.0 - 45	---
25	34	39.8	33.7	37.0	---	25B-D037N114	J, T 70	194R-J100-1753	1321-3RA35-B/B	100-C43	100-C43	100-C43	193-EEF0	9.0 - 45	---
30	40	35.6	38.9	43.0	---	25B-D043N114	J, T 80	194R-J100-1753	1321-3RA45-B/B	100-C60	100-C60	100-C60	193-EEGE	18 - 90	---

Motor Ratings		Drive Ratings - Heavy Duty ¹⁾				SCPD - Fuse		Line Reactor	Contactor		Bypass Starter ²⁾			IEC Coordination	
3 ph	1500 rpm	Input	Output	w/ EMC Filter	w/ EMC Filter	Max. Fuse Size	Disconnect Switch	Input/Output	Input	Output	Contactor	CLR	Coordination	Remark	
[HP]	[A] ³⁾	[kVA]	[A]	[A]	Cat. No.	UL Class [A] ⁴⁾	Cat. No.	Cat. No.	Cat. No.	Cat. No.	Cat. No.	Cat. No.	Type		
1/2	1.1	1.7	1.9	1.4	25B-D1P4N104	25B-D1P4N114	J, T 6	194R-J30-1753	1321-3RA1-C/B	100-C09	100-C09	100-C09	193-EEB	1.0 - 5.0	---
3/4	1.6	2.9	3.2	2.3	25B-D2P3N104	25B-D2P3N114	J, T 6	194R-J30-1753	1321-3RA2-A/A	100-C09	100-C09	100-C09	193-EEB	1.0 - 5.0	---
1	2.1	2.9	3.2	2.3	25B-D2P3N104	25B-D2P3N114	J, T 10	194R-J30-1753	1321-3RA2-A/A	100-C09	100-C09	100-C09	193-EEB	1.0 - 5.0	---
1 1/2	3.0	5.2	5.7	4.0	25B-D4P0N104	25B-D4P0N114	J, T 10	194R-J30-1753	1321-3RA4-B/B	100-C09	100-C09	100-C09	193-EEB	1.0 - 5.0	---
2	3.4	5.2	5.7	4.0	25B-D4P0N104	25B-D4P0N114	J, T 15	194R-J30-1753	1321-3RA4-B/B	100-C09	100-C09	100-C09	193-EEB	1.0 - 5.0	---
3	4.8	6.9	7.4	6.0	25B-D6P0N104	25B-D6P0N114	J, T 15	194R-J30-1753	1321-3RA6-C/C	100-C09	100-C09	100-C09	193-EEB	1.0 - 5.0	---
5	7.6	12.6	13.8	10.5	25B-D010N104	25B-D010N114	J, T 30	194R-J30-1753	1321-3RA6-B/B	100-C16	100-C16	100-C16	193-EEB	3.2 - 16	---
7 1/2	11	14.1	15.4	13.0	25B-D013N104	25B-D013N114	J, T 35	194R-J60-1753	1321-3RA12-B/B	100-C23	100-C23	100-C23	193-EEB	3.2 - 16	---
10	14	18.8	18.4	17.0	25B-D017N104	25B-D017N114	J, T 40	194R-J60-1753	1321-3RA18-B/B	100-C23	100-C23	100-C23	193-EEB	5.4 - 27	---
15	21	24.1	26.4	24.0	25B-D024N104	25B-D024N114	J, T 60	194R-J60-1753	1321-3RA25-B/B	100-C43	100-C43	100-C43	193-EEF0	9.0 - 45	---
20	27	30.2	33.0	30.0	25B-D030N104	25B-D030N114	J, T 70	194R-J100-1753	1321-3RA35-B/B	100-C43	100-C43	100-C43	193-EEF0	9.0 - 45	---
25	34	39.8	33.7	37.0	---	25B-D037N114	J, T 70	194R-J100-1753	1321-3RA35-B/B	100-C43	100-C43	100-C43	193-EEF0	9.0 - 45	---
30	40	35.6	38.9	43.0	---	25B-D043N114	J, T 80	194R-J100-1753	1321-3RA45-B/B	100-C60	100-C60	100-C60	193-EEGE	18 - 90	---

* 以上示例仅供参考; 如需获取最新文档, 请访问 www.rockwellautomation.com/go/etools.

Allen-Bradley, LISTEN.THINK.SOLVE, PowerFlex 和 Rockwell Software 是罗克韦尔自动化公司的商标。不属于罗克韦尔自动化的商标是其各自所属公司的财产。

中文网址 www.rockwellautomation.com.cn
新浪微博 www.weibo.com/rockwellchina

动力、控制与信息解决方案总部

美洲地区: 罗克韦尔自动化, 南二大街1201号, 密尔沃基市, WI 53204-2496 美国, 电话: (1) 414.382.2000, 传真: (1) 414.382.4444
欧洲/中东/非洲: 罗克韦尔自动化, NV, Pegasus Park, De Kleetlaan 12a, 1831布鲁塞尔, 比利时, 电话: (32) 2 663 0600, 传真: (32) 2 663 0640
亚太地区: 罗克韦尔自动化, 香港数码港道100号数码港3座F区14楼1401-1403 电话: (852)2887 4788 传真: (852)2508 1486
中国总部: 上海市徐汇区虹梅路1801号宏业大厦 邮编: 200233 电话: (86 21)6128 8888 传真: (86 21)6128 8899
客户服务电话: 400 620 6620 (中国地区) +852 2887 4666 (香港地区)