

Allen-Bradley/Stromberg Human Machine Interface (HMI) and Controller Upgrades



Product Profile

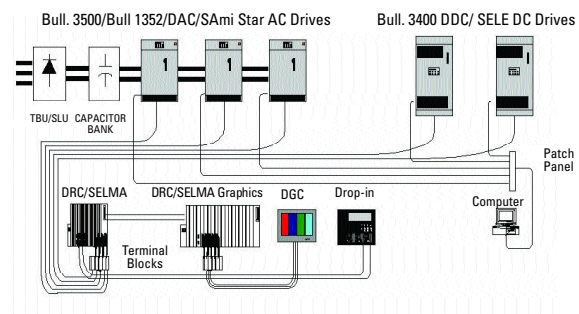
More Performance and Functionality at an Affordable Price

Rockwell Automation's Drive System organization will help to improve the performance and functionality of older Allen-Bradley/Stromberg (A-B/S) systems by:

- Improving reliability
- Upgrading operator interface and diagnostics
- Reducing spare part requirements
- Simplifying communications to other systems
- Providing a forward migration path

This will help you to optimize your automation investment throughout its intended life.

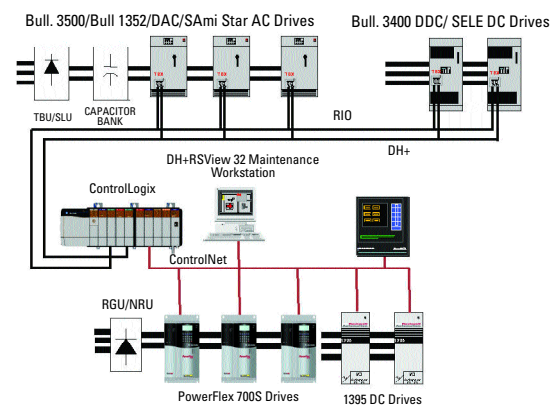
Allen-Bradley/Stromberg Architecture



Digital Reference Controller (DRC) Upgrades

The DRC may be upgraded to the latest Logix™ architecture while keeping the existing drives in place. Using Rockwell Automation's TBX communication modules, A-B/S AC and DC drives may communicate to a ControlLogix™ controller over Remote I/O. This new architecture supports expansion with new Logix controllers and the latest drive technology.

System Migrated to New Logix Architecture



Digital Graphics Controller (DGC) and Drop-in Panel HMI upgrades

The DGC may be upgraded to a RSView™-based HMI system engineered for simplified control and system modifications. Operation, programming and troubleshooting may be conducted from a single workstation. Our current RSView HMI is based on standards improved through three architecture generations.

The drop-in panel operator interface may be upgraded to a PanelView™ color graphic terminal, which is available as a flat panel with touch screen or keypad configurations. This is an intuitive interface for operators and maintenance personnel to control and optimize manufacturing processes.



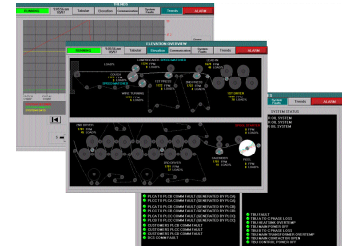
ControlLogix™ System

The ControlLogix controller is a highly functional industrial processor that provides a scalable solution for applications that range from those where a small SLC 500™ would typically be used to those that would require a large DRC, PLC-5/250™, or AutoMax® processor. Modular memory, modular networking, and multiprocessing allow the user to size the controller to meet the application.



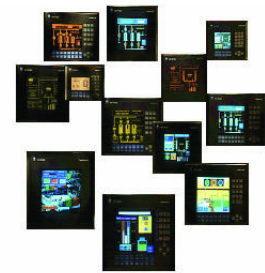
RSView32™ Software

RSView32 is an integrated, component-based HMI for monitoring and controlling automation machines and processes. Designed for the Microsoft® Windows™ environments. RSView32 expands your view with open technologies that provide unprecedented connectivity to other Rockwell Software products, Microsoft products, and third-party applications.



PanelView™ Operator Terminals

The PanelView lines of operator terminals offer rugged electronic interface solutions in a variety of sizes and configurations. Choose from a stand-alone single system to a multi-layer, enterprise-wide solution. Each system is capable of providing process information over a variety of communication protocols via DeviceNet™, ControlNet™, Data Highway Plus™, Remote I/O, DF1 (RS-232), DH-485, PROFIBUS, and Modbus™.



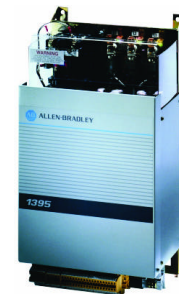
PowerFlex™ 700S AC Drive

The innovative bookshelf design of the PowerFlex 700S drive optimizes panel space, allowing Zero Stacking™ or side-by-side mounting of the drives. A fiber optic transmit and receive connection, SynchLink™, provides a high performance, high speed, synchronization and drive-to-drive data link. In addition, multiple high performance motor control algorithms provide for maximum application flexibility. Combined with the embedded Logix option, the PowerFlex 700S with DriveLogix provides a highly functional, cost-effective drive and control solution.



1395 DC Drive

This digital DC drive is pre-configured to simplify adaptation to your specific process or system. An automatic set-up mode helps streamline parameter entries and eliminate hardware adjustments. Various adapter boards are available to allow the drive to communicate with Allen-Bradley PLC® controllers, and both discrete and analog control and signal devices.



PowerFlex, DriveLogix, Logix, Zero Stacking, AutoMax, ControlLogix, Data Highway Plus, PanelView, PLC, PLC-5/250, RSView, RSView32, and SLC 500 are trademarks of Rockwell Automation. Trademarks not belonging to Rockwell Automation are property of their respective companies.

www.rockwellautomation.com

Corporate Headquarters

Rockwell Automation, 777 East Wisconsin Avenue, Suite 1400, Milwaukee, WI, 53202-5302 USA, Tel: (1) 414.212.5200, Fax: (1) 414.212.5201

Headquarters for Allen-Bradley Products, Rockwell Software Products and Global Manufacturing Solutions

Americas: Rockwell Automation, 1201 South Second Street, Milwaukee, WI 53204-2496 USA, Tel: (1) 414.382.2000, Fax: (1) 414.382.4444

Europe: Rockwell Automation SA/NV, Vorstlaan/Boulevard du Souverain 36-BP 3A/B, 1170 Brussels, Belgium, Tel: (32) 2 663 0600, Fax: (32) 2 663 0640

Asia Pacific: Rockwell Automation, 27/F Citicorp Centre, 18 Whitfield Road, Causeway Bay, Hong Kong, Tel: (852) 2887 4788, Fax: (852) 2508 1846

Headquarters for Dodge and Reliance Electric Products

Americas: Rockwell Automation, 6040 Ponders Court, Greenville, SC 29615-4617 USA, Tel: (1) 864.297.4800, Fax: (1) 864.281.2433

Europe: Rockwell Automation, Brühlstraße 22, D-74834 Elztal-Dallau, Germany, Tel: (49) 6261 9410, Fax: (49) 6261 1774

Asia Pacific: Rockwell Automation, 55 Newton Road, #11-01/02 Revenue House, Singapore 307987, Tel: (65) 351 6723, Fax: (65) 355 1733