

# Push Button Stations with DeviceLogix™ Technology

Product Profile

## Bulletin 800T

In line with Rockwell Automation's commitment to provide world class products that respond to customer application needs, we have expanded the Allen-Bradley push button offering to include fully assembled DeviceNet™ push button stations.

## Benefits

### Ease of Installation/Configuration

The use of quick-disconnect connectors means fast, easy and reliable connections. The stations are all pre-configured and ordered as one catalog number with no assembly required.

### Increased Performance

DeviceLogix increases system performance with reduced network traffic, reduced scan times in the master controller, and input to output activation time as low as 2 ms.

### Increased Reliability

DeviceLogix provides increased up time. DeviceLogix function blocks can continue to run in the event of a network failure.

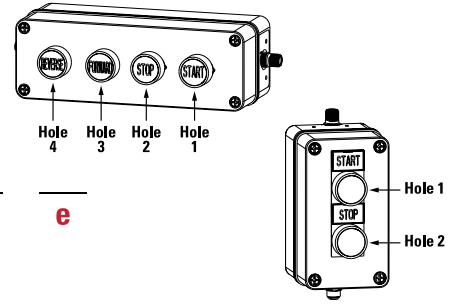
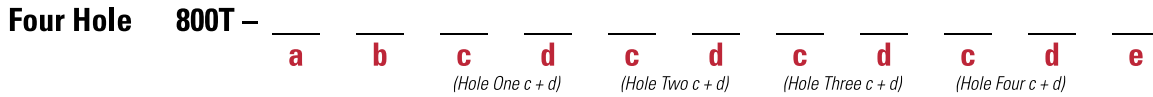
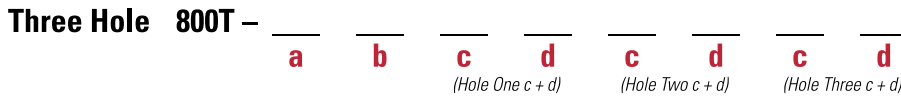
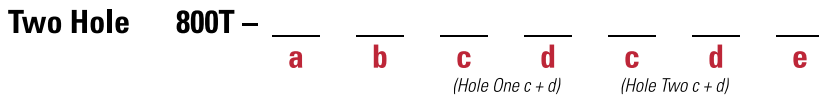
## DeviceNet Enhancements

- Device is completely powered by network power
- Change of State, Cyclic, and Polled I/O messaging
- Baud rate can be set with rotary switches or through the use of Autobaud
- Node Address can be set with rotary switches or through software node commissioning
- Mod/Net and Logic Status LEDs are visible on the outside of the enclosure
- Supports Auto Device Replacement
- Now offering Offline Node Recovery
- Features DeviceLogix Component Technology
- Supports DeviceNet voltage measurement at the node using RSNNetWorx for DeviceNet



## Key Features

- Uses robust 800T operators
- Available in 2-, 3- and 4-hole versions
- Up to four external I/O points available through micro quick-disconnect connectors
- Hardwired E-Stop contacts available to meet your E-Stop string requirements
- Features DeviceLogix Component Technology to handle local logic processing
- Fully assembled with choice of 20 operator styles, 18 color/text options, 22 I/O and E-Stop connector options, and 3 enclosure styles
- NEMA 4/13 – Dependent on operators
- Available as horizontal or vertical configuration
- All illuminated operators use a super-bright long life LED
- External outputs and Sensor Source Voltage are short circuit protected
- External outputs rated for 300 mA switching and Sensor Source Voltage supplies up to 50 mA for external inputs
- UL and cUL listed, CE marked, and ODVA certified (DeviceNet)



Orientation		
Code	Description	
<b>a</b>	V	Vertical
	H	Horizontal ❶

Enclosure Style		
Code	Description	
<b>b</b>	A	2-Hole
	B	3-Hole
	C	4-Hole
	G	2-Hole E-Stop Only ❷

Operator Types		
Code	Description	
A	Non-Illuminated Flush (800T-A*)	
B	Non-Illuminated Extended (800T-B*)	
C	Non-Illuminated Mushroom (800T-D*)	
D	Illuminated Mushroom (800T-QM*)	
E	Illuminated Extended (800T-QB*)	
F	Illuminated Guarded (800T-QA*)	
G	2 Position SS Maintained (800T-H2*)	
H	3 Position SS Maintained (800T-J2*)	
J	Enhanced Pilot Light (800T-QH*)	
K	Non-Illuminated 2-Pos Push/Pull (800T-FX*) ❸	
L	Non-Illuminated Push/Pull TTR (800T-FXT*) ❸	
M	Illuminated 2-Pos Push/Pull (800T-FXQH*)	
N	2-Position Key SS (800T-H33*) ❹	
P	3-Position Key SS (800T-J44*) ❹	
Q	2-Pos SS Spring Return from Right (800T-H5*)	
R	3-Pos SS Spring Return from All (800T-J91*)	
T	Illuminated 2-Position SS Maintained (800T-24H*H*)	
U	Illuminated 3-Position SS Maintained (800T-24J*H*)	
V	Non-Illuminated 3-Position Push/Pull (800T-FXM*)	
W	Potentiometer ❺	

Color/Text		
Code	Description	
1	Green	
2	Black (non-ill only)	
3	Orange (non-ill only)	
4	Grey (non-ill only)	
5	White	
6	Red	
7	Blue	
8	Clear (ill only)	
9	Yellow (non-ill) /Amber (ill)	
A	Green with Start Legend	
B	Red with Stop Legend	
C	Red with E-Stop Legend	
D	Black with Off/On Legend	
E	Black with Hand/Off/Auto Legend	
F	Red with Push to Stop/Pull to Start Legend	
G	Blue with Reset Legend	
H	Red with Power On Legend	
X	N/A (i.e. key ss)	

- ❶ ILL. Selector Switches in a horizontal mount enclosure will be mounted with a vertical orientation.
- ❷ Enclosure Style option G from table b can only select one operator from table c. Valid options are K and L with E-Stop. Also see note 3.
- ❸ Operator Types K and L from table c may be used as Emergency Stops. To be valid as an E-Stop, the operators must use Color/Text option C from table d and it must be placed in the last hole position in the enclosure. An E-Stop connector also must be chosen from table e. Also see note 5.
- ❹ External I/O Versions F, L, M, Q, T and U receive only one contact block for the external E-Stop string. These connectors are rated to 3A. If more than 3A of current is needed or if there are two E-Stop strings, use External I/O Versions G, N, P, R, V and W. These versions receive two contact blocks. This allows for 6A of switching or for two E-Stop strings.

External I/O Version ❹		
Code	Description	
blank	No External I/O	
A	1 input/1 output (Sinking)	
B	1 input/1 output (Sourcing)	
C	2 input	
D	2 output (Sinking)	
E	2 output (Sourcing)	
F	1 E-stop Block ❺	
G	2 E-stop Blocks ❺	
H	2 input + 2 input	
J	2 input + 2 output (Sinking)	
K	2 input + 2 output (Sourcing)	
L	1 input/1 output (Sinking) + 1 E-Stop Block ❺	
M	1 input/1 output (Sourcing) + 1 E-Stop Block ❺	
N	1 input/1 output (Sinking) + 2 E-Stop Blocks ❺	
P	1 input/1 output (Sourcing) + 2 E-Stop Blocks ❺	
Q	2 input + 1 E-Stop Block ❺	
R	2 input + 2 E-Stop Blocks ❺	
T	2 output (Sinking) + 1 E-Stop Block ❺	
U	2 output (Sourcing) + 1 E-Stop Block ❺	
V	2 output (Sinking) + 2 E-Stop Blocks ❺	
W	2 output (Sourcing) + 2 E-Stop Blocks ❺	
X	2 input + 1 input/1output (Sinking)	
Y	2 input + 1 input/1output (Sourcing)	

- ❺ This is an 8-in/4-out device. 2-in/1-out is assigned to each hole position in the enclosure. If a 2-hole enclosure is selected, 4-in and 2-out are assigned internally and up to 4 unassigned I/O points can be assigned to external connectors. This device contains up to two physical external I/O connectors. The "+" symbol in the Description field of table e indicates that two external connectors exist. If an E-Stop connector is used, 2 unassigned I/O points can be assigned to the other connector.
- ❻ Available for certain applications, please contact your local sales person.

For more information on 800T push buttons, please refer to the 30 mm Push Button Selection Guide, 800-SG001B-EN-P.

DeviceNet is a trademark of the Open DeviceNet Vendor Association (ODVA). DeviceLogix is a trademark of Rockwell Automation.

**www.rockwellautomation.com**

**Corporate Headquarters**

Rockwell Automation, 777 East Wisconsin Avenue, Suite 1400, Milwaukee, WI, 53202-5302 USA, Tel: (1) 414.212.5200, Fax: (1) 414.212.5201

**Headquarters for Allen-Bradley Products, Rockwell Software Products and Global Manufacturing Solutions**

Americas: Rockwell Automation, 1201 South Second Street, Milwaukee, WI 53204-2496 USA, Tel: (1) 414.382.2000, Fax: (1) 414.382.4444  
 Europe: Rockwell Automation SA/NV, Vorstlaan/Boulevard du Souverain 36-BP 3A/B, 1170 Brussels, Belgium, Tel: (32) 2 663 0600, Fax: (32) 2 663 0640  
 Asia Pacific: Rockwell Automation, 27/F Citicorp Centre, 18 Whitfield Road, Causeway Bay, Hong Kong, Tel: (852) 2887 4788, Fax: (852) 2508 1846

**Headquarters for Dodge and Reliance Electric Products**

Americas: Rockwell Automation, 6040 Ponders Court, Greenville, SC 29615-4617 USA, Tel: (1) 864.297.4800, Fax: (1) 864.281.2433  
 Europe: Rockwell Automation, Brühlstraße 22, D-74834 Elztal-Dallau, Germany, Tel: (49) 6261 9410, Fax: (49) 6261 17741  
 Asia Pacific: Rockwell Automation, 55 Newton Road, #11-01/02 Revenue House, Singapore 307987, Tel: (65) 351 6723, Fax: (65) 355 1733