

PRODUCT PROFILE

BULLETIN 800FD 22.5 MM MONOLITHIC PUSH BUTTON DEVICES

Rockwell Automation introduces a new line of 22.5 mm monolithic push button devices. With a single catalog number, you can now order a fully assembled product for easy stocking and installation. The 800FD family includes E-Stops and LED and incandescent pilot lights.

ADVANTAGES

- One catalog number gets you a complete, assembled product
- Ease of installation
- Low back-of-panel profile (45.7 mm)
- Aesthetic design complements the 800F modular line
- Anti-rotation tab provides accurate alignment and can be easily removed for use in panels without notches
- Lowest cost of installation
- Made of industrial grade thermoplastic for superior chemical resistance
- Designed to meet worldwide standards
- Compatible with 800F accessories and enclosures.
- Ring lug capability



APPLICATIONS

- Panel builders
- OEM customers
- Commercial and industrial applications

**ESSENTIAL COMPONENTS.
EXCEPTIONAL VALUE.**

PILOT LIGHT

DEVICES

- Optically enhanced lens style
- Available in six colors: amber, green, red, yellow, blue and clear
- UL Type 4/4X/13, IP 66

LED

- Superior shock and vibration rating
- Life rating of 100,000 hours
- Leakage current protection up to 3 mA
- Integrated LED

INCANDESCENT

- Device comes with bulb installed for quick set-up
- Bulb is front-replaceable



PILOT LIGHT DEVICES — LED

Lens & LED Color	Pkg. Quantity	Voltage		
		24V AC/DC	120V AC	240V
		Cat. No.	Cat. No.	Cat. No.
Green	1	800FD-P3N3	800FD-P3N5	800FD-P3N7
Red		800FD-P4N3	800FD-P4N5	800FD-P4N7
Yellow		800FD-P5N3	800FD-P5N5	800FD-P5N7

800FD - P 3 N 7

a *b* *c*

a

Lens & LED Color	
Code	Color
0	Amber
3	Green
4	Red
5	Yellow
6	Blue
7	Clear

b

Voltage	
Code	Type
3	24V AC/DC
5	120V AC
7	240V AC

c

Screw Termination	
Code	Description
Blank	Standard
R	Ring Lug

PILOT LIGHT DEVICES — INCANDESCENT

Lens Color	Pkg. Quantity	Voltage	
		24V AC/DC	120V AC
		Cat. No.	Cat. No.
Green	1	800FD-P3D3	800FD-P3D5
Red		800FD-P4D3	800FD-P4D5
Yellow		800FD-P5D3	800FD-P5D5

800FD - P 3 D 5

a *b* *c*

a

Lens Color	
Code	Color
0	Amber
3	Green
4	Red
5	Yellow
6	Blue
7	Clear
9	No Lens*

b



Voltage	
Code	Type
0	No Bulb [°]
1	6V AC/DC
2	12V AC/DC
3	24V AC/DC
4	48V AC/DC
5	120V AC/DC

c

Screw Termination	
Code	Description
Blank	Standard
R	Ring Lug

*only valid with "no bulb" option
[°] only valid with "no lens" option

REPLACEMENT LAMPS

Lamp	Type	Typical Current	Voltage	ANSI No.	Cat. No.	Pkg. Quantity
 <i>Cat. No. 800F-N130</i>	Full Voltage Incandescent	150 mA	6V AC/DC	755	800F-N65	10‡
		80 mA	12V AC/DC	756	800F-N141	
		70 mA	24V AC/DC	757	800F-N157	
		50 mA	48V AC/DC	1835	800F-N48	
		22 mA	130V AC/DC	949	800F-N130	
 <i>Cat. No. 800F-N240</i>	Neon	22 mA	240V AC	—	800F-N240	

REPLACEMENT LENSES

Color	Cat. No.	Pkg. Quantity
Amber	800FD-AP0	10‡
Green	800FD-AP3	
Red	800FD-AP4	
Yellow	800FD-AP5	
Blue	800FD-AP6	
Clear	800FD-AP7	

‡ Sold in multiples of 10. Order (quantity of) 10 to receive one package of 10 pieces.

E-STOP

PUSH-PULL/TWIST-TO-RELEASE DEVICES

- Push-pull and twist-to-release in one device
- Non-removable contacts promote safety in E-stop applications
- Arrows molded on cap indicate direction of release
- Trigger action anti-tease feature
- Externally tamperproof
- 40 mm mushroom cap
- Non-illuminated
- E-Stops meet the EN 418 and EN 60947-5-5 standards
- UL type 4/4x/13, IP 66



2-POSITION PUSH-PULL/TWIST-TO-RELEASE MUSHROOM DEVICES, NON-ILLUMINATED

Color	Contacts	Pkg. Quantity	Cat. No.
Red	1 N.C.	1	800FD-MT44X01
	2 N.C.		800FD-MT44X02

800FD – MT4 **4** **X** **11**
a *b* *c*

a

Color Cap	
Code	Description
4	Red
4E	Red - EMO

b

Screw Termination	
Code	Description
X	Standard
R	Ring Lug

c

Contacts*		
Code	Number of N.O.	Number of N.C.
01	0	1
11	1	1
02	0	2

* Not available without at least 1 N.C. contact block

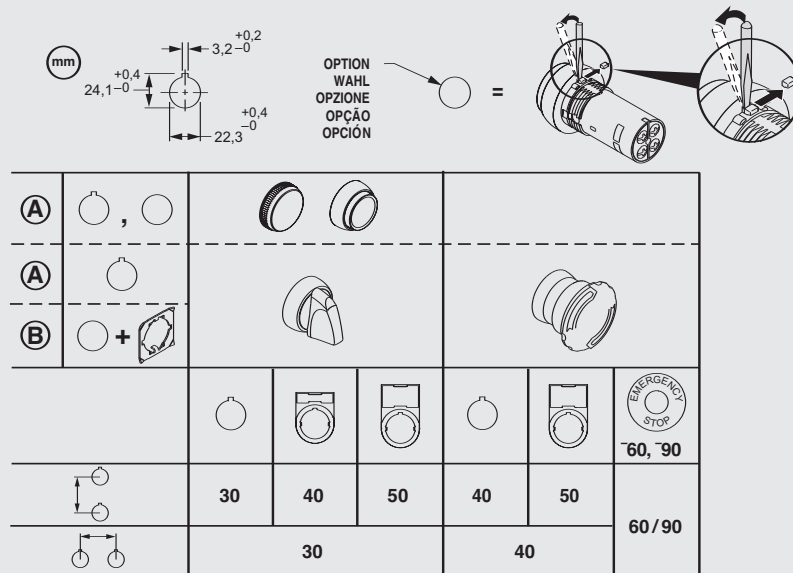
SPECIFICATIONS

BULLETIN 800FD 22.5 MM MONOLITHIC PUSH BUTTON DEVICES

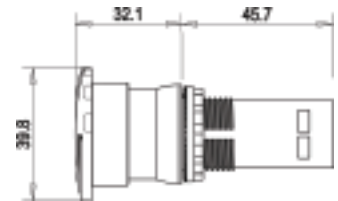
APPROXIMATE DIMENSIONS

Dimensions in millimeters. Dimensions are not intended to be used for manufacturing purposes.

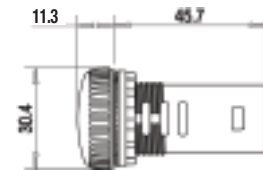
PANEL HOLE SPACING



2-Position Push-Pull/Twist-to-Release Mushroom Devices



Pilot Light Devices



SPECIFICATIONS

Mechanical Ratings	
Vibration (assembled to panel)	Tested at 10...2000 Hz, 1.52 mm displacement (peak-to-peak) max./10 G max. for 3 hr duration, no damage
Shock	Tested at 1/2 cycle sine wave for 11 ms; no damage at 100 G
Degree of protection	IP65/66 (Type 3/3R/4/4X/12/13)
Mechanical durability per EN 60947-5-1 (Annex C)	300,000 Cycles E-Stop
Operating forces	E-stop = 36 N
Contact operation	N.O. Slow double make and break
	N.C. Slow double make and break - positive opening

Environmental	
Temperature range (operating)	-25...+60°C (-13...140°F) [^]
Temperature range (short term storage)	-40...+85°C (-40...185°F)
Humidity	50...95% RH from 25...60°C (77...140°F)

* Performance Data — see page Important-2 of the Industrial Controls catalog (A115-CA001A-EN-P).

[^] Operating temperatures below 0°C (32°F) are based on the absence of freezing moisture and liquids.

SPECIFICATIONS, CONTINUED

Electrical Ratings				
Standard contact block ratings		B300, R300; AC 15, DC 13; 300 VAC; EN/IEC 60947-5-1 and UL 508, 17V, 5 mA min.		
LED Module Ratings	Nominal Voltage	Range	Nominal Current Draw	Frequency
	24V AC	20...26V AC	32 mA	50/60 Hz
	24V DC	18...30V DC	24 mA	DC
	120V AC	102...132V AC	22 mA	50/60 Hz
	240V AC	204...264V AC	22 mA	50/60 Hz
Thermal current		5 A max. enclosed (40°C ambient) to UL508, EN/IEC 60947-5-1		
Insulation voltage (Ui)		300V		
Wire capacity (screw terminal)		#18...14 AWG (0.75...2.5 mm ²), Max. (2) #14 AWG, uses same size wire only		
Recommendations for Ring Lug termination option+		6.35 mm (0.250 in.) Max. outer diameter with 3.8 mm (0.148 in.) hole diameter		
Recommended tightening torque on screw terminals		0.7...0.9 N•m (6...8 lb-in.)		
Dielectric strength (minimum)		2500V for one minute		
External short circuit protection		5 A type gL/gG cartridge fuse to EN 60269-2-1 or gN (Class J to UL 248-8 or Class CC to UL 248-4)		
Electrical shock protection		Finger-safe conforming to IP2X		

Illumination				
LED Dominant Wavelength				
Green	Red	Yellow	Blue	White
525 nm	629 nm	590 nm	470 nm	—
LED Luminous Intensity				
Green	Red	Yellow	Blue	White
890 mcd	890 mcd	690 mcd	193 mcd	412 mcd
Incandescent maximum wattage		2.6 W		

Materials	
Springs	Stainless steel and zinc coated music wire
Electrical contacts	Brass with silver-nickel contacts
Terminals	Brass and phosphor bronze
Panel gasket	Nitrile and polyester-based TPE
Seal	Nitrile
Button cap/mushroom head	Polyester/polycarbonate blend
Lens (pilot light)	Acrylic
Bezel/bushing, housing	Glass-filled polyester
Legend frames	Glass-filled polyamide
Mounting ring	Glass-filled polyamide
Terminal screws	Zinc-plated steel with chromate
Lamp socket	Brass and Phosphor bronze

* Performance Data — see page Important-2 of the Industrial Controls catalog (A115-CA001A-EN-P).
 + 3M MV018-R/S #(22...18 AWG) or 3M MVU14-6R/S (#16...14 AWG)

Product Certifications	
Certifications	UL, CSA, CCC, CE
Conformity to standards - CE marked	UL 508, EN 60947-1, EN 60947-5-1, EN 60947-5-5
Terminal identification	EN/IEC 60947-1

www.rockwellautomation.com

Power, Control and Information Solutions Headquarters

Americas: Rockwell Automation, 1201 South Second Street, Milwaukee, WI 53204-2496 USA, Tel: (1) 414.382.2000, Fax: (1) 414.382.4444

Europe/Middle East/Africa: Rockwell Automation, Vorstlaan/Boulevard du Souverain 36, 1170 Brussels, Belgium, Tel: (32) 2 663 0600, Fax: (32) 2 663 0640

Asia Pacific: Rockwell Automation, Level 14, Core F, Cyberport 3, 100 Cyberport Road, Hong Kong, Tel: (852) 2887 4788, Fax: (852) 2508 1846