

440 Compact Metal 22 mm IEC Style Limit Switches

Rugged, compact solutions for standard and safety applications

The Allen-Bradley 440P limit switch family from Rockwell Automation offers a full range of international style solutions for both safety and standard sensing applications. The latest additions to this product family are rugged metal-bodied models in a compact 22 mm housing. The 440P IEC limit switch family now consists of four different body styles -30 mm metal, 22 mm metal, 22 mm plastic and 15 mm plastic – with a broad selection of operator types, circuit arrangements and connection options, that make the 440P an ideal solution for a wide variety of applications.

Features:

- Compact die-cast alloy metal body with industry standard 22 mm IEC mounting
- Slotted 20-25 mm (0.79-0.98 inches) mounting holes allow for variation in mounting options
- Pre-wired 2 meter cable, exiting either bottom or side of switch
- UL recognized, TÜV and CE marked for applicable directives
- Lever Type and Plunger Type operating styles
- Enclosure Rating NEMA 1, IP66/IP67
- 2 circuit, 1 N.C. and 1 N.O. snap-acting contact
- Direct Opening features for use in safety applications (user must follow EN 954-1 and all other industry standards for safety circuits)
- Category 1 Device per EN 954-1
- Suitable for Category 3 or 4 systems when ganged together and used with a safety relay or safety PLC



440P IEC Style Limit Switches Family

Compact, Rugged and Flexible

The new 22 mm compact metal 440P limit switches offer economical international-style solutions for both safety and standard sensing applications.

This expansion of the 440P family consists of 14 new part numbers with a broad selection of operator types:

- Dome Plunger
- Roller Plunger
- Cross Roller Plunger
- Short lever

All styles except the lever model are available with panel mount threading. Two cable configurations are offered to optimize fit in tight spaces: bottom cable style and side cable style.

The compact metal 440P is ideal for a wide variety of applications, including material handling, packaging, elevators, escalators, scissor lifts, industrial trucks and tractors, cranes and hoists, and overhead doors as well as general safety guarding applications. These models have painted metal bodies and meet NEMA 1 standards as well as IP66 and IP67 (pollution degree 3). They are CE marked for all applicable directives, UL recognized, and TÜV approved.

Benefits:

- A cost effective solution for standard or safety applications
- Design optimized for ease of installation in tight applications
- Positive opening-action contacts for safety applications

LISTEN.
THINK.
SOLVE.™

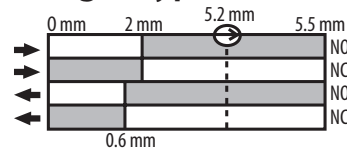
General Ordering Information

Operator Type	Contact		Contact Type	Typical Force/Torque to Operate	Panel Mount	Cat. No.	
	Safety	Aux.				Bottom Cable Style	Side Cable Style
Roller Plunger	1 N.C.	1 N.O.	Snap Acting	5 kg	No	440P-ARPS11C	440P-ARPS11CS
	1 N.C.	1 N.O.	Snap Acting	5 kg	Yes	440P-ARP1S11C	440P-ARP1S11CS
Dome Plunger	1 N.C.	1 N.O.	Snap Acting	5 kg	No	440P-ADPS11C	440P-ADPS11CS
	1 N.C.	1 N.O.	Snap Acting	5 kg	Yes	440P-ADP1S11C	440P-ADP1S11CS
Cross Roller Plunger	1 N.C.	1 N.O.	Snap Acting	5 kg	No	440P-ACRS11C	440P-ACRS11CS
	1 N.C.	1 N.O.	Snap Acting	5 kg	Yes	440P-ACR1S11C	440P-ACR1S11CS
Lever	1 N.C.	1 N.O.	Snap Acting	0.20 Nm	NA	440P-ASLS11C	440P-ASLS11CS

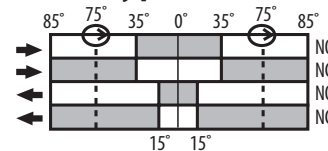
Contact Opening Characteristics

- Open ■ Closed
- ⊕ Positive Opening Point

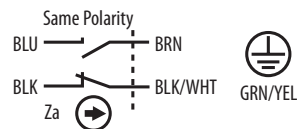
Plunger Type



Lever Type



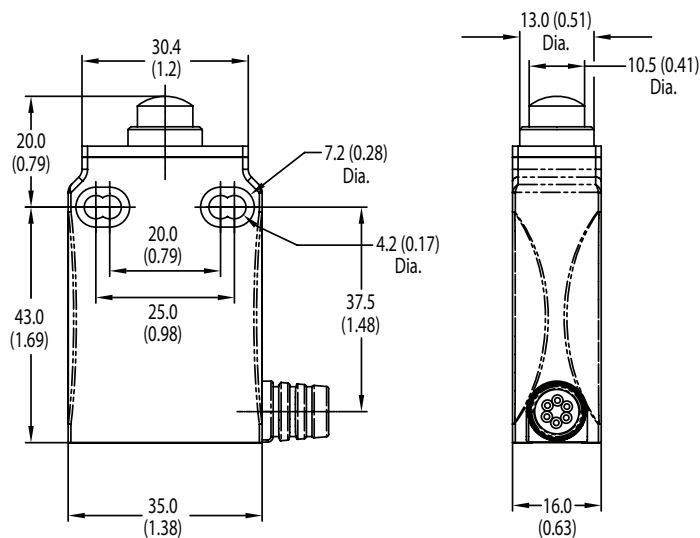
Wiring Diagram



Mounting Dimensions [mm (in.)]

Dimensions in mm (inches). Dimensions are not intended to be used for manufacturing purposes. All dimensions are subject to change.

Dome Plunger Nonpanel Mount model shown. For detailed dimensions and specifications on all models, refer to the Allen-Bradley Sensors Catalog.



www.rockwellautomation.com

Power, Control and Information Solutions Headquarters

Americas: Rockwell Automation, 1201 South Second Street, Milwaukee, WI 53204 USA, Tel: (1) 414.382.2000, Fax: (1) 414.382.4444

Europe/Middle East/Africa: Rockwell Automation, Vorstlaan/Boulevard du Souverain 36, 1170 Brussels, Belgium, Tel: (32) 2 663 0600, Fax: (32) 2 663 0640

Asia Pacific: Rockwell Automation, Level 14, Core F, Cyberport 3, 100 Cyberport Road, Hong Kong, Tel: (852) 2887 4788, Fax: (852) 2508 1846