



Fan Replacement Kit (Cat. No. 160-FRK2, -FRK3)



ATTENTION: To prevent electrical shock, disconnect from power source before installing or servicing.



ACHTUNG: Unterbrechen Sie vor der Installation bzw. Wartung zur Vermeidung von Elektroschocks die Stromzufuhr.



ATENCIÓN: A fin de evitar una descarga eléctrica, desconecte la fuente de potencia antes de instalar o dar mantenimiento a la unidad.



ATTENZIONE: Per evitare il pericolo di scossa elettrica, scollegare la fonte di alimentazione prima dell'installazione o degli interventi di manutenzione.



ATTENTION: Afin d'éviter des décharges électriques, débrancher l'alimentation avant toute installation ou réparation.

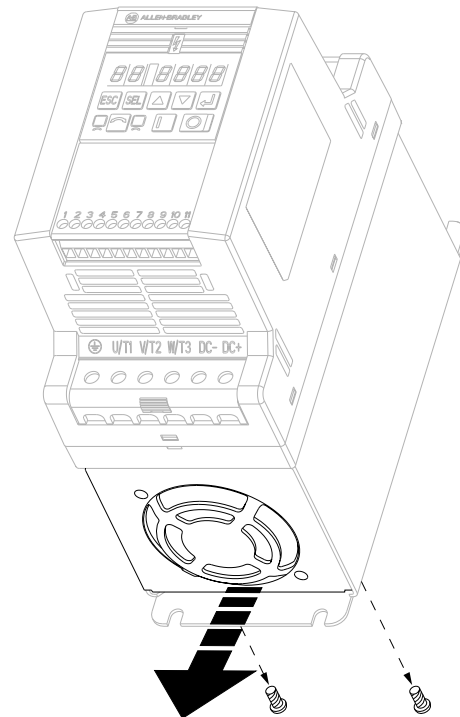
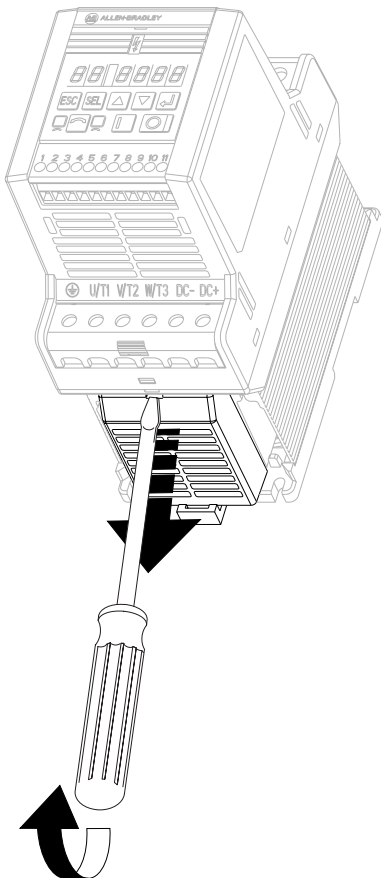


ATENÇÃO: Para evitar o choque elétrico, desconecte da fonte de força antes de instalar ou realizar serviços de manutenção.

160-FRK2

160-FRK3

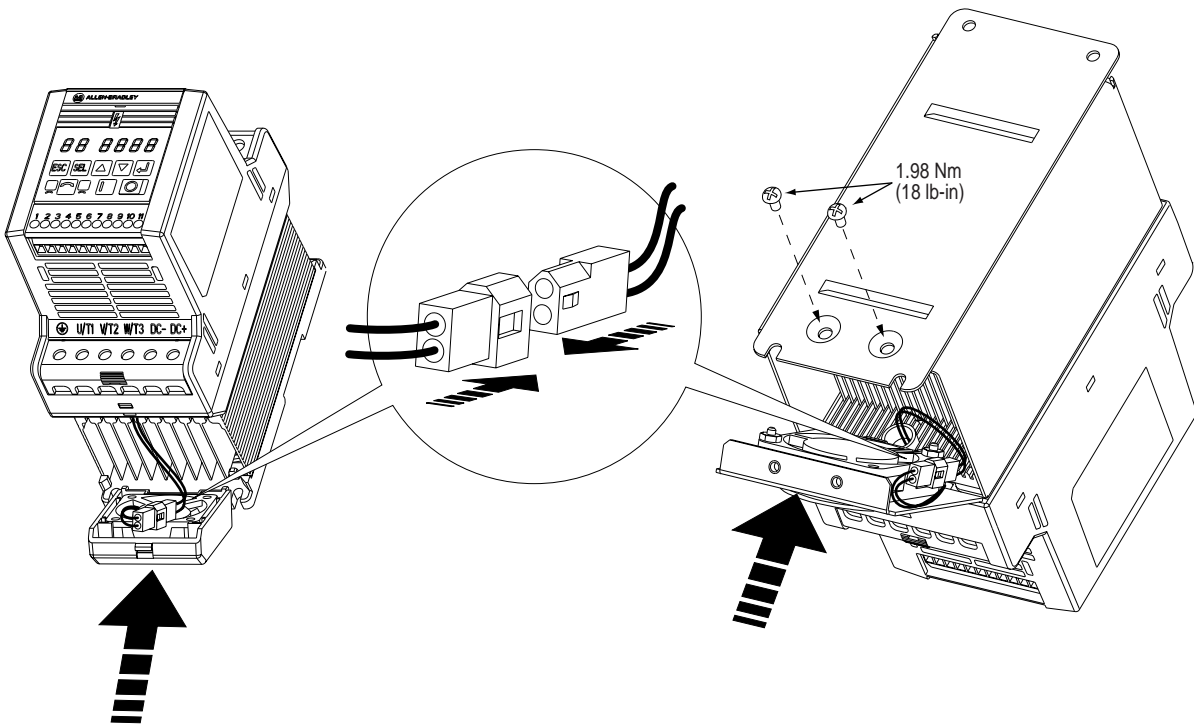
1



160-FRK2

160-FRK3

2



Reach us now at www.rockwellautomation.com

Wherever you need us, Rockwell Automation brings together leading brands in industrial automation including Allen-Bradley controls, Reliance Electric power transmission products, Dodge mechanical power transmission components, and Rockwell Software. Rockwell Automation's unique, flexible approach to helping customers achieve a competitive advantage is supported by thousands of authorized partners, distributors and system integrators around the world.

Americas Headquarters, 1201 South Second Street, Milwaukee, WI 53204, USA, Tel: (1) 414 382-2000, Fax: (1) 414 382-4444
European Headquarters SA/NV, avenue Herrmann Debroux, 46, 1160 Brussels, Belgium, Tel: (32) 2 663 06 00, Fax: (32) 2 663 06 40
Asia Pacific Headquarters, 27/F Citicorp Centre, 18 Whitfield Road, Causeway Bay, Hong Kong, Tel: (852) 2887 4788, Fax: (852) 2508 1846



Rockwell Automation