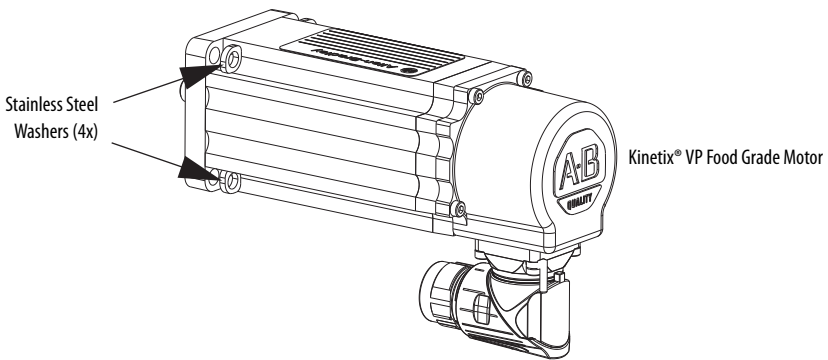


# Kinetix VP Food Grade Washer Kits

Catalog Numbers VPF-WSHR-F063075, VPF-WSHR-F100, VPF-WSHR-F115, VPF-WSHR-F130, VPF-WSHR-F165

Stainless steel washers inserted between the fastener head and motor flange are recommended as a mounting best practice. Insert washers between the mounting fastener head and motor flange.



**ATTENTION:** To further protect the finish on the motor, we recommend that you insert stainless steel washers (smooth side on paint) between the fastener head and motor flange.

Each kit contains four stainless-steel washers.

## Washer Kit Catalog Numbers

Washer Kit Cat. No.	Motor Cat. No.
VPF-WSHR-F063075	VPF-A063xx, VPF-B063xx
	VPF-A075xx, VPF-B075xx
VPF-WSHR-F100	VPF-A100xx, VPF-B100xx
VPF-WSHR-F115	VPF-A115xx, VPF-B115xx
VPF-WSHR-F130	VPF-A130xx, VPF-B130xx
VPF-WSHR-F165	VPF-A165xx, VPF-B165xx

# Additional Resources

These documents contain additional information concerning related products from Rockwell Automation.

Resource	Description
Kinetix Rotary Motion Specifications Technical Data, publication <a href="#">KNX-TD001</a>	Product specifications for Allen-Bradley® rotary motors, with performance, environmental, certifications, load force, and dimension drawings.
Industrial Automation Wiring and Grounding Guidelines, publication <a href="#">1770-4.1</a>	Provides general guidelines for installing a Rockwell Automation® industrial system.
Product Certifications website, <a href="http://www.rockwellautomation.com/global/certification/overview.page">http://www.rockwellautomation.com/global/certification/overview.page</a>	Provides declarations of conformity, certificates, and other certification details.

You can view or download publications at <http://www.rockwellautomation.com/global/literature-library/overview.page>. To order paper copies of technical documentation, contact your local Allen-Bradley distributor or Rockwell Automation sales representative.

## Rockwell Automation Support

For technical support, visit <http://www.rockwellautomation.com/support/overview.page>.

Rockwell Automation maintains current product environmental information on its website at <http://www.rockwellautomation.com/rockwellautomation/about-us/sustainability-ethics/product-environmental-compliance.page>.

Allen-Bradley, Kinetix, Rockwell Automation, and Rockwell Software are trademarks of Rockwell Automation, Inc. Trademarks not belonging to Rockwell Automation are property of their respective companies.

Rockwell Otomasyon Ticaret A.Ş., Kar Plaza İş Merkezi E Blok Kat:6 34752 İçerenköy, İstanbul, Tel: +90 (216) 5698400  
[www.rockwellautomation.com](http://www.rockwellautomation.com)

### Power, Control and Information Solutions Headquarters

Americas: Rockwell Automation, 1201 South Second Street, Milwaukee, WI 53204-2496 USA, Tel: (1) 414.382.2000, Fax: (1) 414.382.4444  
Europe/Middle East/Africa: Rockwell Automation NV, Pegasus Park, De Kleetlaan 12a, 1831 Diegem, Belgium, Tel: (32) 2 663 0600, Fax: (32) 2 663 0640  
Asia Pacific: Rockwell Automation, Level 14, Core F, Cyberport 3, 100 Cyberport Road, Hong Kong, Tel: (852) 2887 4788, Fax: (852) 2508 1846



PN-384739