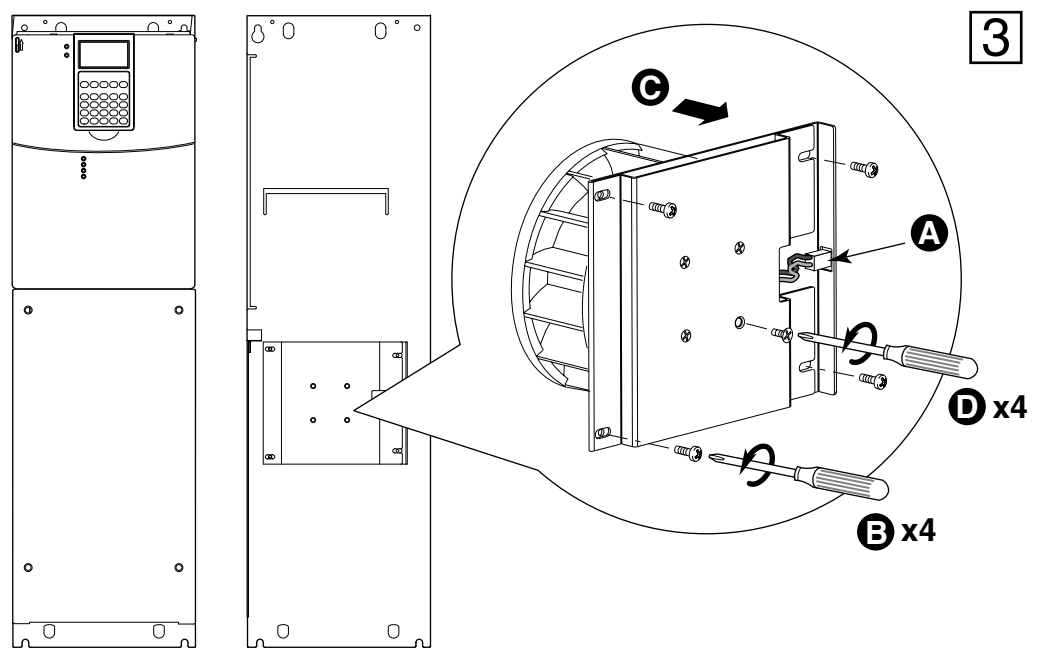
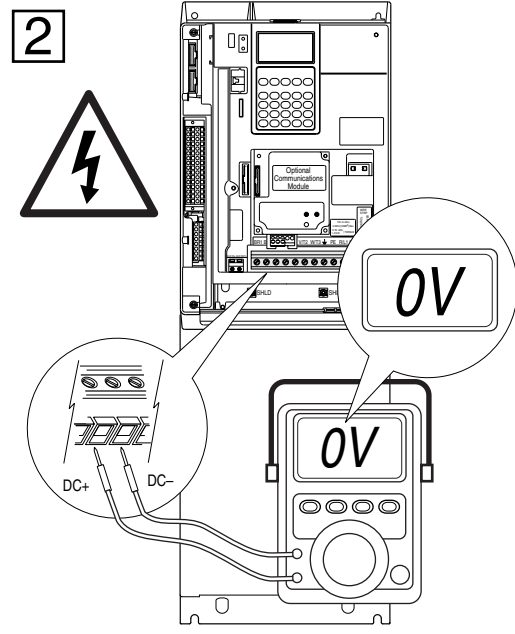
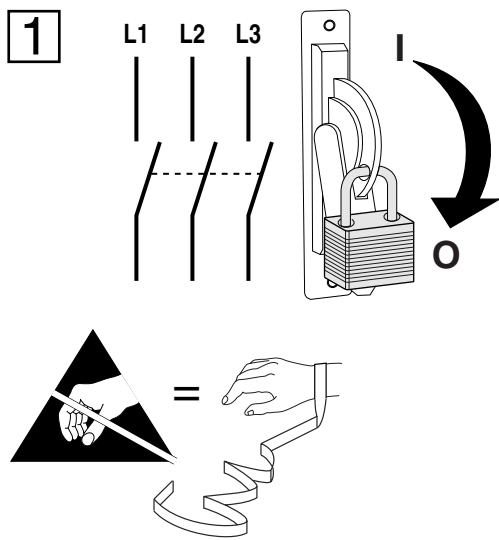
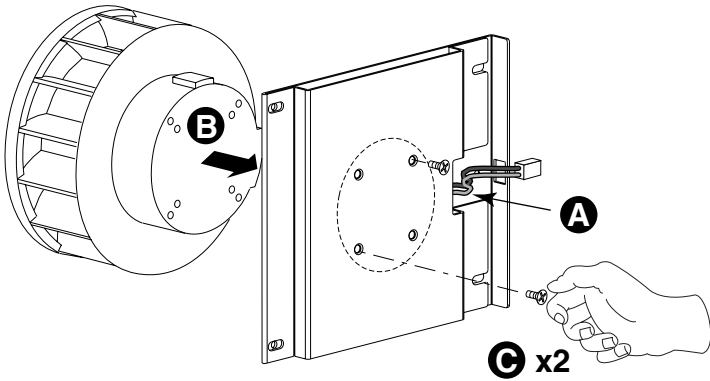


**Fan Removal – Frame 4**

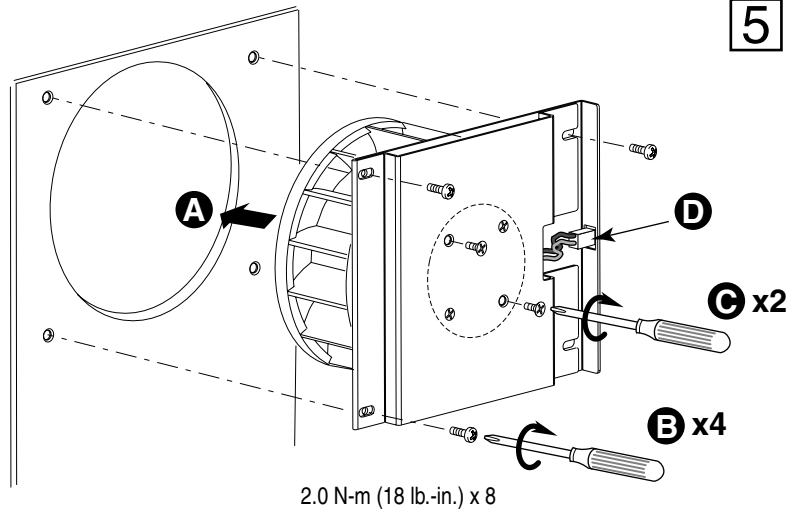
*Installation Instructions  
Installationsanleitung  
Installation  
Installazione  
Instalación  
Instruccies  
Instalação*



4



5



[www.rockwellautomation.com](http://www.rockwellautomation.com)

**Power, Control and Information Solutions Headquarters**

Americas: Rockwell Automation, 1201 South Second Street, Milwaukee, WI 53204-2496 USA, Tel: (1) 414.382.2000, Fax: (1) 414.382.4444

Europe/Middle East/Africa: Rockwell Automation, Vorstlaan/Boulevard du Souverain 36, 1170 Brussels, Belgium, Tel: (32) 2 663 0600, Fax: (32) 2 663 0640

Asia Pacific: Rockwell Automation, Level 14, Core F, Cyberport 3, 100 Cyberport Road, Hong Kong, Tel: (852) 2887 4788, Fax: (852) 2508 1846

Publication RA-IN008A-MU-P – October, 2003

P/N 320807-P01  
Copyright © 2003 Rockwell Automation, Inc. All rights reserved. Printed in USA.