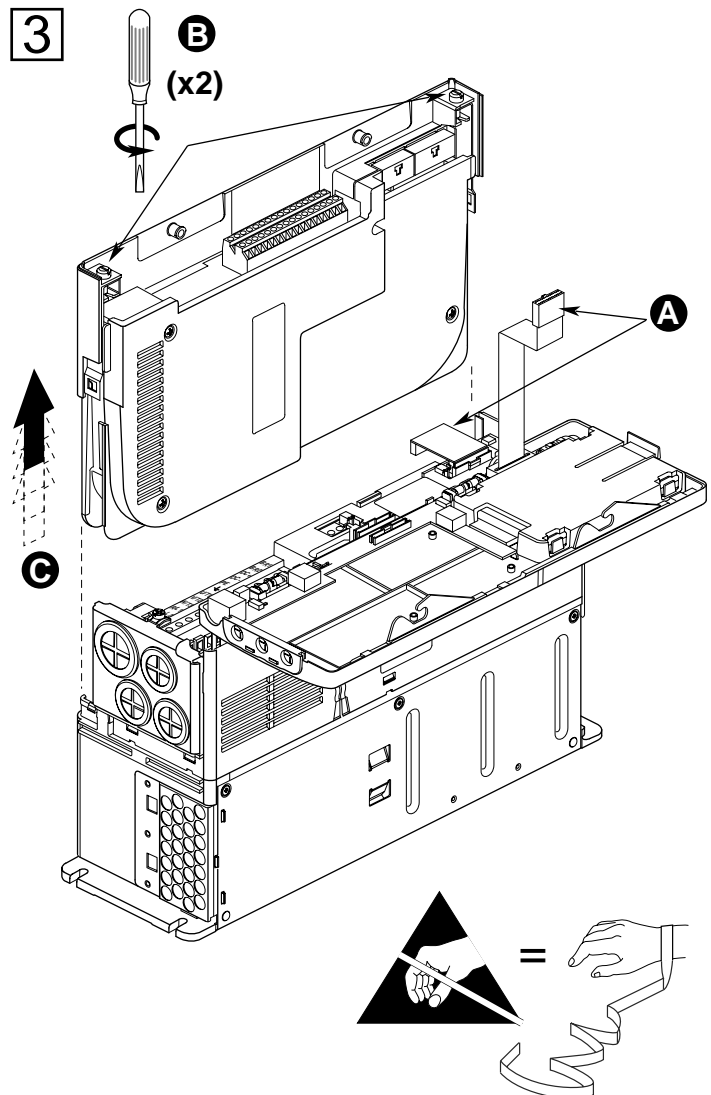
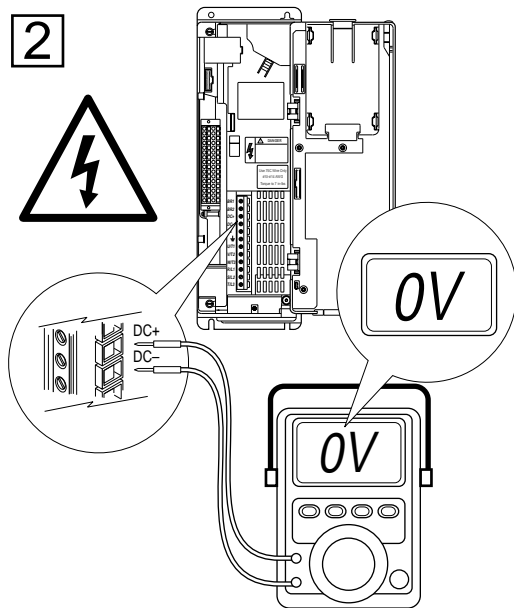
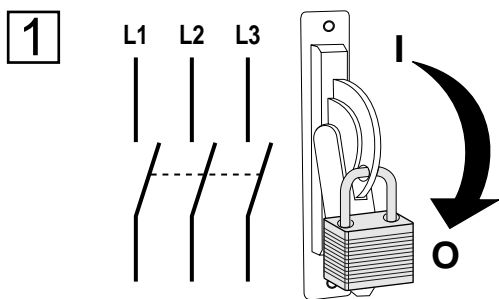


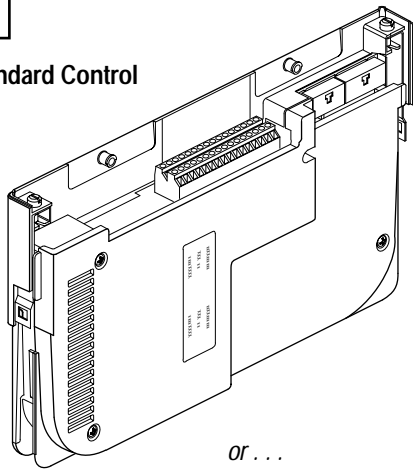
Control and I/O Cassette  
Steuerungs- und E/A-Kassette  
Boîtier de commande et d'E/S  
cassetto estraibile per schede di regolazione ed I/O  
Tarjeta de Control y Modulo de Entradas/Salidas  
Controle en I/O cassette  
Gaveta de Controle e E/S

Installation Instructions  
Installationsanleitung  
Installation  
Instalazione  
Instalación  
Instruccies  
Instalação



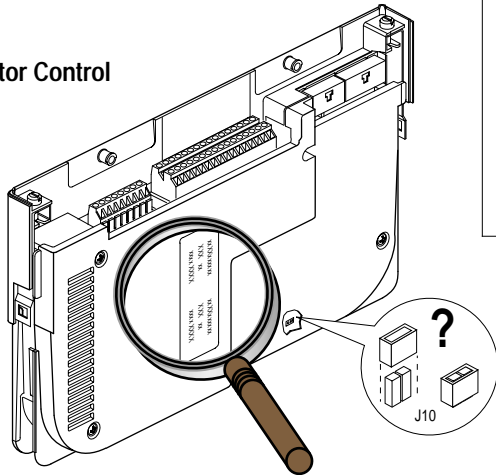
4

Standard Control



or . . .

Vector Control

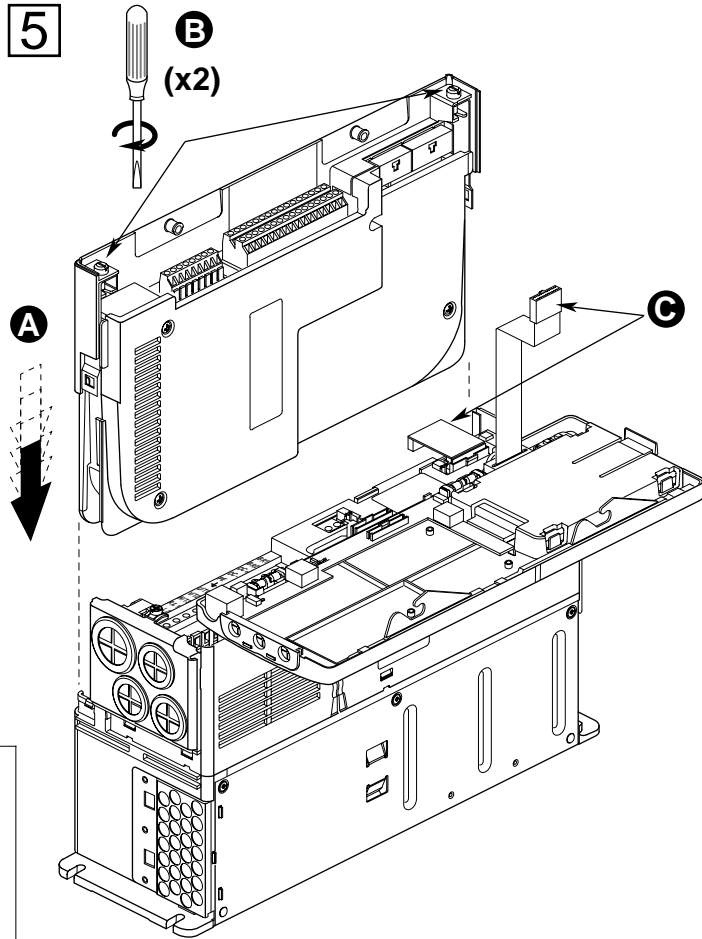


5

B (x2)

A

C



[www.rockwellautomation.com](http://www.rockwellautomation.com)

**Power, Control and Information Solutions Headquarters**

Americas: Rockwell Automation, 1201 South Second Street, Milwaukee, WI 53204-2496 USA, Tel: (1) 414.382.2000, Fax: (1) 414.382.4444

Europe/Middle East/Africa: Rockwell Automation, Vorstlaan/Boulevard du Souverain 36, 1170 Brussels, Belgium, Tel: (32) 2 663 0600, Fax: (32) 2 663 0640

Asia Pacific: Rockwell Automation, Level 14, Core F, Cyberport 3, 100 Cyberport Road, Hong Kong, Tel: (852) 2887 4788, Fax: (852) 2508 1846