



BULLETIN 871TM

INDUCTIVE PROXIMITY SENSOR

133-557(A)

SPECIFICATIONS

Load Current	≤ 200 mA
Capacitive Load	≤ 1 μf
Leakage Current	≤ 10 μA
Operating Voltage	10-30 VDC
Voltage Drop	≤ 1 V at 200 mA
Repeatability	≤ 1% at constant temperature
Hysteresis	10% typical
Short Circuit Protection	Incorporated
Overload Protection	Incorporated (trigger at 300 mA typical)
False Pulse Protection	Incorporated
Transient Noise Protection	Incorporated
Reverse Polarity Protection	Incorporated

Enclosure NEMA 1, 2, 3, 3R, 4, 4X, 5, 6, 6P, 12, 13
IEC 529, IP 67

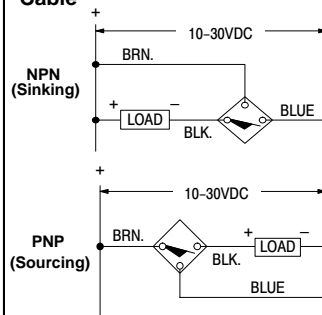
Cable 2 Meter (6.5 ft), 3 conductor
Stainless steel face and barrel
Quick Disconnect 4 pin, Micro and Mini types
LED Output Energized

Temperature: Operating: -25° C to + 70° C
(-13° F to 158° F)

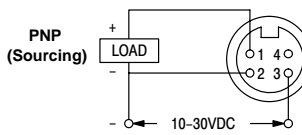
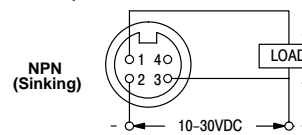
Shock and Vibration 5G, 30-120 Hz
3 mutually perpendicular & 1 worst plane

WIRING DIAGRAMS

Cable



Mini Q.D.



Micro Q.D.

