

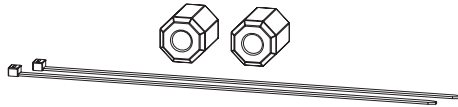
PowerFlex 755 AC Drives EMC Cores

Frames 8... 10

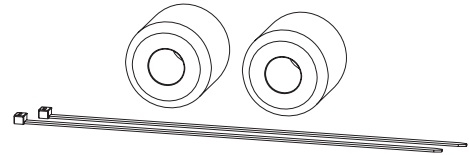
Kit Number: 20-750-EMCSSM1-F8

Required for EMC compliance when a Safe Speed Monitor option (20-750-S1) is installed.

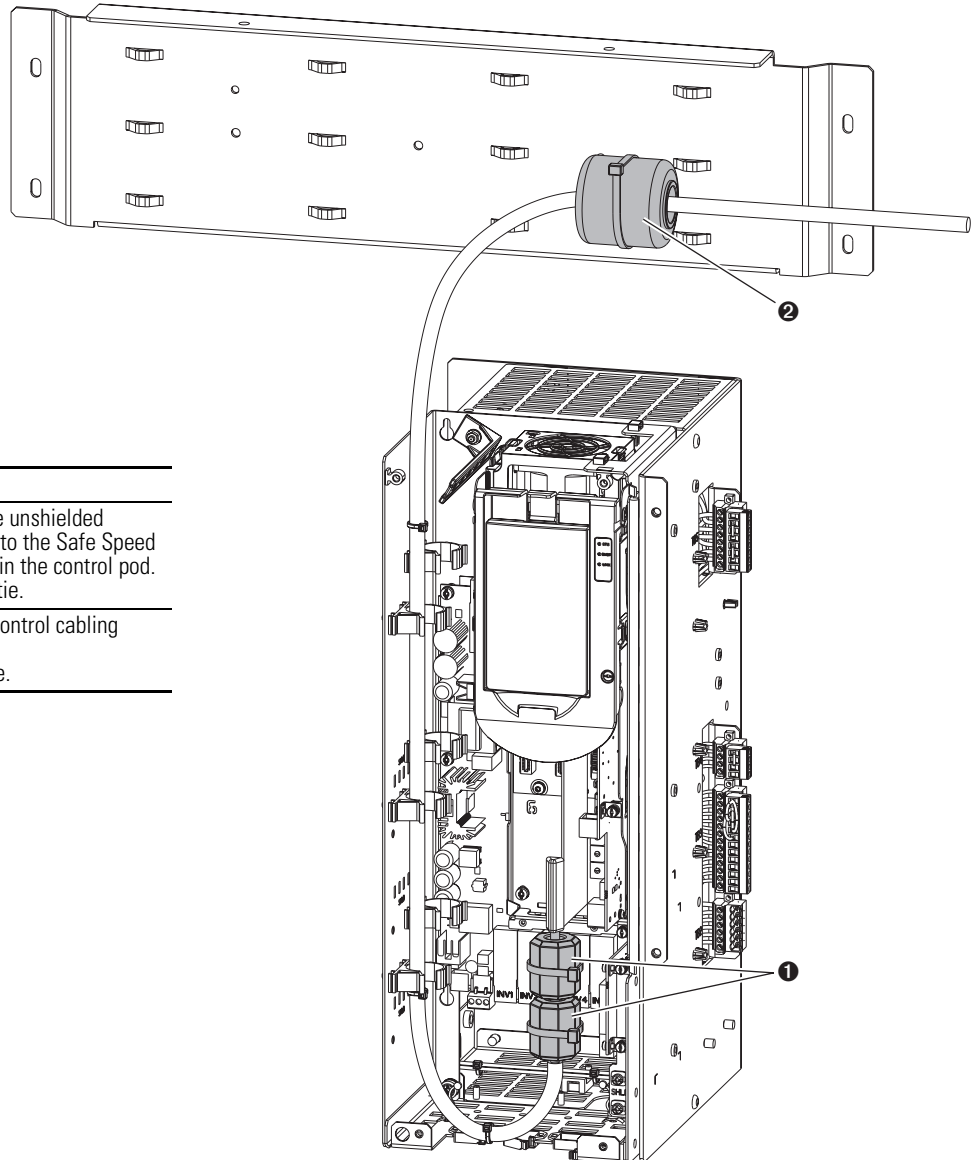
Type A Cores: Fair-Rite 0446164181



Type B Cores: Leadertech CS28B2000

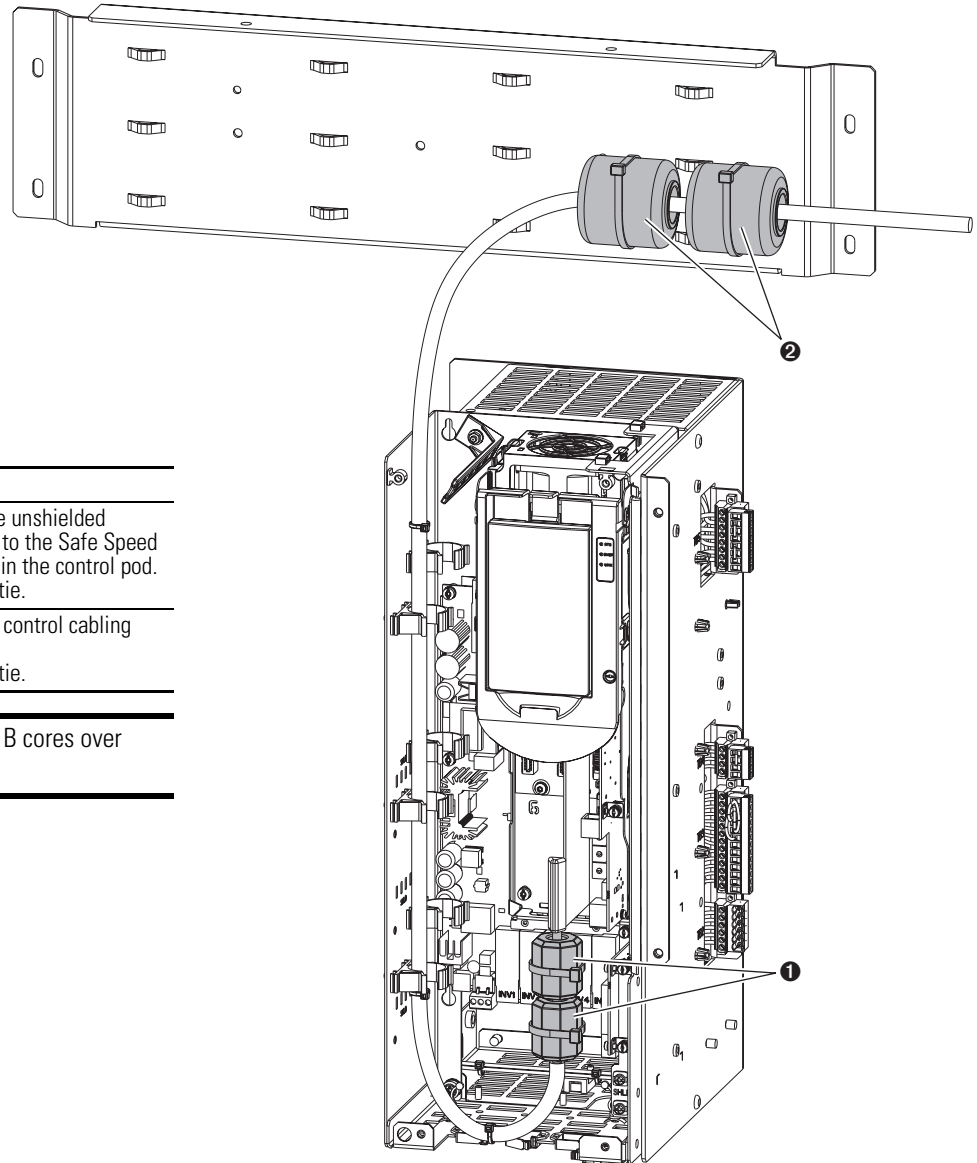


Frame 8



No.	Description
1	1. Install two Type A cores over the unshielded portions of the wires connected to the Safe Speed Monitor option (20-750-S1) within the control pod. 2. Wrap each core with one cable tie.
2	1. Install one Type B core over all control cabling outside of the control pod. 2. Wrap the core with one cable tie.

Frames 9...10



No.	Description
①	1. Install two Type A cores over the unshielded portions of the wires connected to the Safe Speed Monitor option (20-750-S1) within the control pod. 2. Wrap each core with one cable tie.
②	1. Install two Type B cores over all control cabling outside of the control pod. 2. Wrap each core with one cable tie.

IMPORTANT Do not install Type B cores over fiber-optic cables.

U.S. Allen-Bradley Drives Technical Support - Tel: (1) 262.512.8176, Fax: (1) 262.512.2222, E-mail: support@drives.ra.rockwell.com, Online: www.ab.com/support/abdrives



PN-141053

www.rockwellautomation.com

Power, Control and Information Solutions Headquarters

Americas: Rockwell Automation, 1201 South Second Street, Milwaukee, WI 53204-2496 USA, Tel: (1) 414.382.2000, Fax: (1) 414.382.4444

Europe/Middle East/Africa: Rockwell Automation, Pegasus Park, De Kleetlaan 12a, 1831 Diegem, Belgium, Tel: (32) 2 663 0600, Fax: (32) 2 663 0640

Asia Pacific: Rockwell Automation, Level 14, Core F, Cyberport 3, 100 Cyberport Road, Hong Kong, Tel: (852) 2887 4788, Fax: (852) 2508 1846

Publication 750-IN024B-EN-P – February 2012

Supersedes 750-IN024A-EN-P – September 2011

Copyright © 2012 Rockwell Automation, Inc. All rights reserved. Printed in USA.