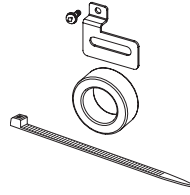


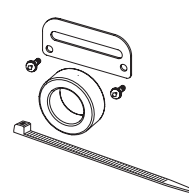


PowerFlex 750-Series EMC Cores –  
Frames 2...5

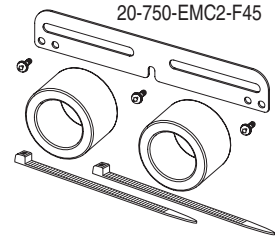
20-750-EMC2-F2



20-750-EMC2-F3

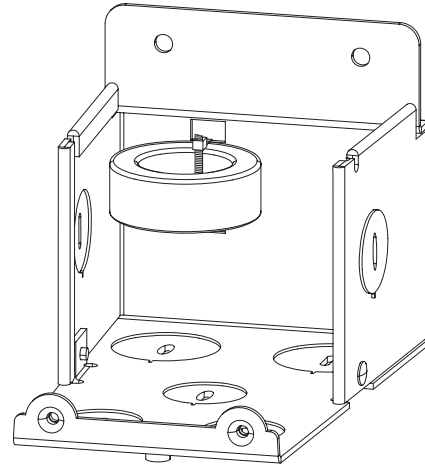
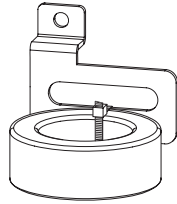


20-750-EMC2-F45

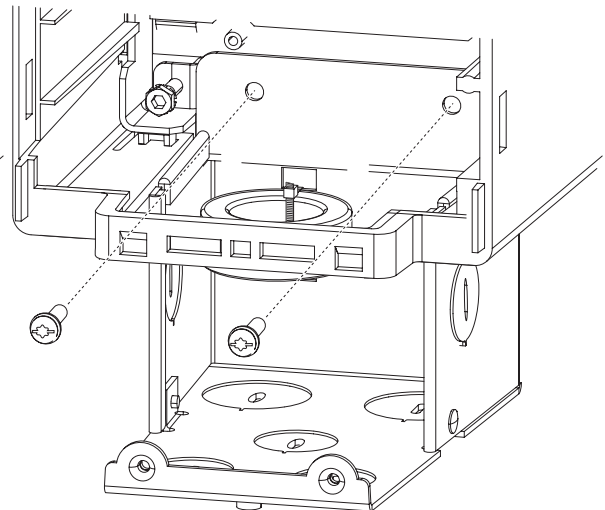
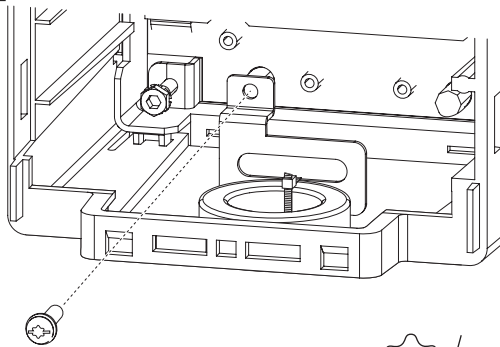


Frame 2

1



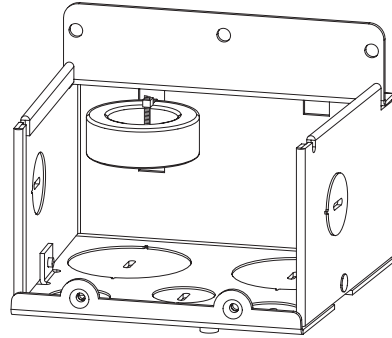
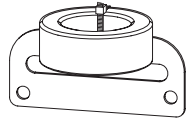
2



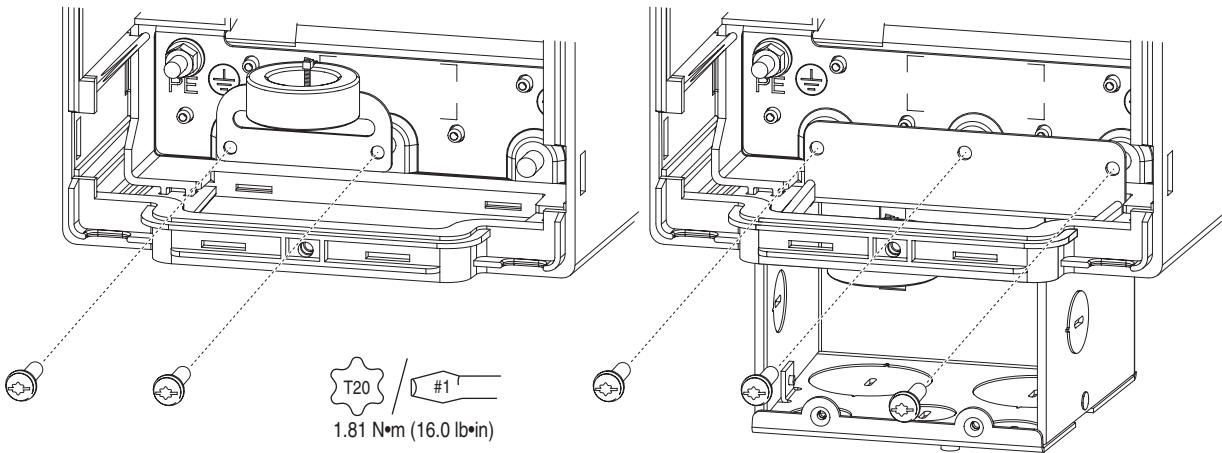
T20 / #1  
1.81 N•m (16.0 lb•in)

Frame 3

1

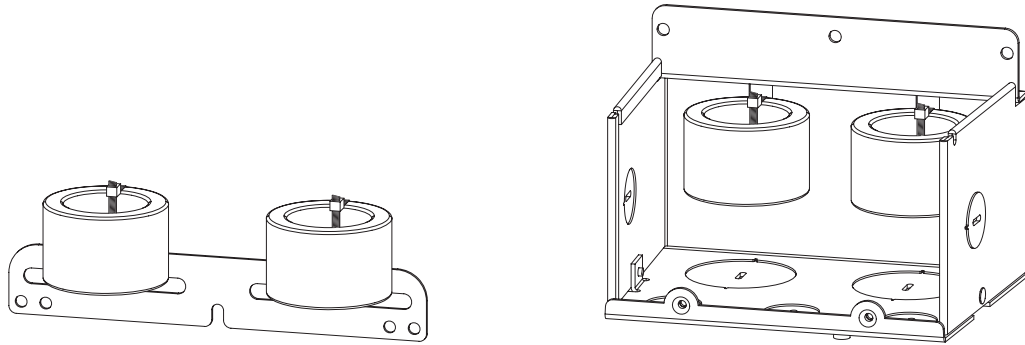


2

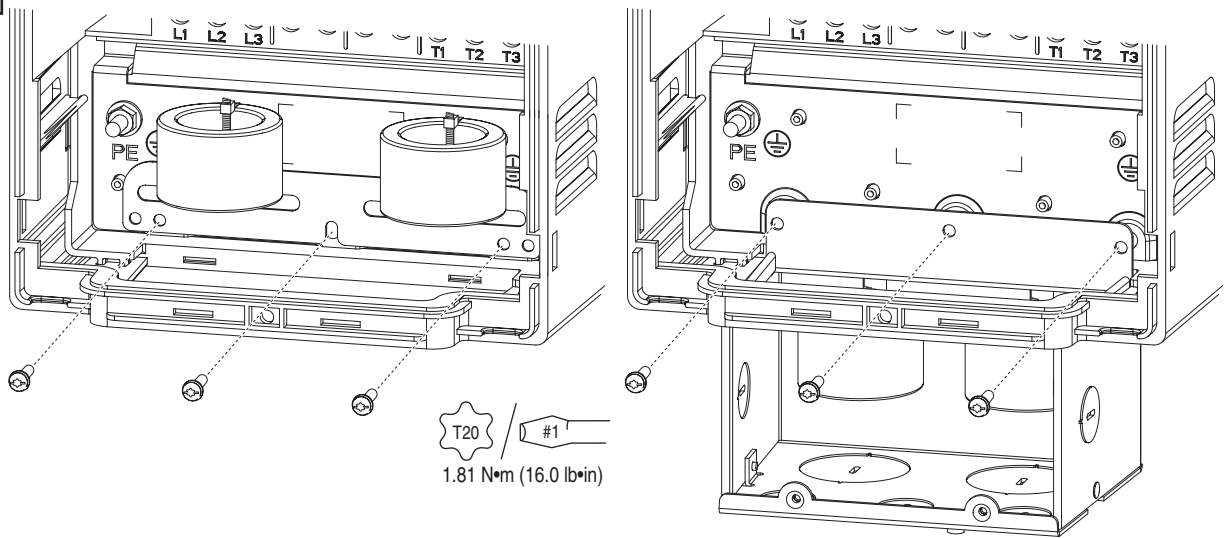


Frames 4 and 5

1



2



[www.rockwellautomation.com](http://www.rockwellautomation.com)



PN-36839

---

**Power, Control and Information Solutions Headquarters**

Americas: Rockwell Automation, 1201 South Second Street, Milwaukee, WI 53204 USA, Tel: (1) 414.382.2000, Fax: (1) 414.382.4444

Europe/Middle East/Africa: Rockwell Automation, Vorstlaan/Boulevard du Souverain 36, 1170 Brussels, Belgium, Tel: (32) 2 663 0600, Fax: (32) 2 663 0640

Asia Pacific: Rockwell Automation, Level 14, Core F, Cyberport 3, 100 Cyberport Road, Hong Kong, Tel: (852) 2887 4788, Fax: (852) 2508 1846