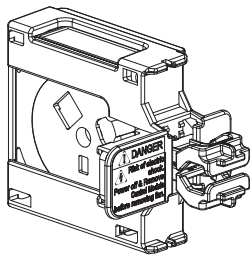


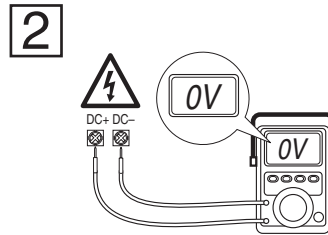
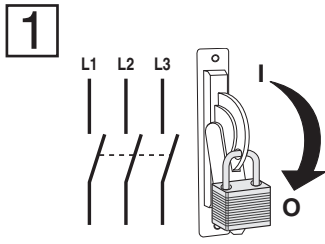


PowerFlex 527 Control Module Internal Fan Kit

Catalog Number: 25C-FAN2-INT



25C-FAN2-INT



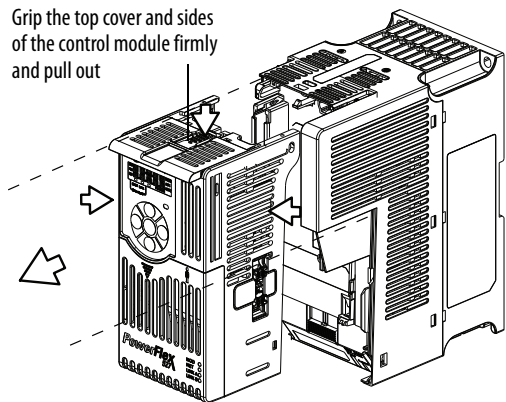
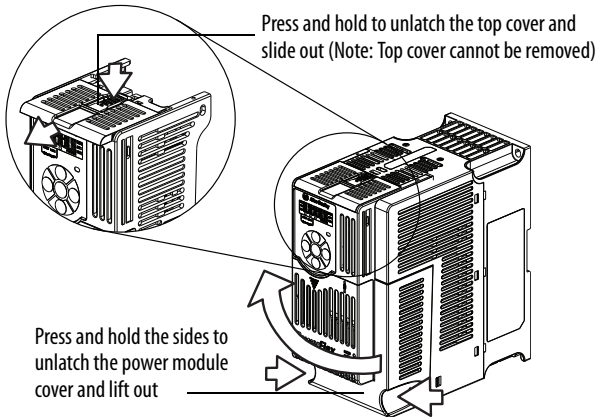
Wait three minutes after shutdown for capacitors to discharge to safe voltage levels.



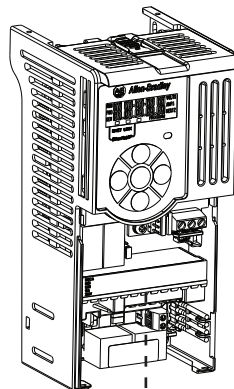
ATTENTION: The temperature inside the control module may exceed 80 °C (176 °F) when the internal fan is not working. Wait for the control module to cool down before replacing the internal fan.

ATTENTION: The control module must be separated from the power module before removing the internal fan. Do not replace the internal fan while the drive is in operation.

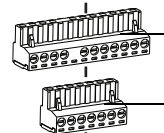
3 Separate the Control Module and Power Module



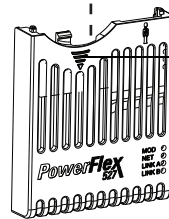
4 Remove the Control Module Terminal Blocks



IMPORTANT It is recommended to remove the control wires before removing the control terminal blocks.



Grip the flat surface of the terminal block firmly and pull out (Note: Remove the big terminal block first, followed by the small terminal block)

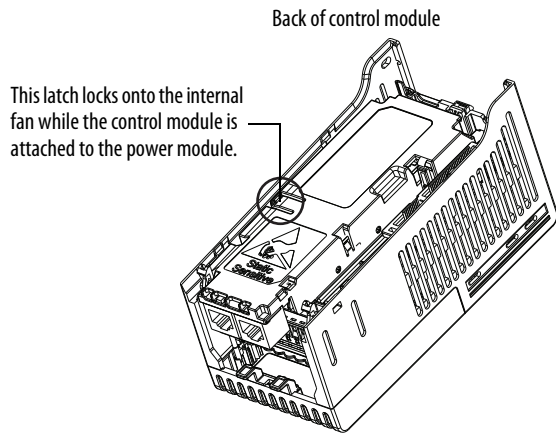
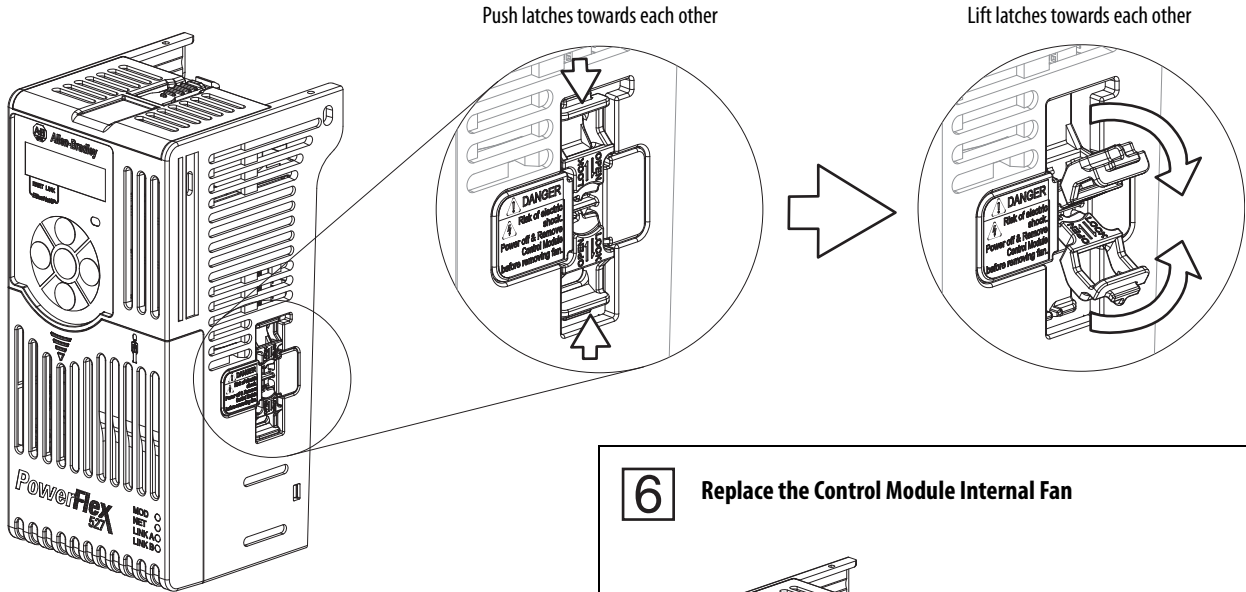


Press and hold the triangle to unlatch the front cover and slide out

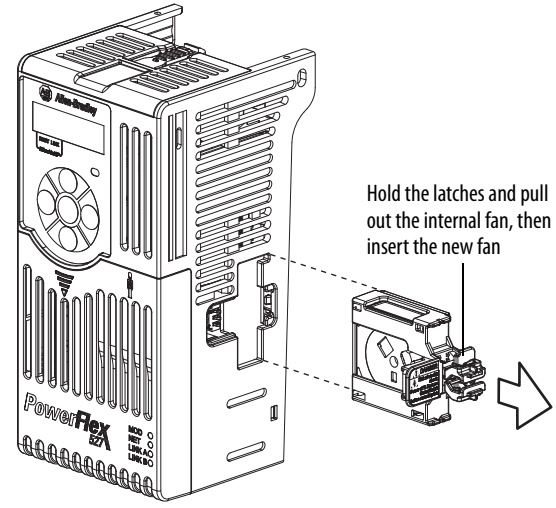
5 Unlock the Control Module Internal Fan



ATTENTION: Make sure you have separated the control module from the power module as shown in step 3. Do not forcibly remove the internal fan.



6 Replace the Control Module Internal Fan



U.S. Allen-Bradley Drives Technical Support - Tel: (1) 262.512.8176, Fax: (1) 262.512.2222, E-mail: support@drives.ra.rockwell.com
Online: <http://www.ab.com/support/abdrives>

Rockwell Automation maintains current product environmental information on its website at <http://www.rockwellautomation.com/rockwellautomation/about-us/sustainability-ethics/product-environmental-compliance.page>

Allen-Bradley, Rockwell Software, Rockwell Automation, PowerFlex, and TechConnect are trademarks of Rockwell Automation, Inc.
Trademarks not belonging to Rockwell Automation are property of their respective companies.

www.rockwellautomation.com

Power, Control and Information Solutions Headquarters

Americas: Rockwell Automation, 1201 South Second Street, Milwaukee, WI 53204-2496 USA, Tel: (1) 414.382.2000, Fax: (1) 414.382.4444
Europe/Middle East/Africa: Rockwell Automation NV, Pegasus Park, De Kleetlaan 12a, 1831 Diegem, Belgium, Tel: (32) 2 663 0600, Fax: (32) 2 663 0640
Asia Pacific: Rockwell Automation, Level 14, Core F, Cyberport 3, 100 Cyberport Road, Hong Kong, Tel: (852) 2887 4788, Fax: (852) 2508 1846