



Bulletin 599 Service Disconnect Ground Kit Installation Instructions

(Cat. No. 599-GR1, -GR2, -GR3)

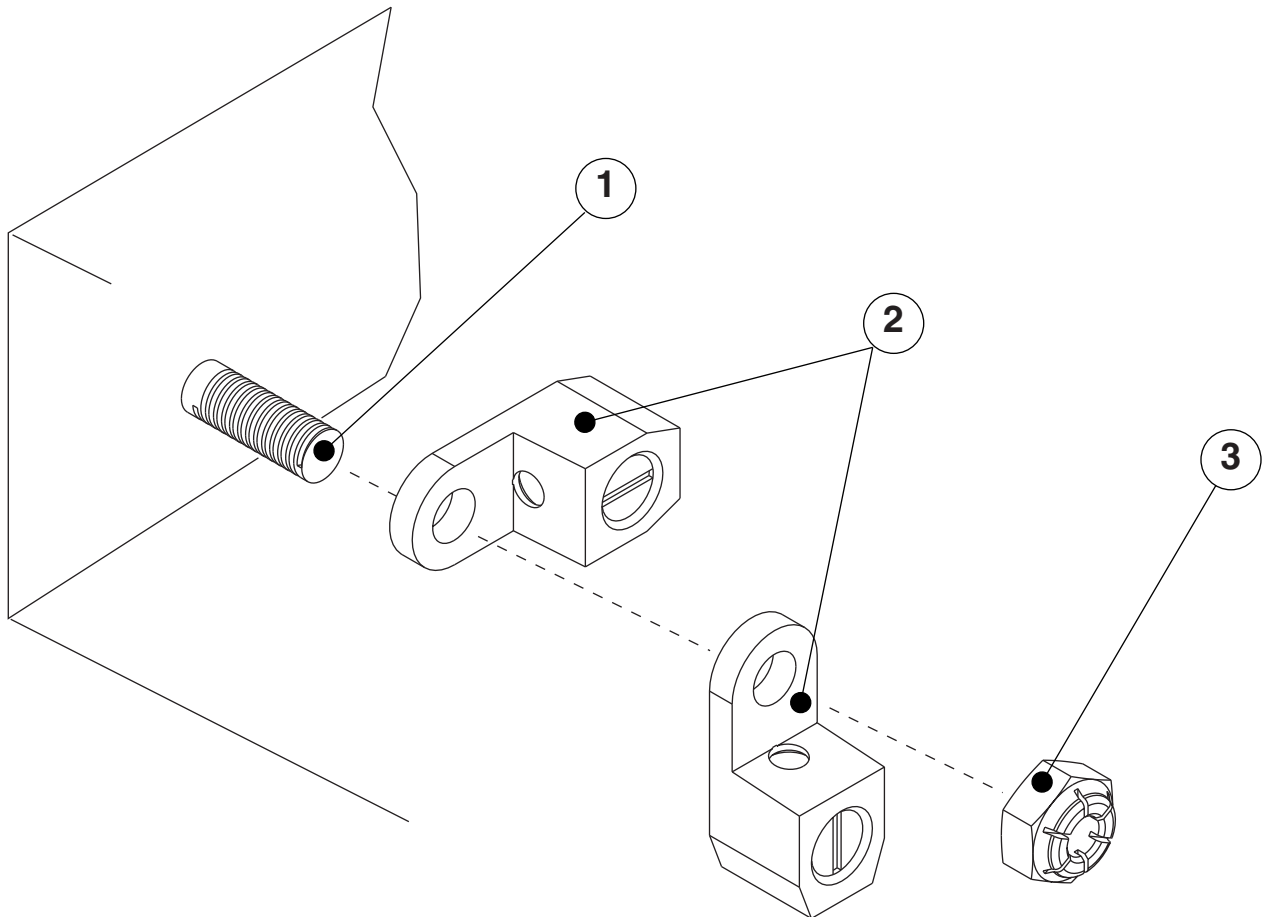
⚠ ATTENTION: To prevent electrical shock, disconnect from power source before installing or servicing. Install in suitable enclosure. Keep free from contaminants.

NOTE:

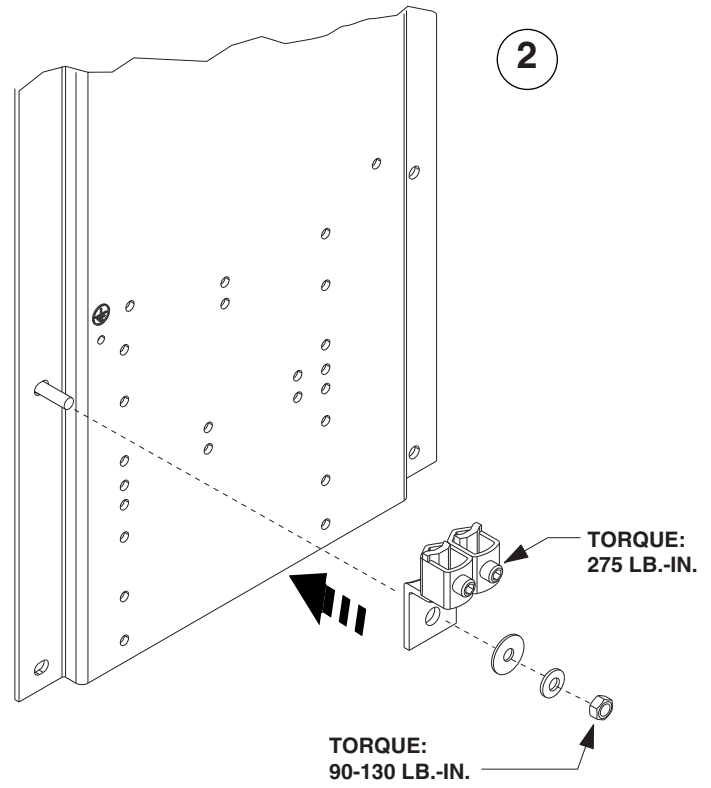
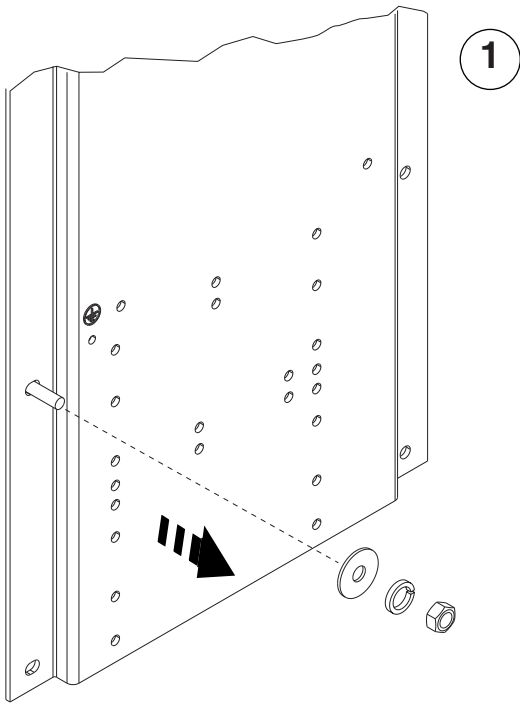
Use 599-GR1 for starter sizes 0-2 and disconnect sizes 30A-60A.
Use 599-GR2 for starter sizes 3-4 and disconnect sizes 100A-200A.
Use 599-GR3 for starter sizes 5-6 and disconnect sizes 400A-600A.

INSTALLATION FOR 599-GR1 AND 599-GR2:

1. Locate ground stud (1) in the lower left corner of enclosure base.
2. Stack lugs (2) over ground stud.
3. Install and tighten locknut (3) to torque of **40-60 LB.-INS. (4.5-6.8 N·M)**



INSTALLATION:
599-GR3 (50" (H) x 22" (W) ENCLOSURE SIZE)



599-GR3 (56" (H) x 30" (W) ENCLOSURE SIZE)

