



Fuse Shield Installation

Bulletin 1494F Disconnect Switch - 30, 60 and 100 A.

(Cat 1495-N50)

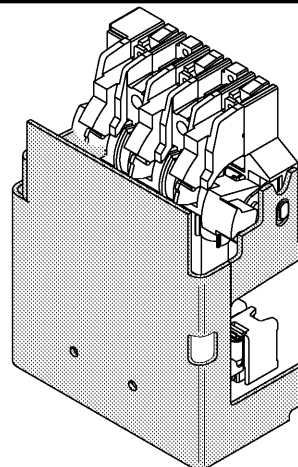
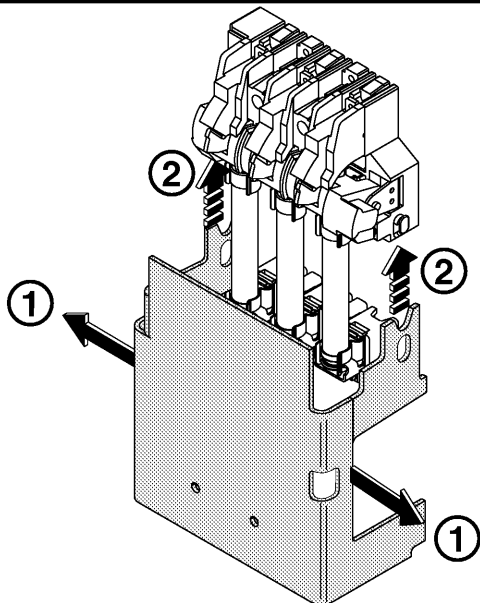


ATTENTION: To prevent electrical shock, disconnect from power source before installing or servicing. Install in suitable enclosure. Keep free from contaminants.

Installation

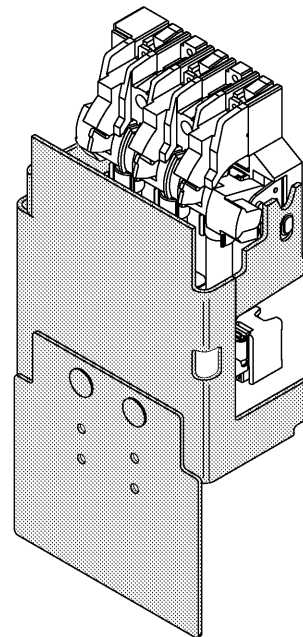
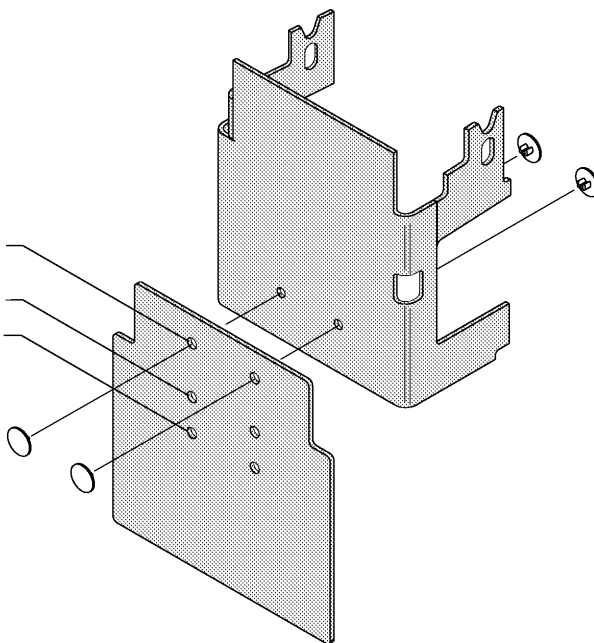
Non-Fused

- 30 A, 250 V, Class H, R Fuses
- 30 A, 600 V, Class H, J, R Fuses
- 60 A, 250 V, Class H, R Fuses
- 60 A, 600 V, Class H, J, R Fuses
- 100 A, 600 V, Class J Fuses

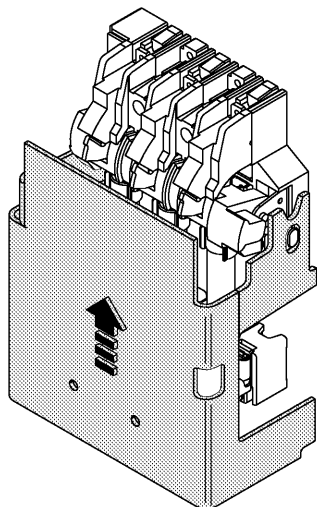


200 A, 600 V, Class H, R Fuses

- 100 A, 600 V, Class H, R Fuses
- 100 A, 250 V, Class H, R Fuses
- 200 A, 250 V, Class H, R Fuses
- 200 A, 600 V, Class J Fuses



Removal





Fuse Shield Installation

Bulletin 1494F Disconnect Switch - 200 A.

(Cat 1495-N51)

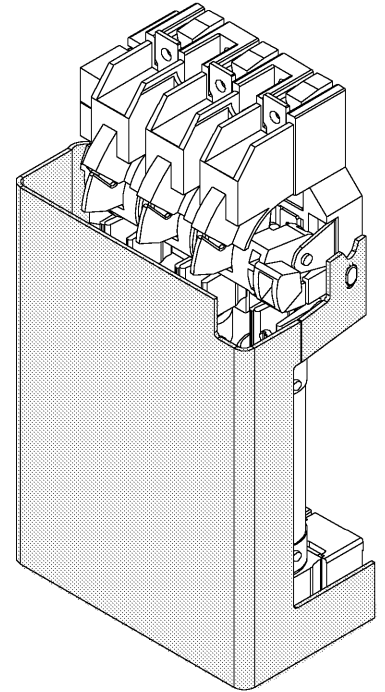
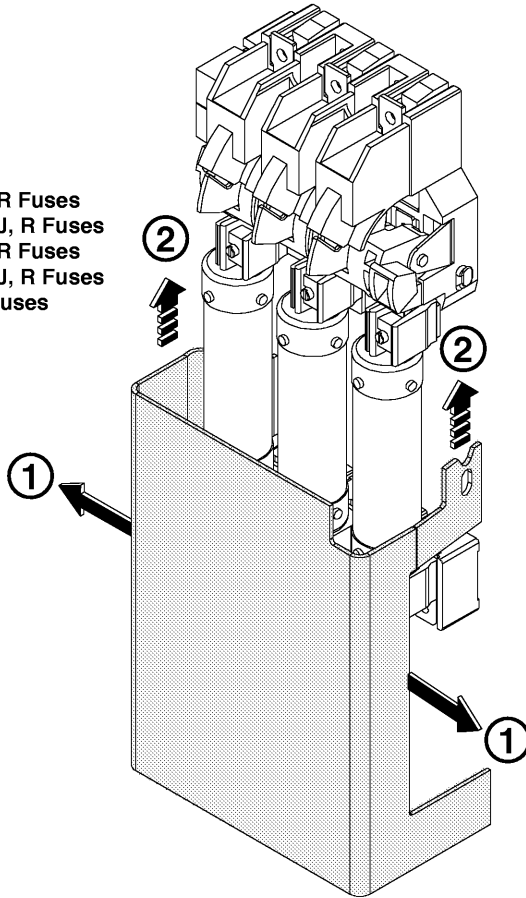


ATTENTION: To prevent electrical shock, disconnect from power source before installing or servicing. Install in suitable enclosure. Keep free from contaminants.

Installation

Non-Fused

- 100 A, 250 V, Class H, R Fuses
- 100 A, 600 V, Class H, J, R Fuses
- 200 A, 250 V, Class H, R Fuses
- 200 A, 600 V, Class H, J, R Fuses
- 400 A, 600 V, Class J Fuses



Removal

