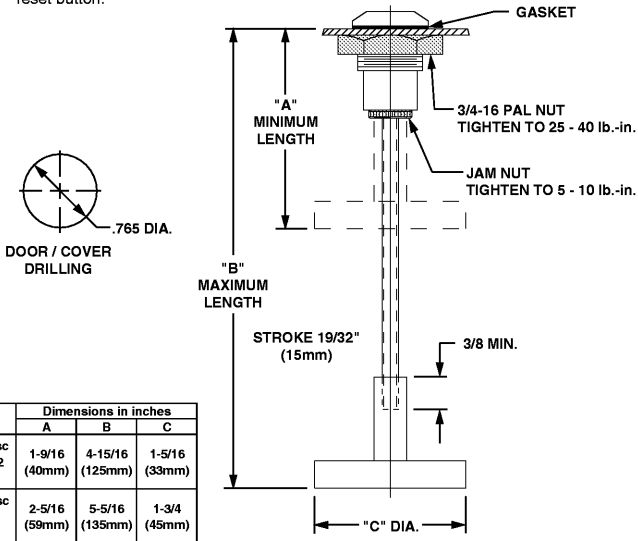


INSTRUCTIONS

Adjustable Overload Relay Reset Button Catalog No. 1493-N2(B)

Included with this kit are two reset discs. The small diameter disc is for use with starter Sizes 00, 0, 1, 2 and 5. The large diameter disc is for Sizes 3 and 4 starters. See illustration below for assembly of adjustable reset button.



Dimensions	Dimensions in inches		
	A	B	C
With Small Disc Size 00, 0, 1, 2 and 5 Relays	1-9/16 (40mm)	4-15/16 (125mm)	1-5/16 (33mm)
With Large Disc Size 3 and 4 Relays	2-5/16 (59mm)	5-5/16 (135mm)	1-3/4 (45mm)

42052-015-01(A)

Printed in U.S.A.

Rockwell Automation