

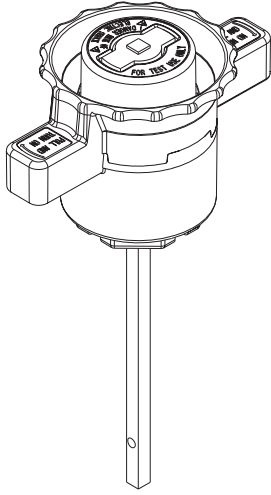


# Installation Instructions for Bulletin 140U NFPA 79 Internal Rotary Operating NFPA Handle

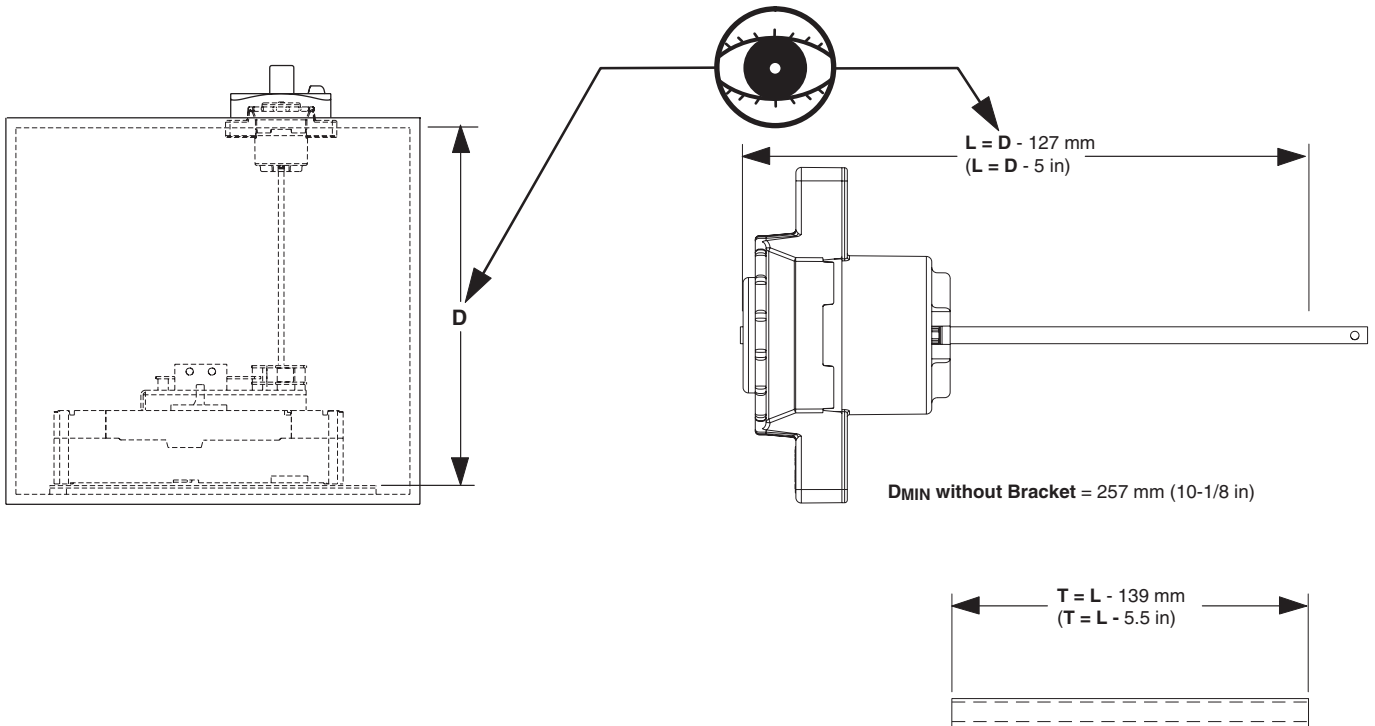
(Cat 140U-M-NH12, -NH21)

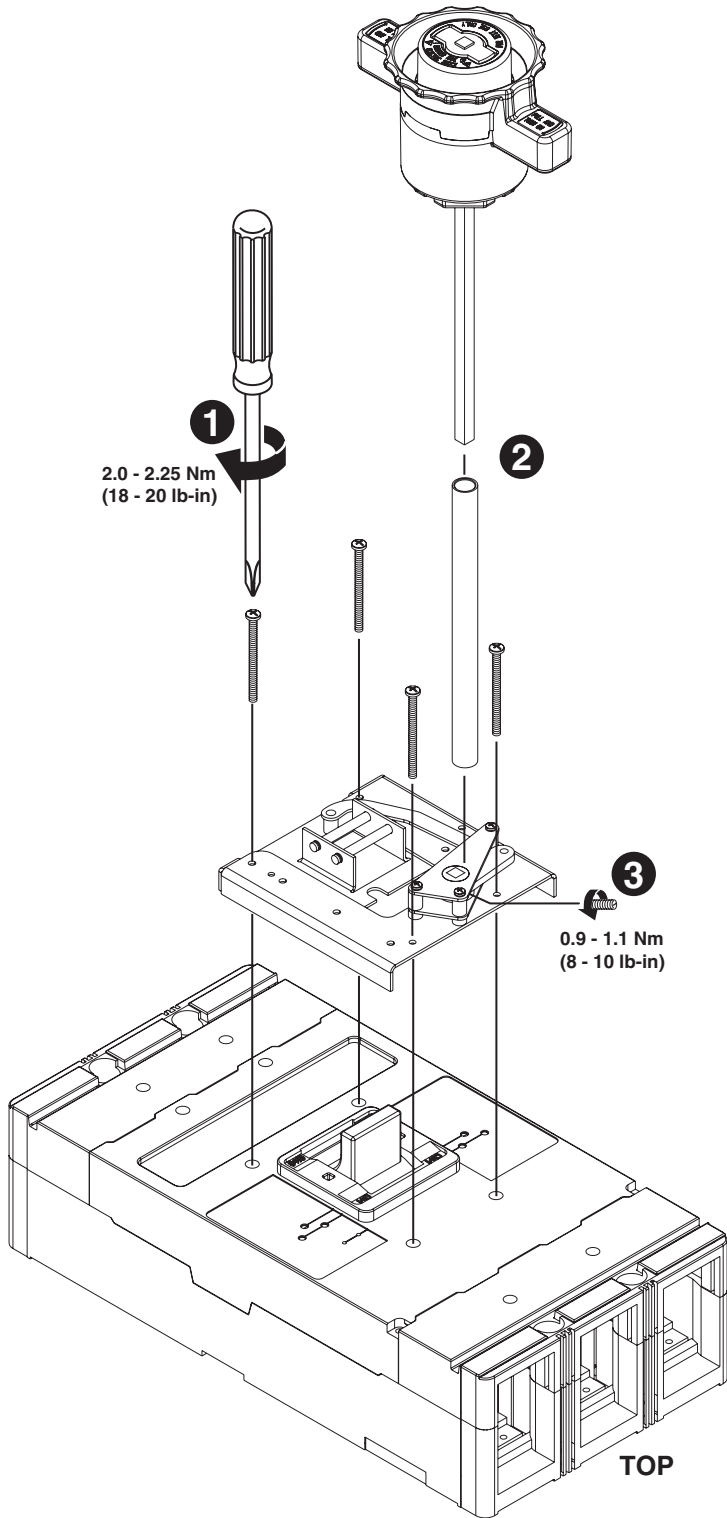


**ATTENTION:** To prevent electrical shock, disconnect from power source before installing or servicing.



**1** Cut shaft and tube to proper length



**2****Install Assembly****3****Operate Switch**


---

**Important:** Check for full range of motion.

---

