

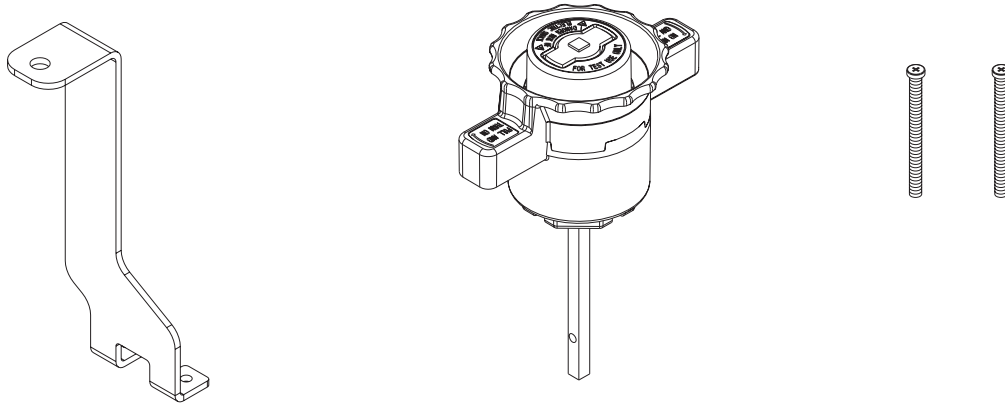


# Installation Instructions for Bulletin 140U NFPA 79 Internal Rotary Operating NFPA Handle

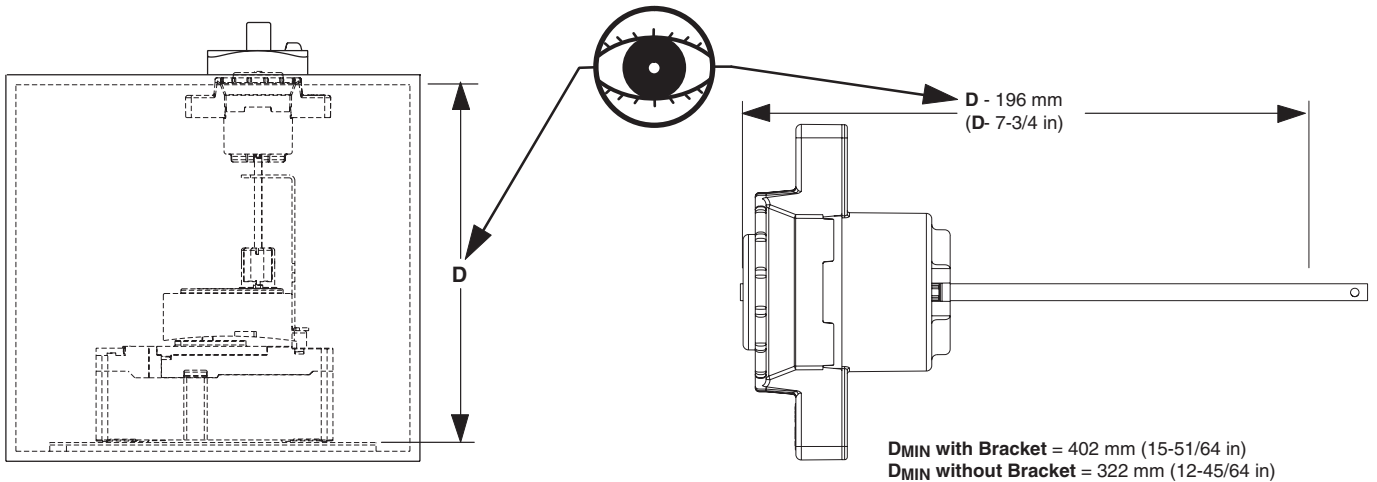
(Cat 140U-L-NH12, -NH21)



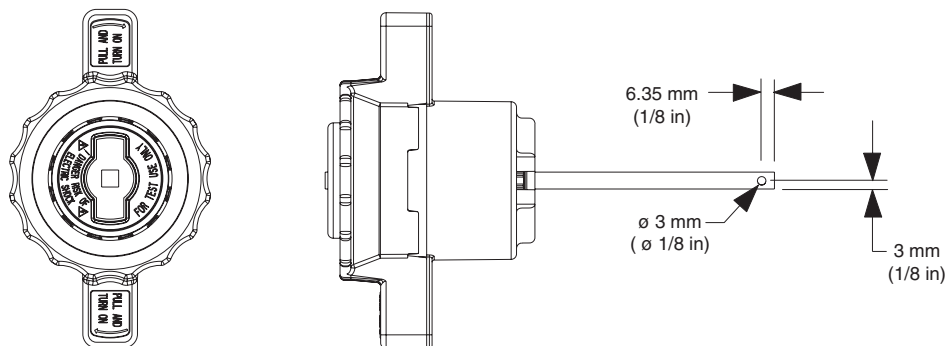
**ATTENTION:** To prevent electrical shock, disconnect from power source before installing or servicing.



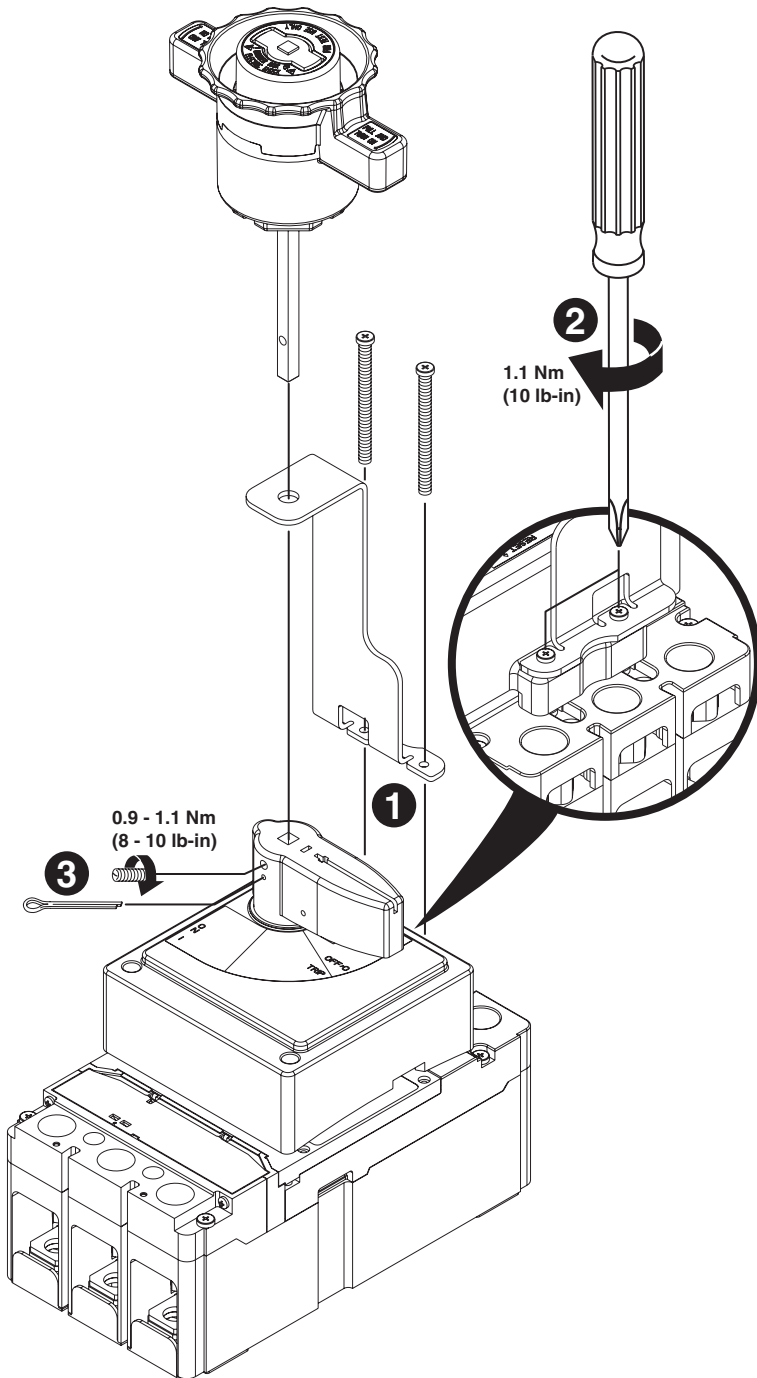
## 1 Cut shaft to proper length



## 2 Drill hole



### 3 Install Assembly



### 4 Operate Switch

**Important:** Check for full range of motion.

