



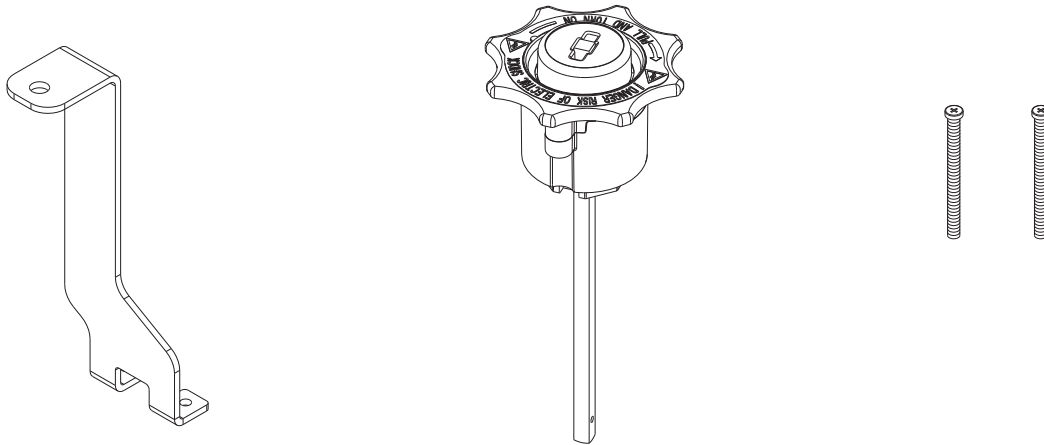
Installation Instructions for Bulletin 140U NFPA 79

Internal Rotary Operating NFPA Handle

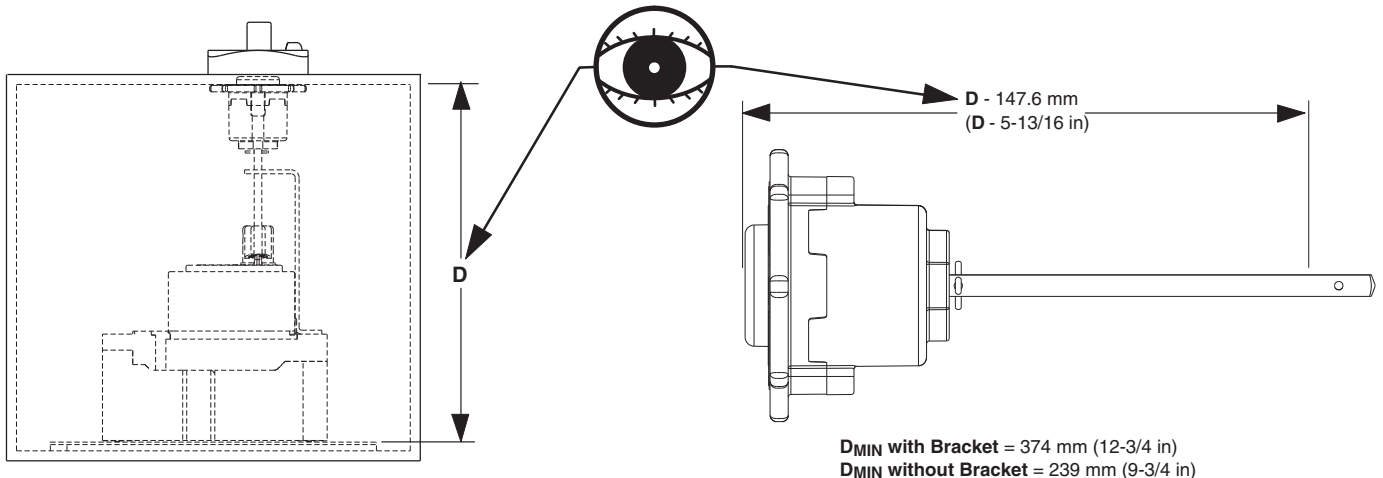
(Cat 140U-J-NH12, -NH21)



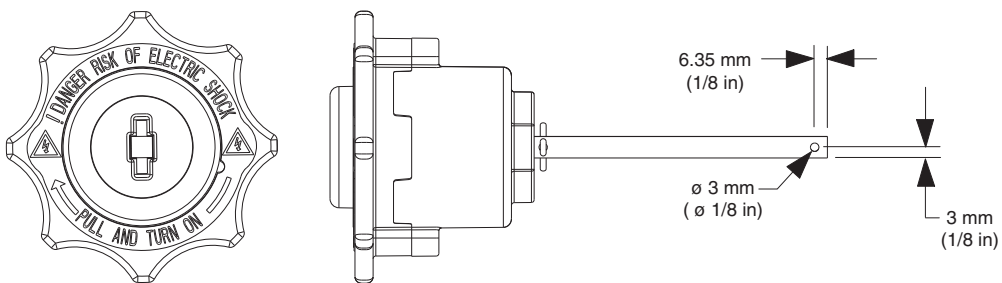
ATTENTION: To prevent electrical shock, disconnect from power source before installing or servicing.



1 Cut shaft to proper length

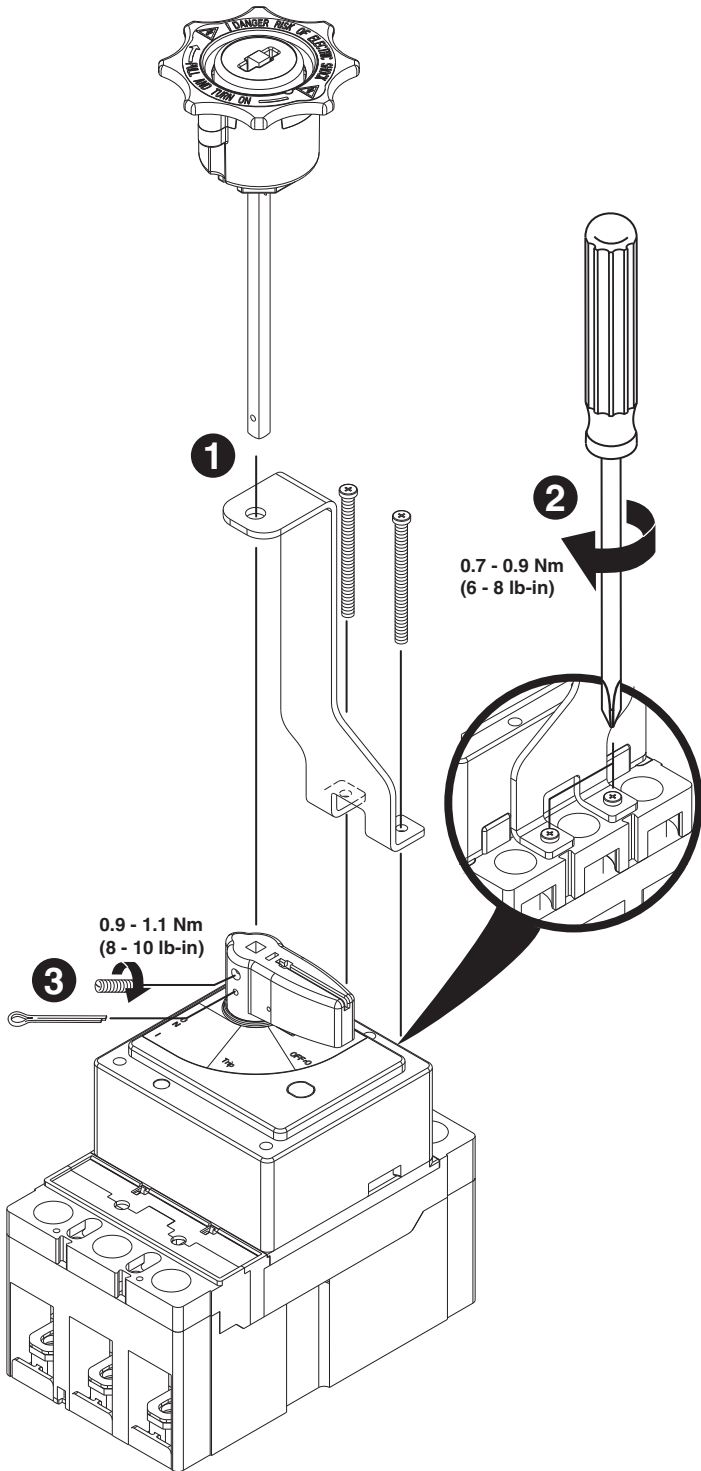


2 Drill hole



3

Install Assembly



4

Operate Switch

Important: Check for full range of motion.

