

Installation Instructions

Battery for Real-Time Clock Pile pour Horloge temps réel Echtzeithur-Batterie Batería para el Reloj de Tiempo real Batteria per Orologia in Temp reale

Catalog Number 2711-NB4

Topic	Page
PanelView 550 Touch (2711-T5AXXL1) PanelView 600 Touch (2711-T6CXXL1)	4
PanelView 600 (2711-K6Cxxxx, 2711-B6Cxxxx)	5
PanelView 1000 (2711-x10xxxxx)	6
PanelView 300 (2711-K3AxL1)	7
PanelView 550 (2711-K5Axx, 2711-B5Axx) previous	8
PanelView 550 (2711-K5Axx, 2711-B5Axx) later	9
DL40 Plus Message Display (2706-LV2x, -LV4x)	10

Important User Information

Solid state equipment has operational characteristics differing from those of electromechanical equipment. Safety Guidelines for the Application, Installation and Maintenance of Solid State Controls (Publication [SGI-1.1](#) available from your local Rockwell Automation sales office or online at <http://literature.rockwellautomation.com>) describes some important differences between solid state equipment and hard-wired electromechanical devices. Because of this difference, and also because of the wide variety of uses for solid state equipment, all persons responsible for applying this equipment must satisfy themselves that each intended application of this equipment is acceptable.





In no event will Rockwell Automation, Inc. be responsible or liable for indirect or consequential damages resulting from the use or application of this equipment.

The examples and diagrams in this manual are included solely for illustrative purposes. Because of the many variables and requirements associated with any particular installation, Rockwell Automation, Inc. cannot assume responsibility or liability for actual use based on the examples and diagrams.

No patent liability is assumed by Rockwell Automation, Inc. with respect to use of information, circuits, equipment, or software described in this manual.

Reproduction of the contents of this manual, in whole or in part, without written permission of Rockwell Automation, Inc., is prohibited.

Throughout this manual, when necessary, we use notes to make you aware of safety considerations.

WARNING 	Identifies information about practices or circumstances that can cause an explosion in a hazardous environment, which may lead to personal injury or death, property damage, or economic loss.
IMPORTANT	Identifies information that is critical for successful application and understanding of the product.
ATTENTION 	Identifies information about practices or circumstances that can lead to personal injury or death, property damage, or economic loss. Attentions help you identify a hazard, avoid a hazard and recognize the consequences.
SHOCK HAZARD 	Labels may be on or inside the equipment, for example, a drive or motor, to alert people that dangerous voltage may be present.
BURN HAZARD 	Labels may be on or inside the equipment, for example, a drive or motor, to alert people that surfaces may reach dangerous temperatures.

English

The clock module contains lithium. Do not dispose of the battery in a fire or incinerator, or the clock module may explode. Follow disposal regulations in your area for lithium battery disposal.

Français

Le module horloge contient du lithium. Ne jetez pas la pile dans un feu ou un incinérateur au risque de faire exploser le module horloge. Conformez-vous à la réglementation locale en vigueur pour la mise au rebut des piles au lithium.

Deutsch

Das Uhr-Modul enthält Lithium. Werfen Sie die Batterie nicht ins Feuer oder in einen Verbrennungsofen, da das Uhr-Modul explodieren könnte. Halten Sie sich bei der Entsorgung der Lithiumbatterie an die jeweils gültigen Entsorgungsrichtlinien.

Italiano

Il modulo orologio contiene litio. Non gettare la batteria nel fuoco o in un inceneritore in quanto il modulo può esplodere. Per lo smaltimento delle batterie al litio attenersi alle normative vigenti.

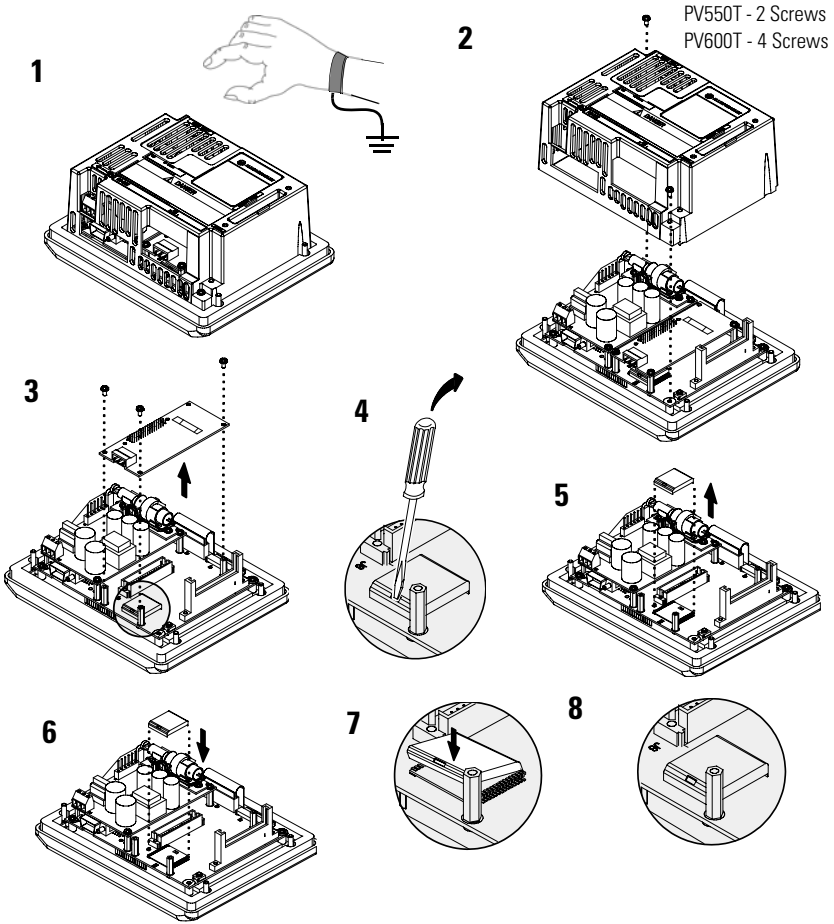
Español

El módulo de reloj contiene litio. No deseché la batería en el fuego o un incinerador ya que podría provocar la explosión del módulo de reloj. Siga la normativa sobre eliminación de residuos de su zona para desechar baterías de litio.

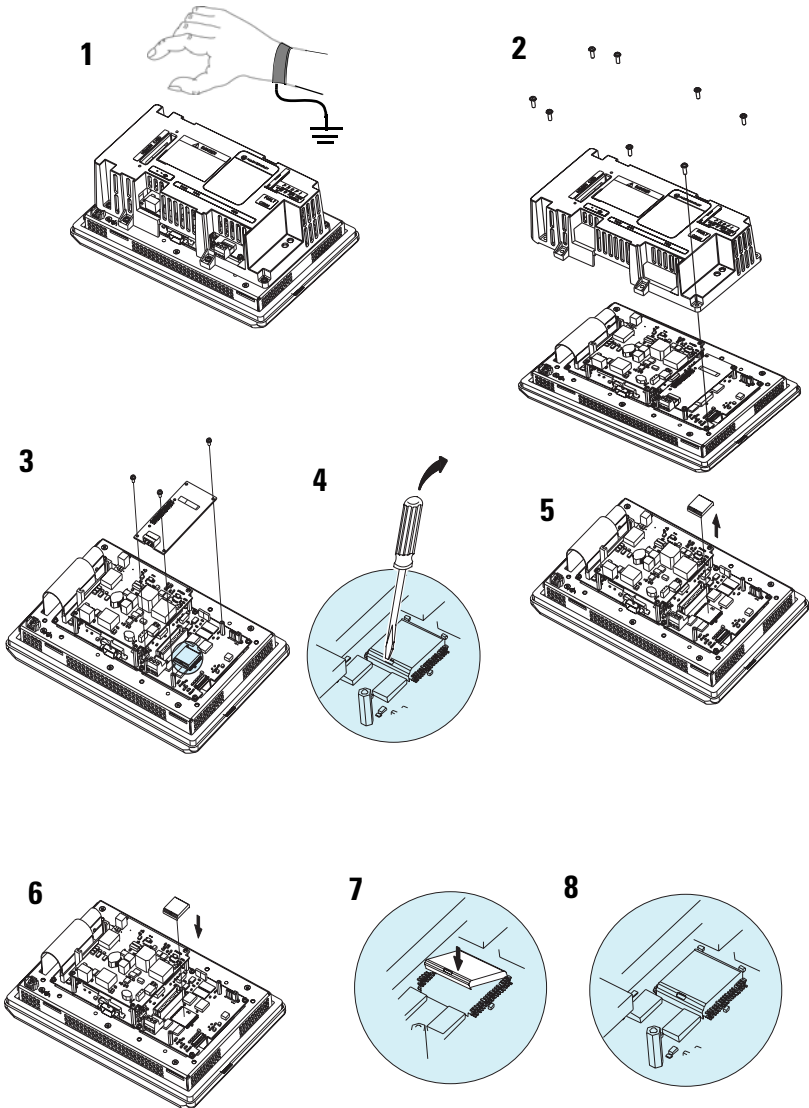
4 Battery for Real-Time Clock

PanelView 550 Touch (2711-T5AXXL1)

PanelView 600 Touch (2711-T6CXXL1)

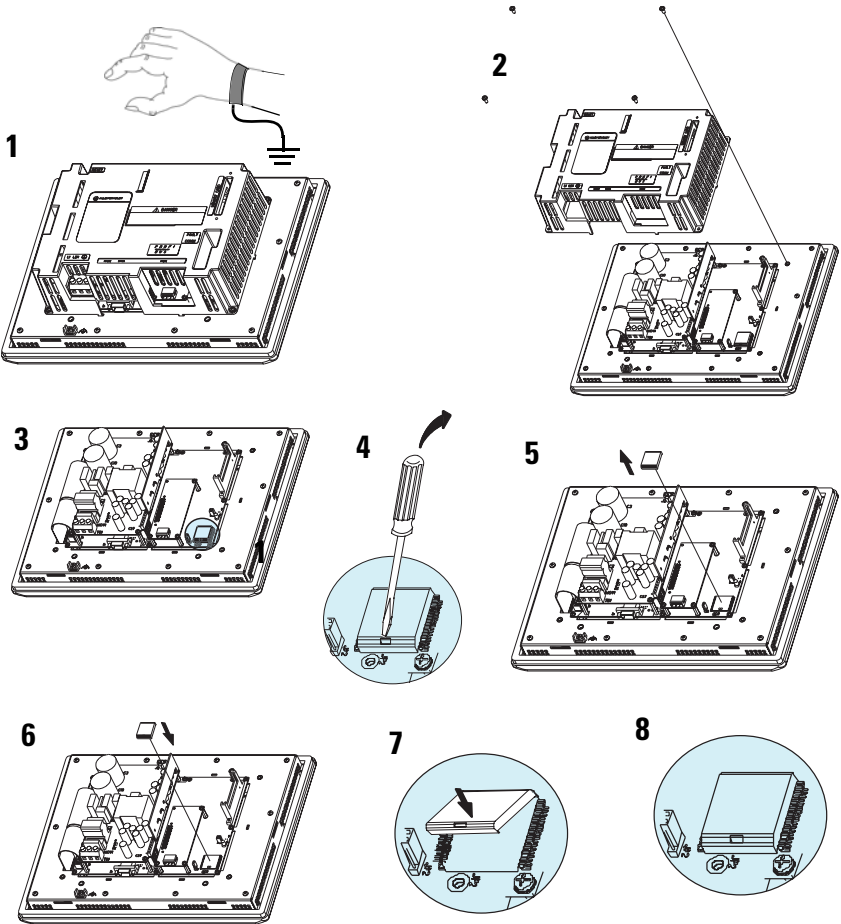


PanelView 600 (2711-K6Cxxxx, 2711-B6Cxxxx)

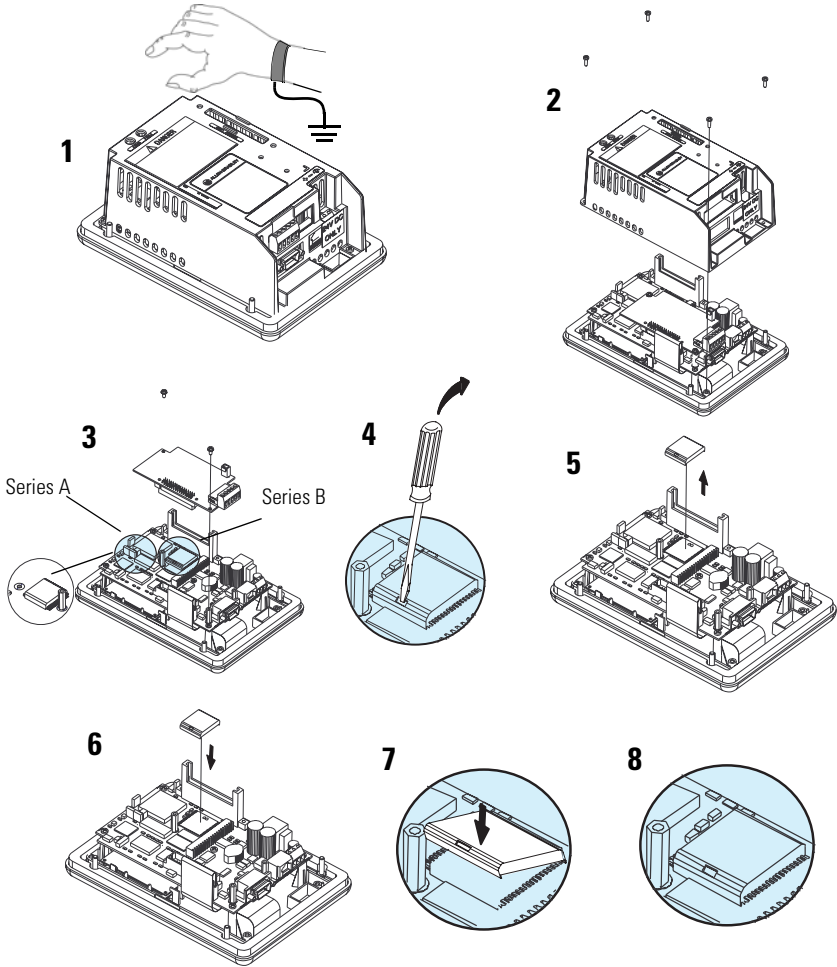


6 Battery for Real-Time Clock

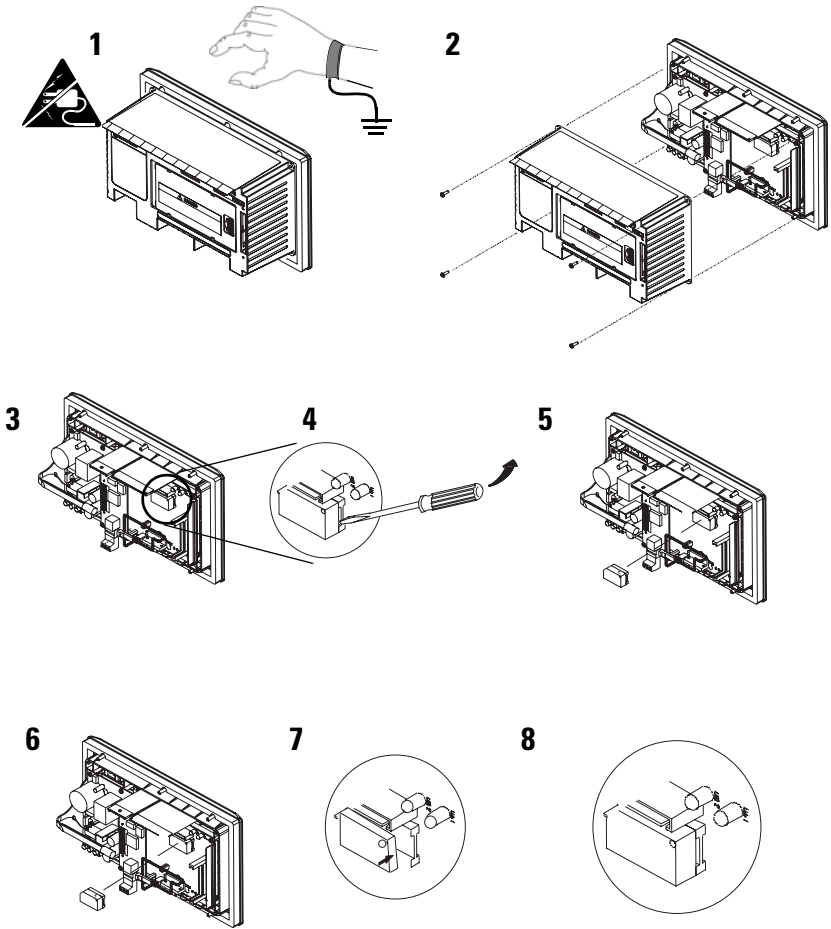
PanelView 1000 (2711-x10xxxxx)



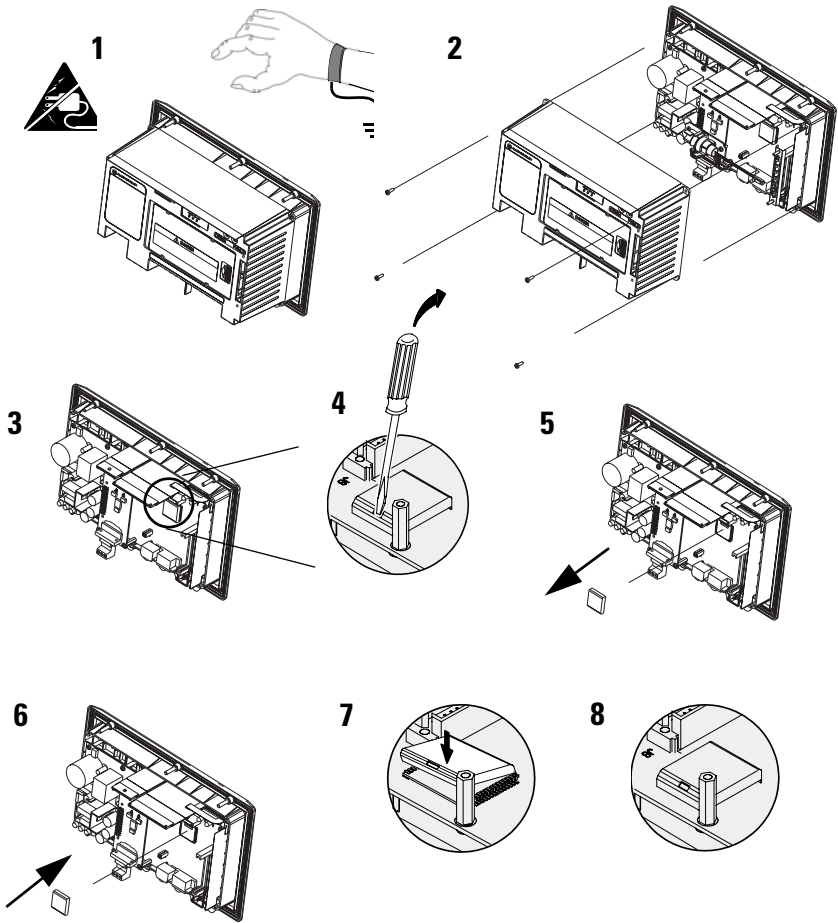
PanelView 300 (2711-K3AxL1)



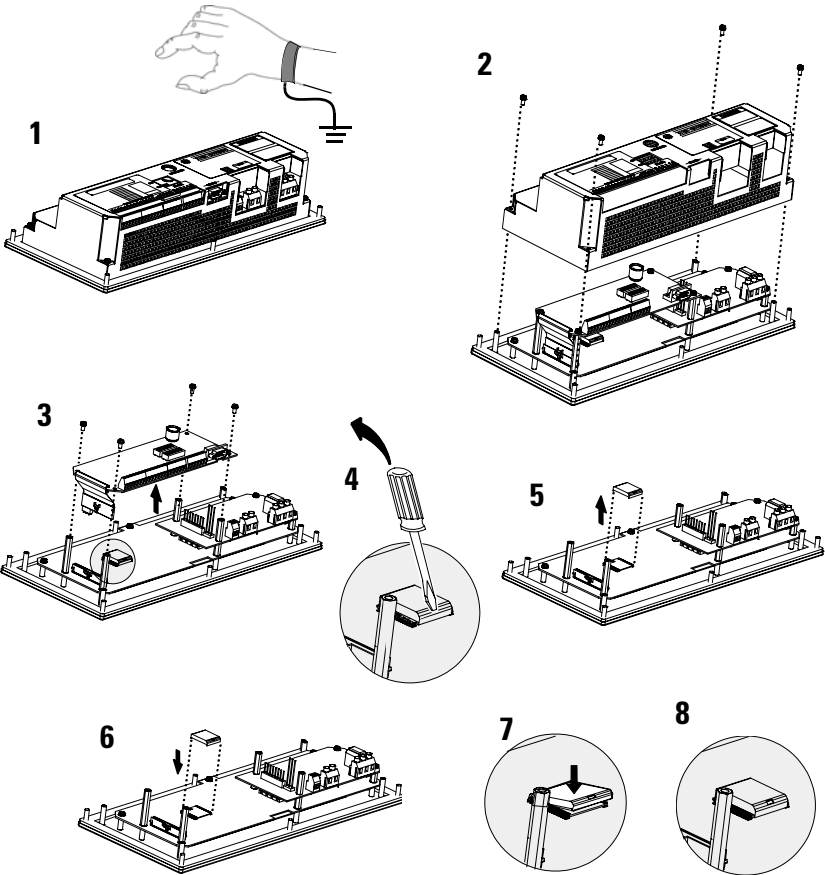
PanelView 550 (2711-K5Axx, 2711-B5Axx) previous



PanelView 550 (2711-K5Axx, 2711-B5Axx) later



DL40 Plus Message Display (2706-LV2x, -LV4x)



Notes:

Rockwell Automation Support

Rockwell Automation provides technical information on the Web to assist you in using its products. At <http://support.rockwellautomation.com>, you can find technical manuals, a knowledge base of FAQs, technical and application notes, sample code and links to software service packs, and a MySupport feature that you can customize to make the best use of these tools.

For an additional level of technical phone support for installation, configuration and troubleshooting, we offer TechConnect support programs. For more information, contact your local distributor or Rockwell Automation representative, or visit <http://support.rockwellautomation.com>.

Installation Assistance

If you experience a problem within the first 24 hours of installation, please review the information that's contained in this manual. You can also contact a special Customer Support number for initial help in getting your product up and running.

United States	1.440.646.3434 Monday – Friday, 8 a.m. – 5 p.m. EST
Outside United States	Please contact your local Rockwell Automation representative for any technical support issues.

New Product Satisfaction Return

Rockwell Automation tests all of its products to ensure that they are fully operational when shipped from the manufacturing facility. However, if your product is not functioning and needs to be returned, follow these procedures.

United States	Contact your distributor. You must provide a Customer Support case number (call the phone number above to obtain one) to your distributor in order to complete the return process.
Outside United States	Please contact your local Rockwell Automation representative for the return procedure.

PanelView, Allen-Bradley, Rockwell Automation, and TechConnect are trademarks of Rockwell Automation, Inc.

Trademarks not belonging to Rockwell Automation are property of their respective companies.

www.rockwellautomation.com

Power, Control and Information Solutions Headquarters

Americas: Rockwell Automation, 1201 South Second Street, Milwaukee, WI 53204-2496 USA, Tel: (1) 414.382.2000, Fax: (1) 414.382.4444

Europe/Middle East/Africa: Rockwell Automation, Vorstlaan/Boulevard du Souverain 36, 1170 Brussels, Belgium, Tel: (32) 2 663 0600, Fax: (32) 2 663 0640

Asia Pacific: Rockwell Automation, Level 14, Core F, Cyberport 3, 100 Cyberport Road, Hong Kong, Tel: (852) 2887 4788, Fax: (852) 2508 1846

Publication 2711-IN031D-MU-P - February 2009

PN-41782

Supersedes Publication 2711-IN031C-MU-P - February 2004

Copyright © 2009 Rockwell Automation, Inc. All rights reserved. Printed in the U.S.A.