



# CENTERLINE® Motor Control Centers

## Installing a Pull-Box on a Bulletin 2100 Vertical Section

### Instructions

#### Application

Use these instructions to install a pull-box on all front-mounted and back-to-back Bulletin 2100 motor control center sections.

#### Recommended Tools

Adjustable wrench or 5/16" socket



**ATTENTION:** Disconnect all power sources to the motor control center, before installing the pull-box. Contact with energized parts can cause injury and death.

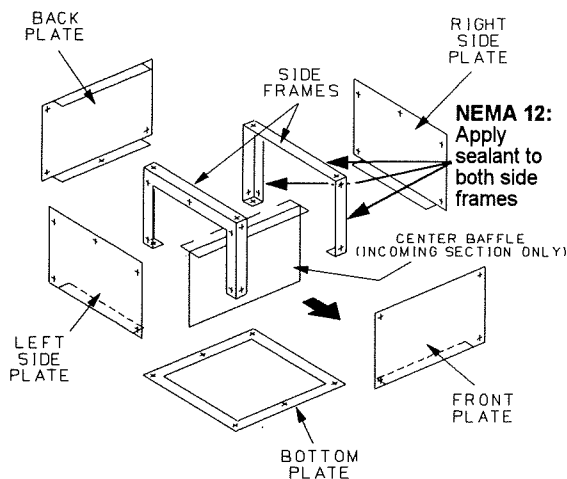
#### Installing the Pull Box

**Front-mounted sections:** Use Figures 1 and 2 to assemble parts.  
**Back-to-Back sections:** Use Figures 3 and 4 to assemble parts.  
**Front-mounted, 40" W sections:** Use Figure 5 to assemble parts.

#### Notes:

- ✓ All screws in this kit are thread cutting, so holes do not need to be tapped.
- ✓ Torque all screws to 32 Lb-in. (3.6 N-m).
- ✓ Use the longer screws to attach the pull-box frame and bottom plate to the section.

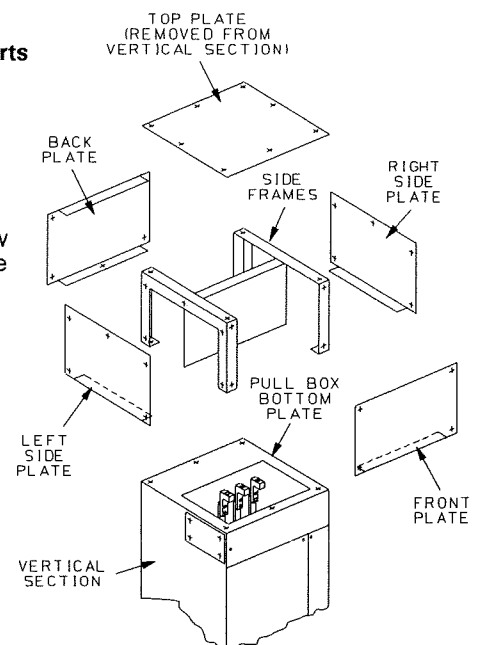
**Figure 1**  
Pull-Box Kit, Front-Mounted Sections



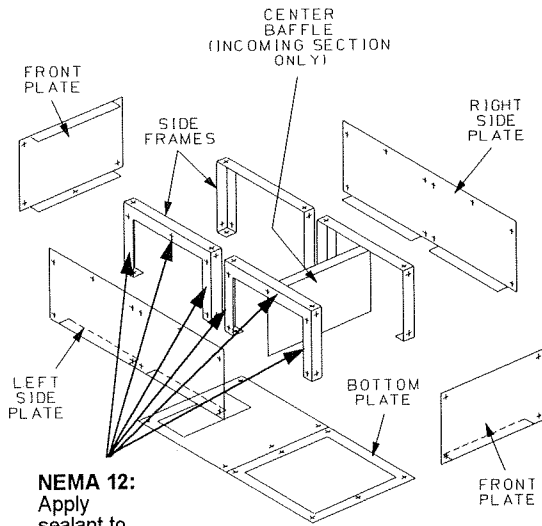
**Figure 2**  
Assembling the parts

**NEMA 12:** Apply sealant to both side frames as indicated. Follow application directions on the tube. Apply a 1/8" continuous bead.

**Important:** Install center baffle as shown for 15" deep pull-box. For 20" deep, reverse the center baffle so the flange is to the rear.

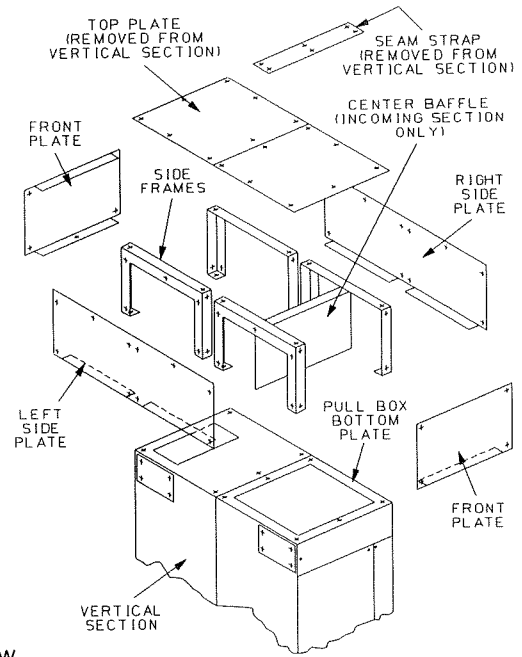


**Figure 3**  
**Pull-Box Kit, Back-To-Back Sections**



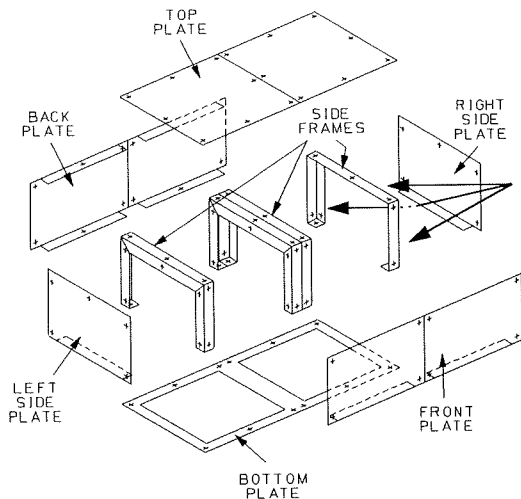
**NEMA 12:**  
 Apply sealant to all side frames

**Figure 4**  
**Assembling the parts**



**NEMA 12:**  
 Apply sealant to all side frames as indicated. Follow application directions on the tube. Apply a 1/8" continuous bead.

**Figure 5**  
**Pull-Box Kit, 40" Wide Sections**



**NEMA 12:**  
 Apply sealant to outer side frames



**Packaged Control Products**  
 Milwaukee, Wisconsin 53204 U.S.A.

Publication 2100-5.28 - May, 1995

Copyright© 1995, Allen-Bradley Company, Inc.  
 Printed in U.S.A..