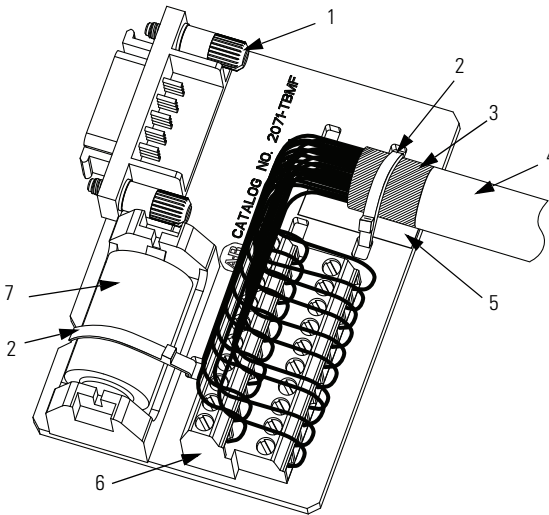


Motor Feedback Breakout Board

Catalog Number 2071-TBMF

Breakout Board Features



Item	Description
1	Mounting screw (x2)
2	Tie wrap
3	13 mm (0.5 in.) exposed cable shield
4	Feedback cable

Item	Description
5	Ground pad
6	Terminal block
7	Battery ⁽¹⁾

(1) Battery connections are required for TL-Series motors/actuators with multi-turn absolute feedback.

Tie wrap, battery, and feedback cable are supplied by customer.

Breakout Board Specifications

Attribute	Value
Screw-terminal wire range	1.5...0.2 mm ² (16...24 AWG)
Strip length	5...6 mm (0.20...0.24 in.)
Screw-terminal torque value	28.2 N•cm (2.5 lb•in)
Optional battery	3.6V, ½ AA, nonrechargeable, lithium battery
Mounting-screws torque value	28.2 N•cm (2.5 lb•in)



This product may require a sealed lithium battery that may need to be replaced during the life of the product.

At the end of its life, the battery used in this product should be collected separately from any unsorted municipal waste.

The collection and recycling of batteries helps protect the environment and contributes to the conservation of natural resources as valuable materials are recovered.

Connector Pinout

Terminal Pin	Description	Signal
1	Encoder power ground	ECOM
2	Thermal sensor input	TS
3	A positive differential input	A+
4	A negative differential input	A-
5	B positive differential input	B+
6	B negative differential input	B-
7	Index positive differential input	I+
8	Index negative differential input	I-
9	Negative limit sensor input	LMT-
10	Serial positive Hall feedback S1	SD+ S1
11	Shield drain	GND
12	Reserved	—
13	Serial negative	SD-
14	Hall feedback S2	S2
15	Reserved	—
16	Hall feedback S3	S3
17	Positive limit sensor input	LMT+
18	BAT+ for motor side	BAT+
19	BAT- for motor side	BAT-
20	Encoder +5 input power	EPWR

Allen-Bradley, Rockwell Software, and Rockwell Automation are trademarks of Rockwell Automation, Inc.

Trademarks not belonging to Rockwell Automation are property of their respective companies.

Rockwell Otomasyon Ticaret A.Ş., Kar Plaza İş Merkezi E Blok Kat:6 34752 İçerenköy, İstanbul, Tel: +90 (216) 5698400

www.rockwellautomation.com

Power, Control and Information Solutions Headquarters

Americas: Rockwell Automation, 1201 South Second Street, Milwaukee, WI 53204-2496 USA, Tel: (1) 414.382.2000, Fax: (1) 414.382.4444

Europe/Middle East/Africa: Rockwell Automation NV, Pegasus Park, De Kleetlaan 12a, 1831 Diegem, Belgium, Tel: (32) 2 663 0600, Fax: (32) 2 663 0640

Asia Pacific: Rockwell Automation, Level 14, Core F, Cyberport 3, 100 Cyberport Road, Hong Kong, Tel: (852) 2887 4788, Fax: (852) 2508 1846

Publication 2071-IN003B-EN-P - August 2010

PN-85626

Supersedes Publication 2071-IN003A-EN-P - July 2010

Copyright © 2010 Rockwell Automation, Inc. All rights reserved. Printed in the U.S.A.