

E300 / E200 Operator Stations

(Cat 193-EOS-SCS; 193-EOS-SDS)

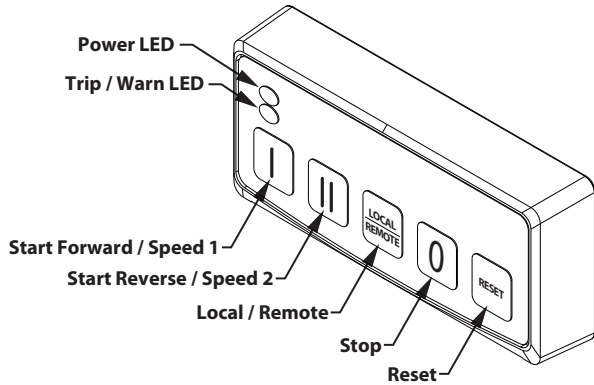
WARNING: To prevent electrical shock, disconnect from power source before installing or servicing. Follow NFPA 70E requirements. Install in suitable enclosure. Keep free from contaminants. Installation, adjustments, putting into service, use, assembly, disassembly, and maintenance shall be carried out by suitably trained personnel in accordance with applicable code of practice. In case of malfunction or damage, no attempts at repair should be made. The product should be returned to the manufacturer for repair. Do not dismantle the product.

Additional Resources:

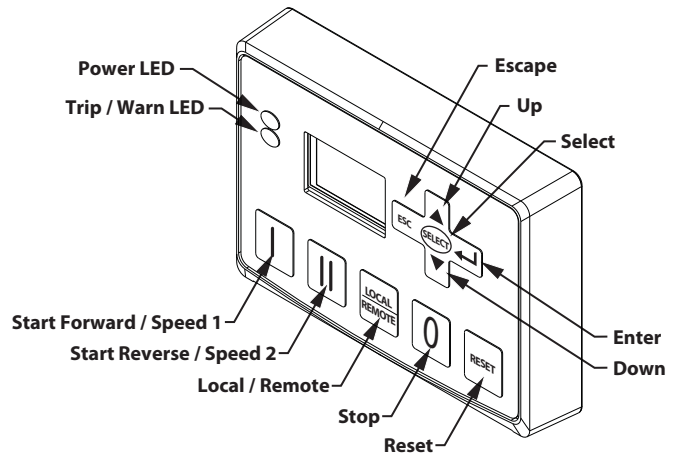
1) Go to <http://www.literature.rockwellautomation.com>;

2) Go to **Search**. Type in publication number: **193-UM015**

Features

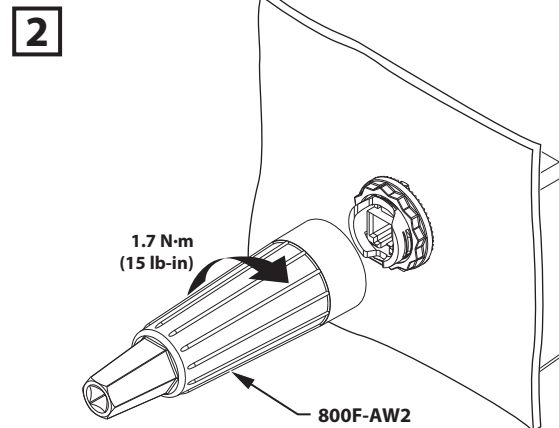
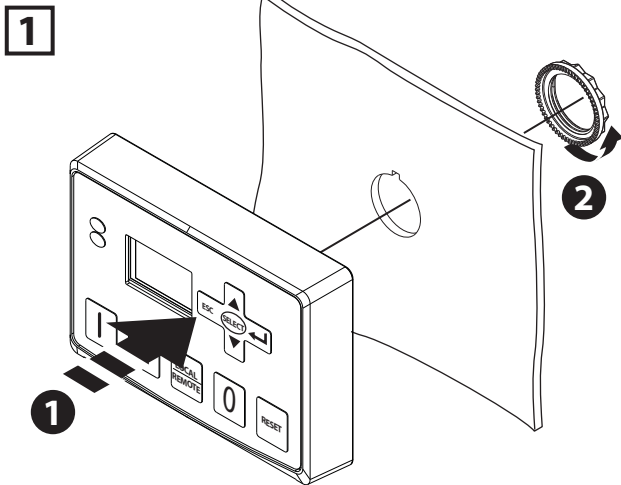


193-EOS-SCS

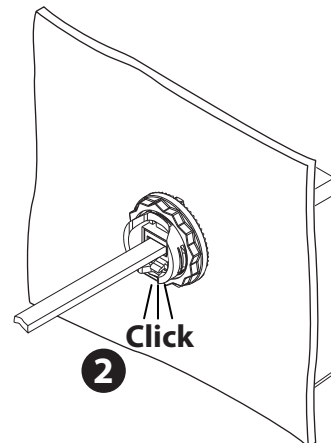
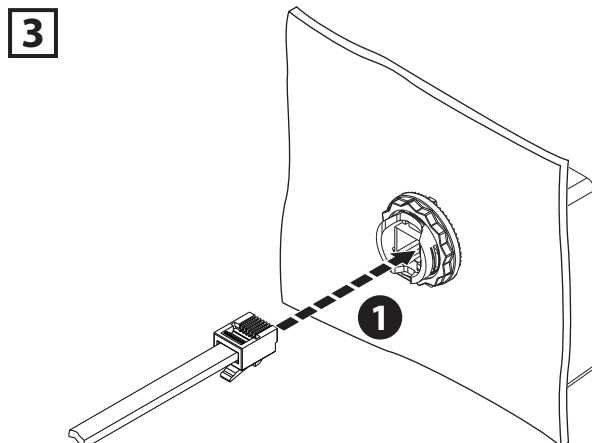


193-EOS-SDS (Requires control module firmware v3.000 or higher)

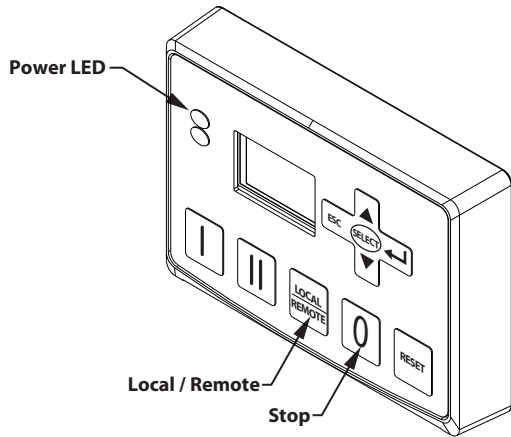
Installation



For use on a flat surface of a Type 4X Enclosure

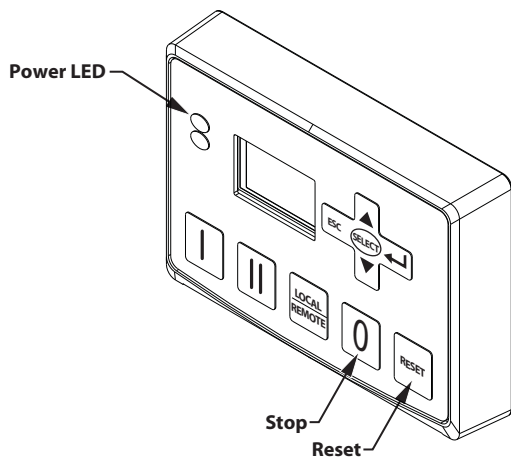


Copy Cat (read and write complete device configurations to and from the operator station)



Read

- 1) Press for 3 seconds (**Local / Remote + Stop**)
- 2) Power LED blinks Red / Green
- 3) **Blinking Green** = Successful
- 4) **Blinking Red** = Unsuccessful



Write

- 1) Press for 3 seconds (**Stop + Reset**)
- 2) Power LED blinks Red / Green
- 3) **Blinking Green** = Successful
- 4) **Blinking Red** = Unsuccessful

Diagnostics

Power LED	
Blinking Green	Device Ready
Solid Green	Device Active (Current Detected)
Solid Red	Operator Station Error
Blinking Red	Communication Error
Blinking Red / Green	Copy Cat in Progress

Trip / Warn LED	
Blinking Red	Trip
Blinking Yellow	Warning

Specifications

IP Rating: IP65
 UL Type: Type 4X
 Ambient: 55° C Max.

		Long Blink Pattern	Short Blink Pattern
Current	Overload	0	1
	Phase Loss	0	2
	Ground Fault	0	3
	Stall	0	4
	Jam	0	5
	Underload	0	6
	Current Imbalance	0	7
	L1 Under Current	0	8
	L2 Under Current	0	9
	L3 Under Current	0	10
	L1 Over Current	0	11
	L2 Over Current	0	12
	L3 Over Current	0	13
	L1 Line Loss	0	14
	L2 Line Loss	0	15
	L3 Line Loss	0	16
Voltage	Under Volt L-L	1	1
	Over Volt L-L	1	2
	Voltage Unbalance	1	3
	Phase Rotation	1	4
	Under Frequency	1	5
	Over Frequency	1	6
Power	Under Real Pwr	2	1
	Over Real Pwr	2	2
	Under Con kVAR	2	3
	Over Con kVAR	2	4
	Under Gen kVAR	2	5
	Over Gen kVAR	2	6
	Under Power kVA	2	7
	Over Power kVA	2	8
	Under PF Lagging	2	9
	Over PF Lagging	2	10
	Under PF Leading	2	11
	Over PF Leading	2	12
Control	Test Trip	3	1
	PTC	3	2
	DLX	3	3
	Operator Station Trip	3	4
	Remote Trip	3	5
	Start Inhibit	3	6
	Hardware Fault	3	7
	Invalid Configuration	3	8
	Option Match	3	9
	Feedback Timeout	3	10
	Expansion Bus	3	11
	Number of Starts	3	12
	Operating Hours	3	13
	Non-Volatile Memory	3	14
	Test Mode Trip	3	15
Analog	Analog Input11	4	1
	Analog Input12	4	2
	Analog Input13	4	3
	Analog Input21	4	4
	Analog Input22	4	5
	Analog Input23	4	6
	Analog Input31	4	7
	Analog Input32	4	8
	Analog Input33	4	9
	Analog Input41	4	10
Analog Input42	4	11	
Analog Input43	4	12	

Allen-Bradley, Rockwell Software, and Rockwell Automation are trademarks of Rockwell Automation, Inc. Trademarks not belonging to Rockwell Automation are property of their respective companies.

www.rockwellautomation.com

Power, Control and Information Solutions Headquarters

Americas: Rockwell Automation, 1201 South Second Street, Milwaukee, WI 53204-2496 USA, Tel: (1) 414.382.2000, Fax: (1) 414.382.4444
 Europe/Middle East/Africa: Rockwell Automation NV, Pegasus Park, De Kleetlaan 12a, 1831 Diegem, Belgium, Tel: (32) 2 663 0600, Fax: (32) 2 663 0640
 Asia Pacific: Rockwell Automation, Level 14, Core F, Cyberport 3, 100 Cyberport Road, Hong Kong, Tel: (852) 2887 4788, Fax: (852) 2508 1846

