



Panel or DIN Rail Adapter

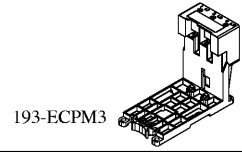
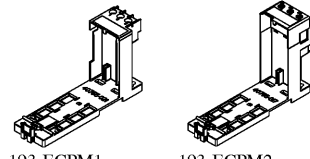
Adaptateur pour montage sur panneau ou sur rail DIN

Zwischenstück für platten - oder DIN - Schienen - Montage

Adaptador para montaje en panel o en riel DIN

Adaptador para montagem em panel ou barra DIN

(Cat 193-ECPM1, -ECPM2, -ECPM3)



Installation Montage Instalación Instalação Installazione



ATTENTION: To prevent electrical shock, disconnect from power source before installing or servicing. Install in suitable enclosure. Keep free from contaminants.

ATTENTION: Avant le montage et la mise en service, couper l'alimentation secteur pour éviter toute décharge. Prévoir une mise en coffret ou armoire appropriée. Protéger le produit contre les environnements agressifs.

ACHTUNG: Vor Installations- oder Servicearbeiten Stromversorgung zur Vermeidung von elektrischen Unfällen trennen. Die Geräte müssen in einem passenden Gehäuse eingebaut und gegen Verschmutzung geschützt werden.

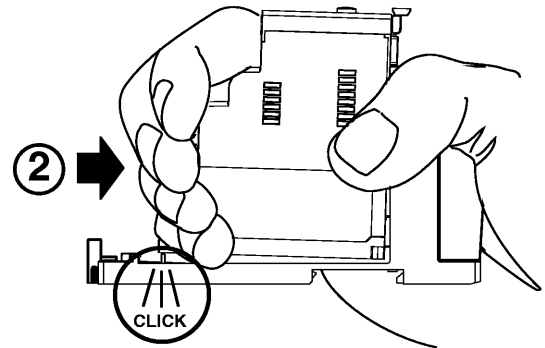
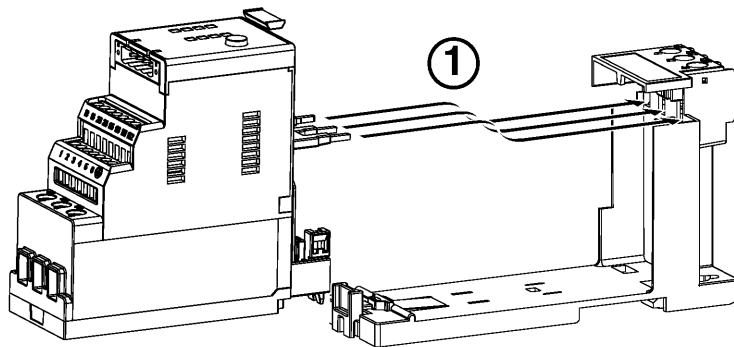
ATENCIÓN: Desconéctese de la corriente eléctrica, antes de la instalación o del servicio, a fin de impedir sacudidas eléctricas. Instálelo en una caja apropiada. Manténgalo libre de contaminantes.

ATENÇÃO: Para evitar choques, desconectar da corrente elétrica antes de fazer a instalação ou a manutenção. Instalar em caixa apropriada. Manter livre de contaminantes.

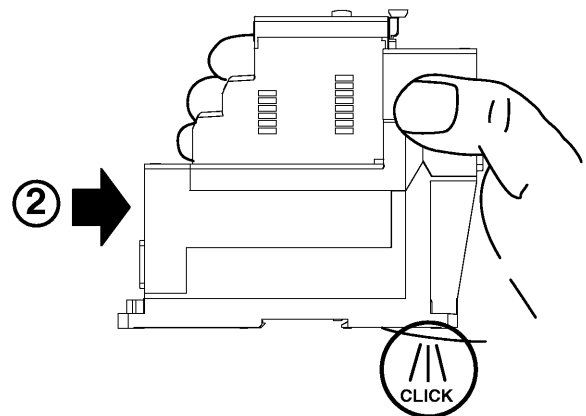
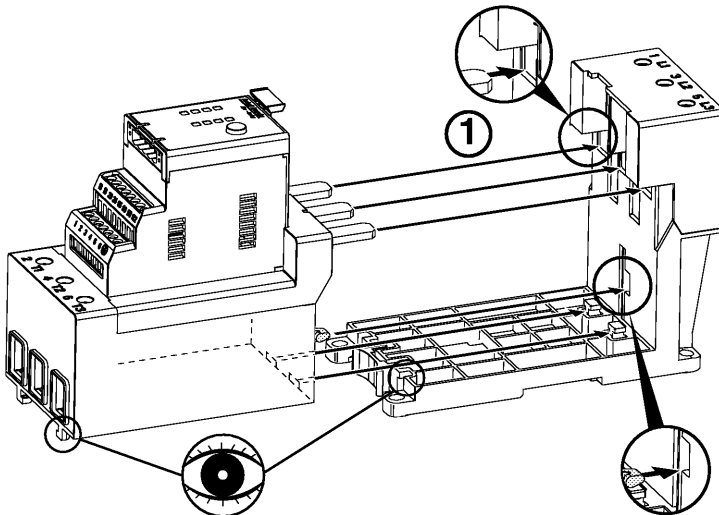
ATTENZIONE: Per prevenire infortuni, togliere tensione prima dell'installazione o manutenzione. Installare in custodia idonea. Tenere lontano da contaminanti.

193-ECPM1

193-ECPM2

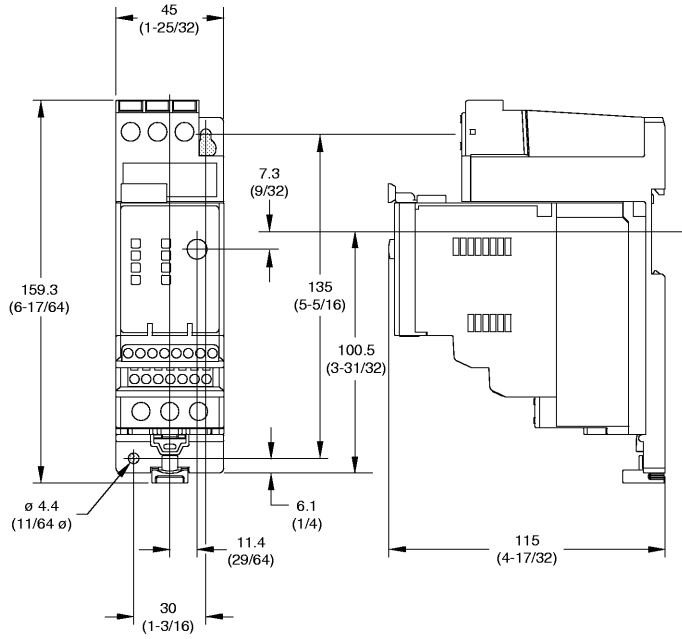


193-ECPM3

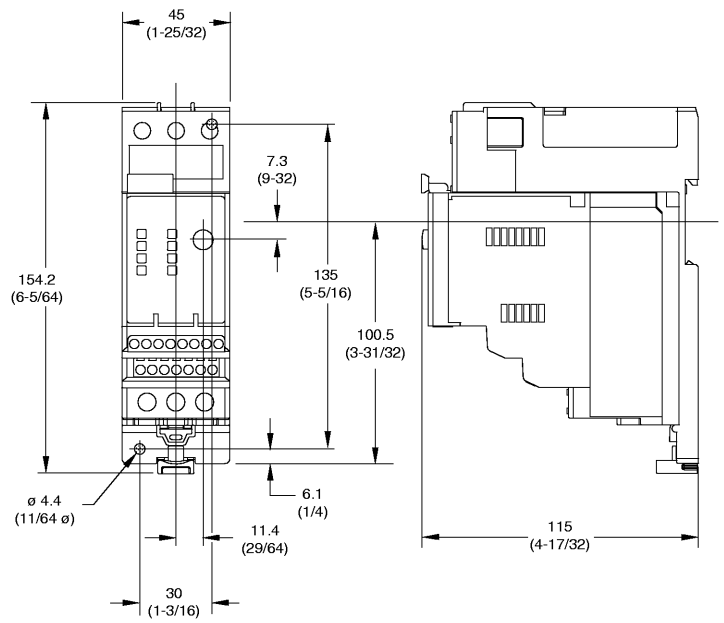


DIMENSIONS

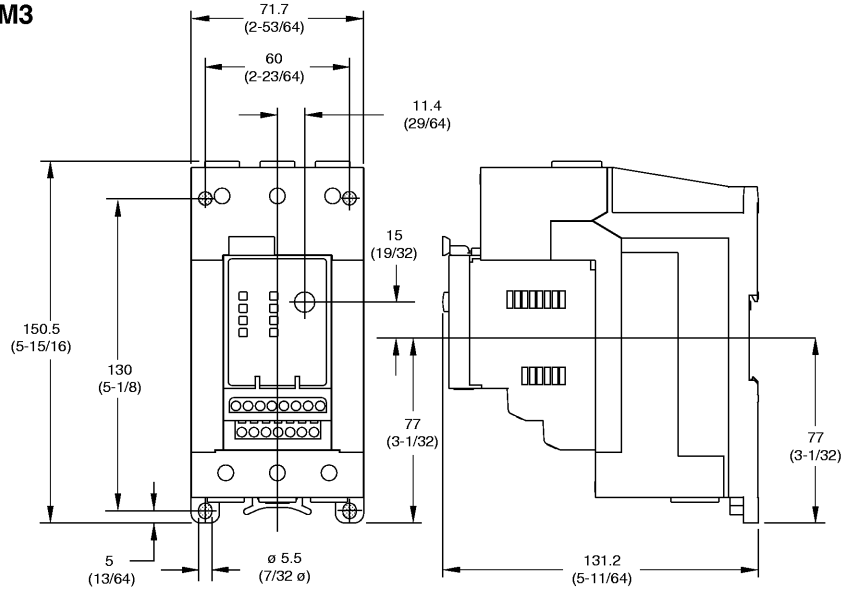
193-ECPM1



193-ECPM2



193-ECPM3



WIRE SIZE & TORQUE

		193-ECPM1	193-ECPM2	193-ECPM3
Stranded/Solid AWG	Single Conductor	#14 - #8 AWG	#16 - #6 AWG	#12 - #1 AWG
	Torque	16 in.-lbs.	20 in.-lbs.	35 in.-lbs.
Flexible Stranded w/Ferrule Metric	Multiple Conductor	#14 - #8 AWG	See Note 1	#12 - #2 AWG
	Torque	16 in.-lbs.	20 in.-lbs.	35 in.-lbs.
Course Stranded/Solid Metric	Single Conductor	1.0 - 4.0 mm ²	2.5 - 16 mm ²	4.0 - 35 mm ²
	Torque	1.8 Nm	2.3 Nm	4.0 Nm
	Multiple Conductor	1.0 - 4.0 mm ²	2.5 - 10 mm ²	4.0 - 25 mm ²
	Torque	1.8 Nm	2.3 Nm	4.0 Nm
	Single Conductor	1.5 - 6.0 mm ²	2.5 - 25 mm ²	4.0 - 50 mm ²
	Torque	1.8 Nm	2.3 Nm	4.0 Nm
	Multiple Conductor	1.5 - 6.0 mm ²	2.5 - 10 mm ²	4.0 - 35 mm ²
	Torque	1.8 Nm	2.3 Nm	4.0 Nm

Note 1 - Multiple conductor wire sizes are the same as single conductor, however, the same size wire and style must be used. (ie: stranded with stranded and solid with solid)