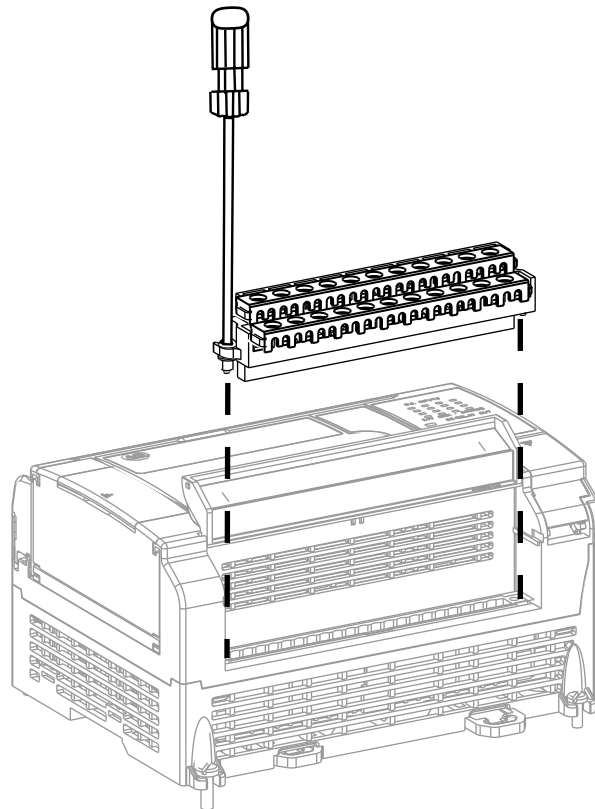


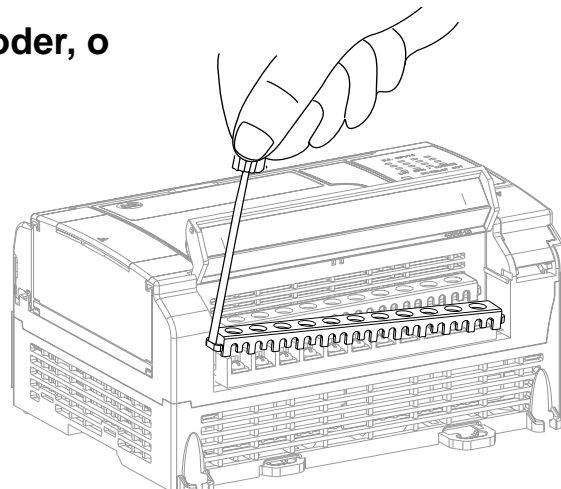


MicroLogix™ 1500 Removable Terminal Blocks Replacement Kit Installation Instructions

(1764-RPL-TB1, 1764-RPL-TB2)



or, ou, oder, o



MicroLogix is a trademark of Rockwell Automation.

www.rockwellautomation.com

Power, Control and Information Solutions Headquarters

Americas: Rockwell Automation, 1201 South Second Street, Milwaukee, WI 53204-2496 USA, Tel: (1) 414.382.2000, Fax: (1) 414.382.4444

Europe/Middle East/Africa: Rockwell Automation, Vorstlaan/Boulevard du Souverain 36, 1170 Brussels, Belgium, Tel: (32) 2 663 0600, Fax: (32) 2 663 0640

Asia Pacific: Rockwell Automation, Level 14, Core F, Cyberport 3, 100 Cyberport Road, Hong Kong, Tel: (852) 2887 4788, Fax: (852) 2508 1846

January 1999

PN 40072-067-01 (A)

© 2006 Rockwell Automation, Inc. All rights reserved. Printed in Singapore.