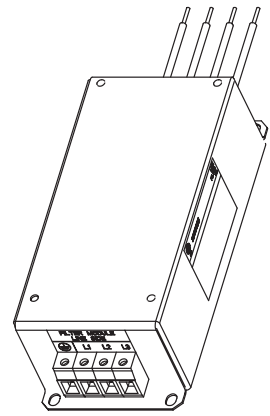




Line Filter Module

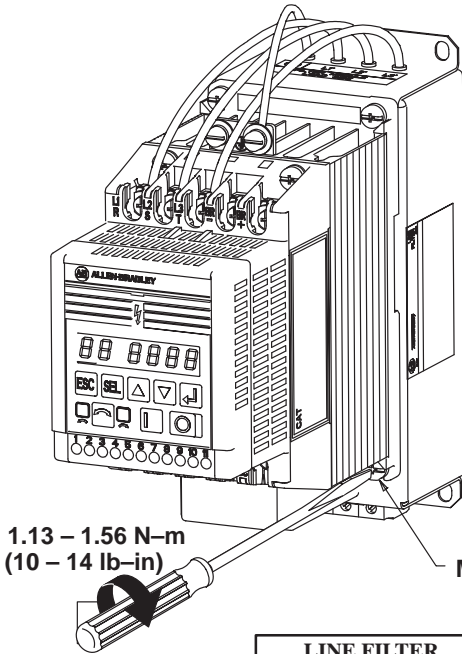


(Cat 160-LFA1, -LFA2, -LFB1; 160S-LFA1)

Installation

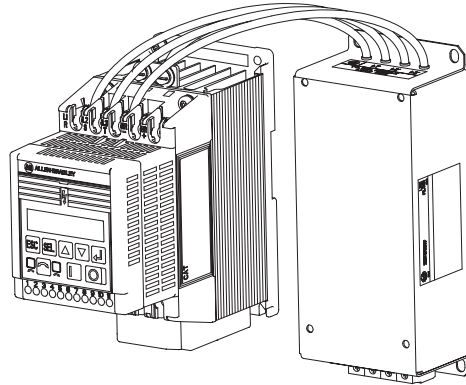


ATTENTION: To prevent electrical shock, disconnect from power before installing or servicing.
High leakage current, connect to earth.

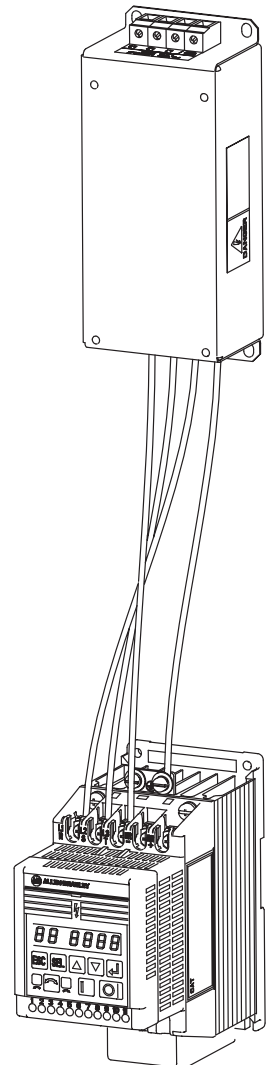


M4 x 0.7 x 12mm LG.

OR

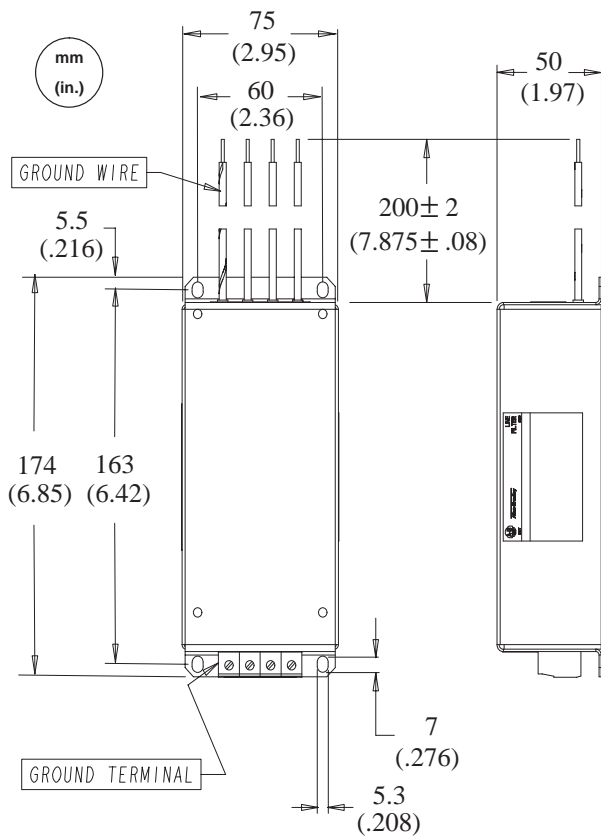


OR

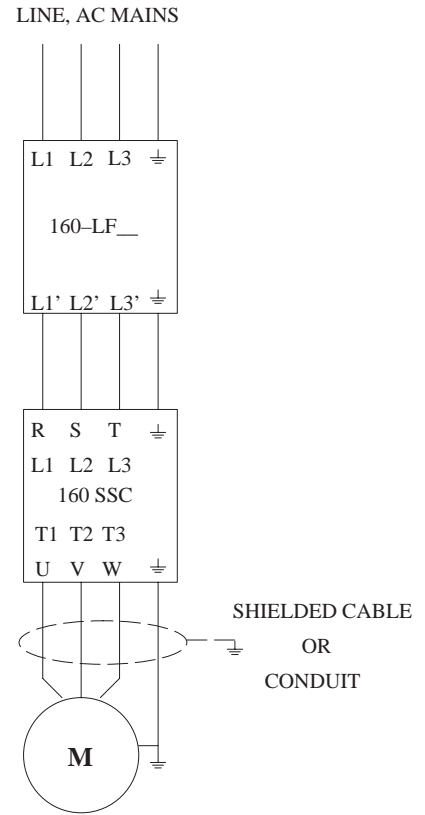


LINE FILTER MODULE	VOLTAGE	TO BE USED WITH SSC DRIVE TYPE:
160S-LFA1	200/240V SINGLE PHASE	160S-AA02 160S-AA03 160S-AA04 160S-AA08
160-LFA1	200/240V THREE PHASE	160-AA02 160-AA03 160-AA04 160-AA08
160-LFA2	200/240V THREE PHASE	160-AA12
160-LFB1	380/460V THREE PHASE	160-BA01 160-BA02 160-BA03 160-BA04 160-BA06

BULLETIN 160 LINE FILTER MODULE SPECIFICATION TABLE				
LINE FILTER MODULE	160S-LFA1	160-LFA1	160-LFA2	160-LFB1
INPUT VOLTAGE, FREQUENCY	200/240V SINGLE PHASE, 50/60 Hz	200/240V THREE PHASE, 50/60 Hz		380/460V THREE PHASE, 50/60 Hz
OPERATIONAL RANGE (V), (Hz)	180-265V, 48-62 Hz			340-506V, 48-62 Hz
POWER DISSIPATION (W)	4.5 W	6.5 W	8 W	4.5 W
LEAKAGE CURRENT (mA)	104 mA	84 mA	95 mA	104 mA
WEIGHT (kg)	1 kg			
ENCLOSURE	IP 20			
OPERATING TEMPERATURE	0°C TO 50°C			
STORAGE TEMPERATURE	-40°C TO 85°C			
RELATIVE HUMIDITY	0 TO 95% (NON CONDENSED)			
VIBRATION	1.0 G OPERATIONAL – 2.5 G NON-OPERATIONAL			
SHOCK	15 G OPERATIONAL – 30 G NON-OPERATIONAL			
ALTITUDE	1,000 m (3,300 ft.) WITHOUT DERATING, CONSULT FACTORY FOR DERATING INFORMATION.			
EMC STANDARDS	EN 50081-2 AC MAINS (LIMITS EQUIVALENT TO EN 55011 CLASS A, GROUP 1)			
INTERNATIONAL STANDARDS AND APPROVALS	UL508C, CSA 22.2, CE LOW VOLTAGE DIRECTIVE A COPY OF THE DECLARATION OF CONFORMITY (DOC) IS AVAILABLE FROM YOUR ALLEN-BRADLEY SALES OFFICE.			



OUTLINE DRAWING



CONNECTION DIAGRAM