



## H and J-Frame Circuit Breakers and Motor Circuit Protectors Instruction Leaflet for Auxiliary Switch, Alarm Switch, and Combination Auxiliary/Alarm Switch

### 1.0 ACCESSORY SWITCH KITS

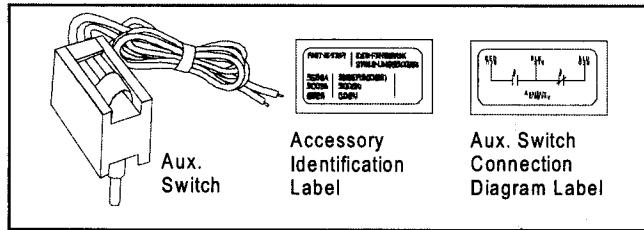


Figure 1-1 Auxiliary Switch kit

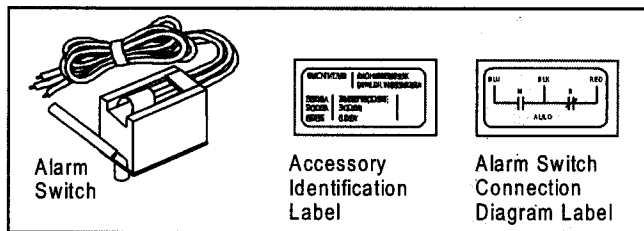


Figure 1-2 Alarm Switch kit

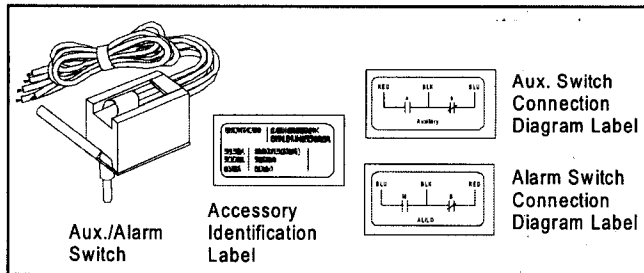


Figure 1-3 Combination Auxiliary/Alarm Switch kit

Table 2-1 Accessory Switch applications

Accessory Switch	H-Frame	J-Frame
Auxiliary	✓	✓
Alarm	✓	
Aux./Alarm	✓	

Table 2-2 Accessory switch electrical ratings

Max. Voltage (U <sub>e</sub> )	Frequency	Max. Current (I <sub>n</sub> )	Dielectric Withstand Voltage (U <sub>i</sub> )
600 V	50/60 Hz	6 A	2500 V
125 V	DC	0.5 A*	2200 V
250 V	DC	0.25 A*	2200 V

\*noninductive load

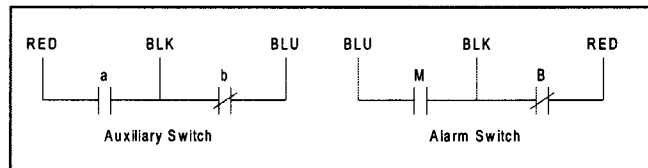


Figure 2-1 Accessory switch connection diagrams

### 2.0 APPLICATION INFORMATION

**Auxiliary Switch:** Indicates if the breaker contacts are open or closed.

**Alarm Switch:** Indicates if the breaker is tripped or latched.

**Combination Auxiliary/Alarm Switch:** Combines the functions of the above two switches.

3.0 INSTALLATION

**WARNING**

**DO NOT ATTEMPT TO INSTALL OR PERFORM MAINTENANCE ON EQUIPMENT WHILE IT IS ENERGIZED. DEATH OR SEVERE PERSONAL INJURY CAN RESULT FROM CONTACT WITH ENERGIZED EQUIPMENT. ALWAYS VERIFY THAT NO VOLTAGE IS PRESENT BEFORE PROCEEDING. ALWAYS FOLLOW SAFETY PROCEDURES. ALLEN-BRADLEY IS NOT LIABLE FOR THE MISAPPLICATION OR MISINSTALLATION OF ITS PRODUCTS.**

1 Remove the breaker cover sleeve.

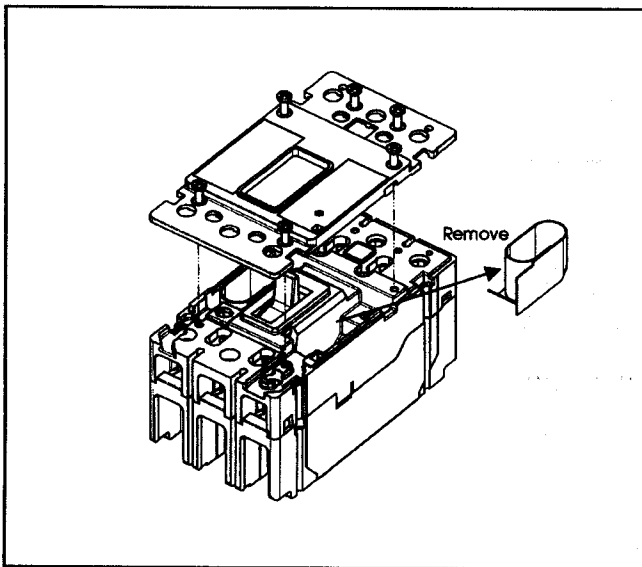


Figure 3-1 H-Frame cover removal

2 Install accessory switch.

*Auxiliary Switch Installation (right pole only)*

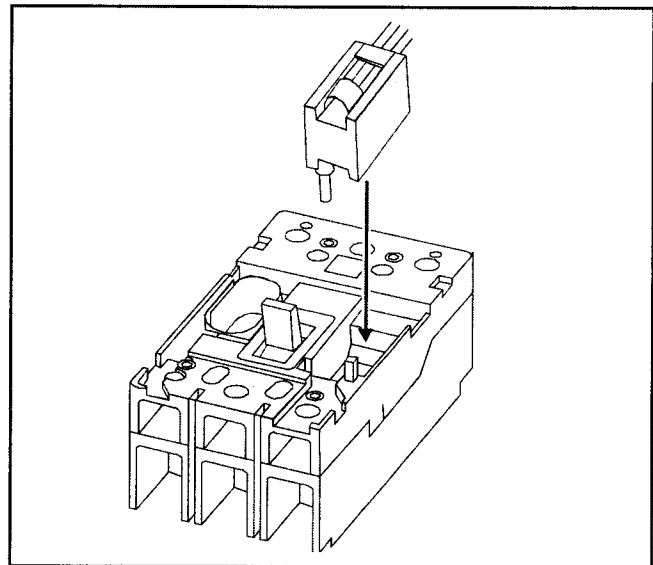


Figure 3-3 Auxiliary Switch installation in H-Frame

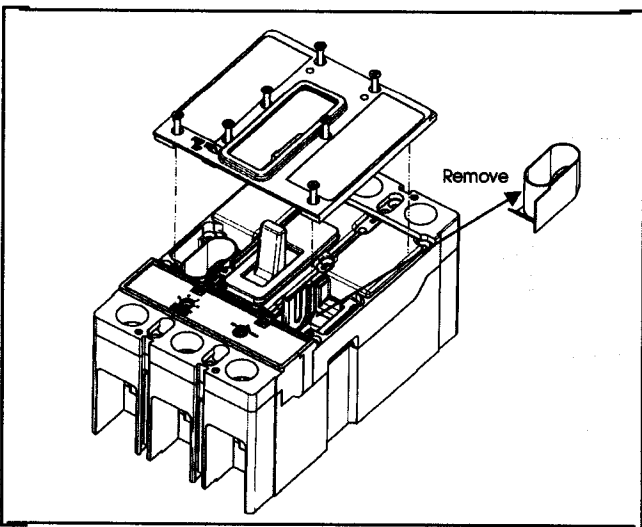


Figure 3-2 J-Frame cover removal

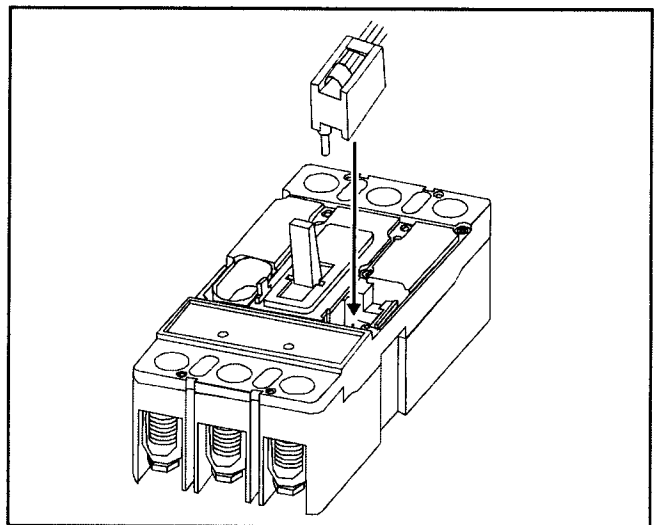


Figure 3-4 Auxiliary Switch installation in J-Frame



### Alarm and Auxilliary/Alarm Switch Installation (right pole only)

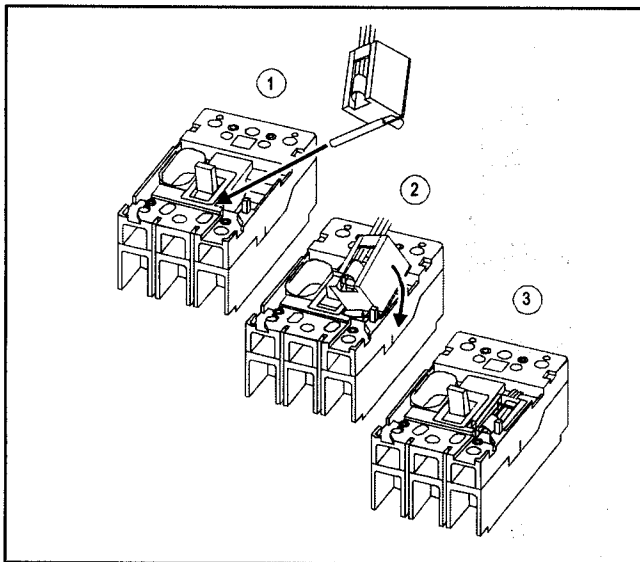


Figure 3-5 Alarm Switch installation in H-Frame

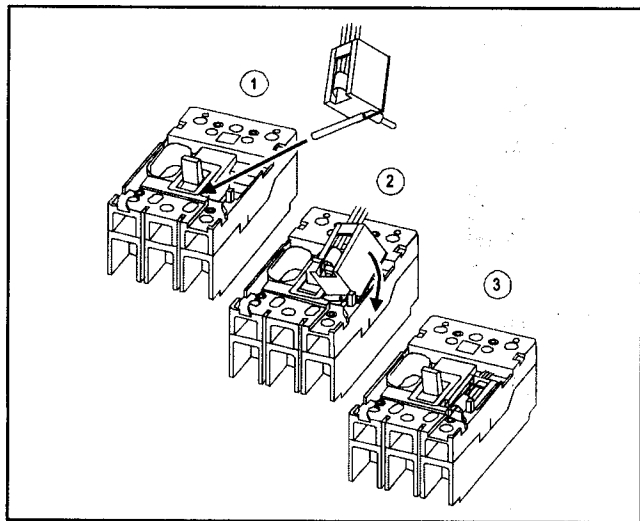


Figure 3-6 Auxiliary/Alarm Switch installation in J-Frame

### 3 Route wires.

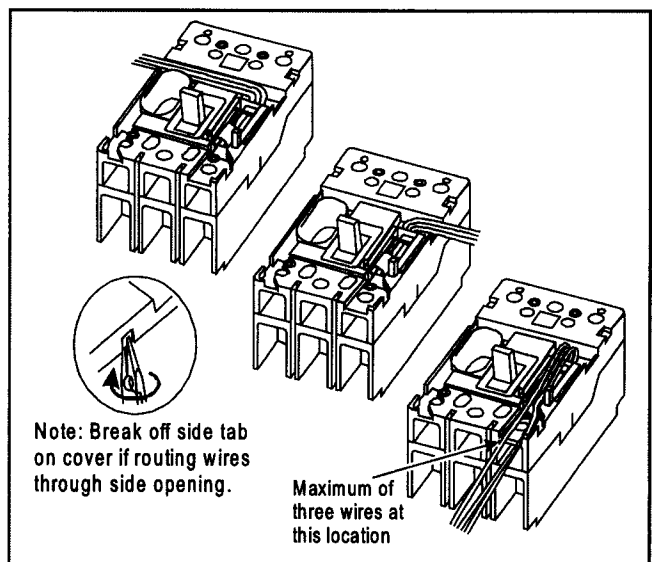


Figure 3-7 Wire routing options in H-Frame

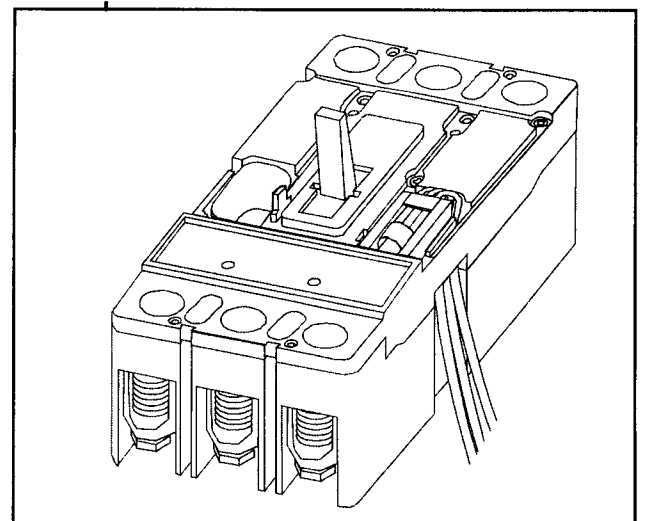


Figure 3-8 Wire routing in J-Frame



#### 4 Reinstall breaker cover.

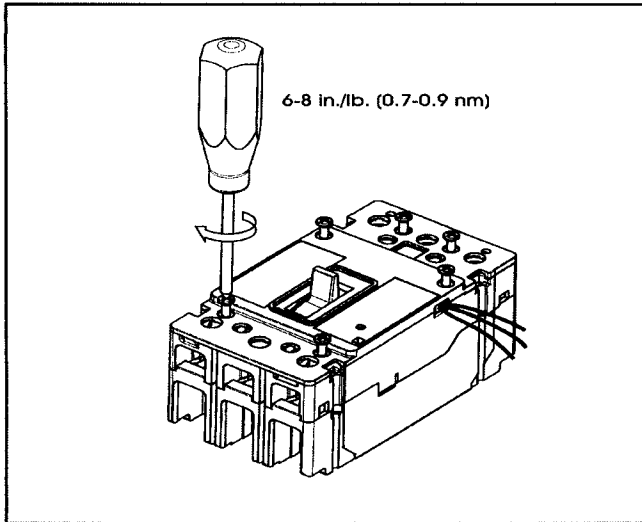


Figure 3-9 H-Frame cover installation

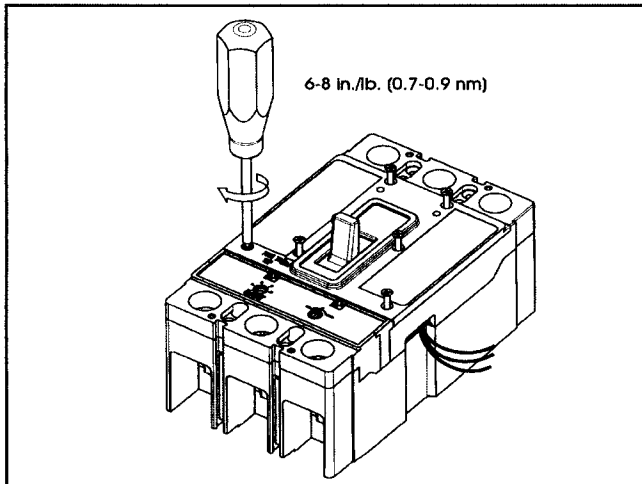


Figure 3-10 J-Frame cover installation

#### 5 Apply Labels.

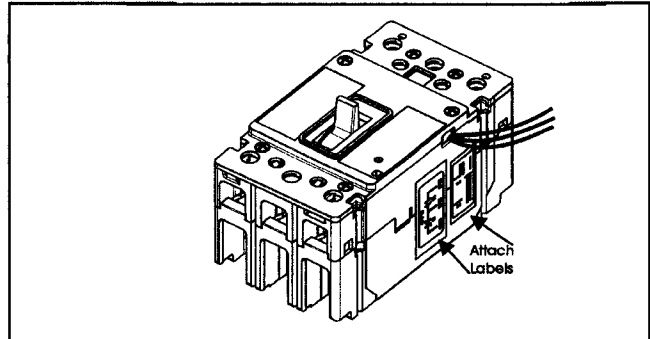


Figure 3-11 Accessory Identification and Circuit Diagram label application

### 4.0 TESTING

#### Testing the Auxiliary switch

Table 4-1 Continuity test of leads on Auxiliary Switch

Breaker Handle Position	Continuity Between Red & Black Leads	Continuity Between Blue & Black Leads
ON/CLOSED/I	Yes	No
OFF/OPEN/O	No	Yes
TRIP	No	Yes

#### Testing the Alarm Switch

Table 4-2 Continuity test of leads on Alarm Switch

Breaker Handle Position	Continuity Between Red & Black Leads	Continuity Between Blue & Black Leads
ON/CLOSED/I	Yes	No
OFF/OPEN/O	Yes	No
TRIP	No	Yes

### 5.0 REMOVAL

Removal is the reverse of the installation procedure. Remove switch by pulling straight up on pull tab (see Figure 5-1). Be sure to reinstall the sleeve removed in Section 3.0, step 1.

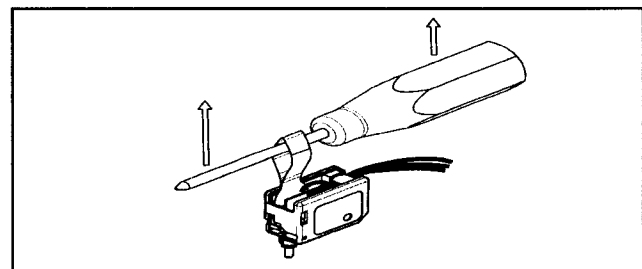


Figure 5-1 Accessory switch removal