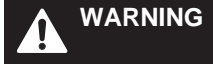




# Class R Fuse Kit Installation Instructions for Bulletin 1494H (Heavy Duty) Safety Switches

(Cat 1401-N70, -N71, -N72, -N73, -N74, -N76, -N77)

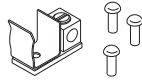


**WARNING**

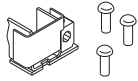
To prevent electrical shock, disconnect from power source before installing or servicing.

## 30A Class R Fuse Clip Kit

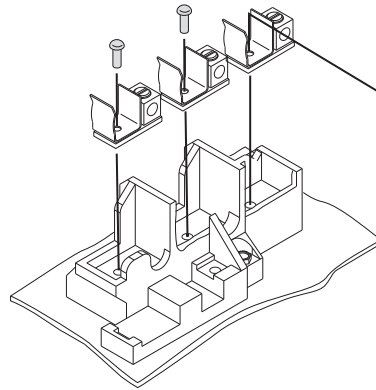
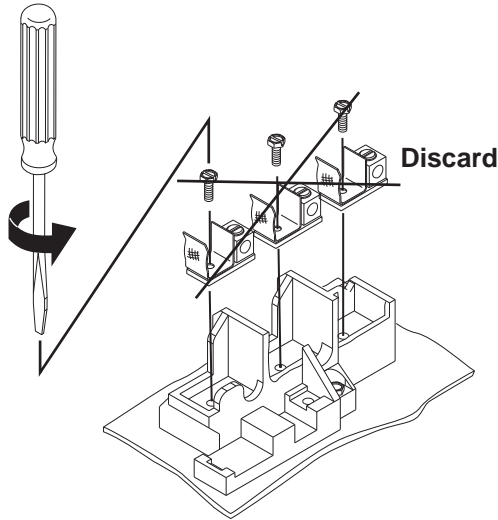
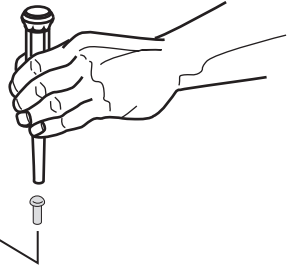
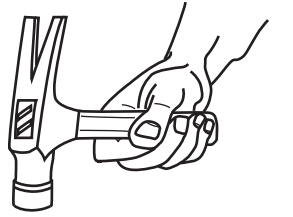
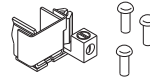
**1401-N70**  
30A - 250VAC  
Type 1, 3R, 12



**1401-N71**  
30A - 600VAC  
Type 1, 3R

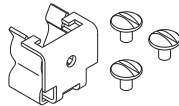


**1401-N72**  
30A - 600VAC  
Type 12

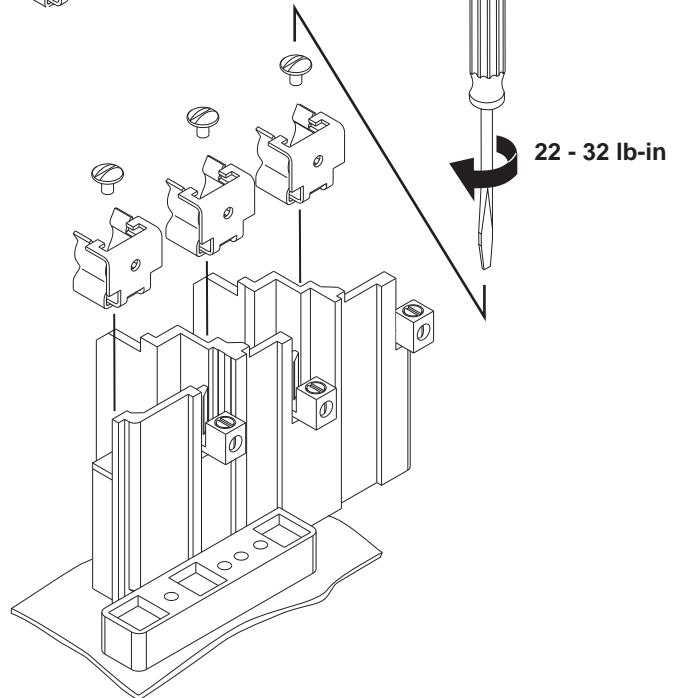
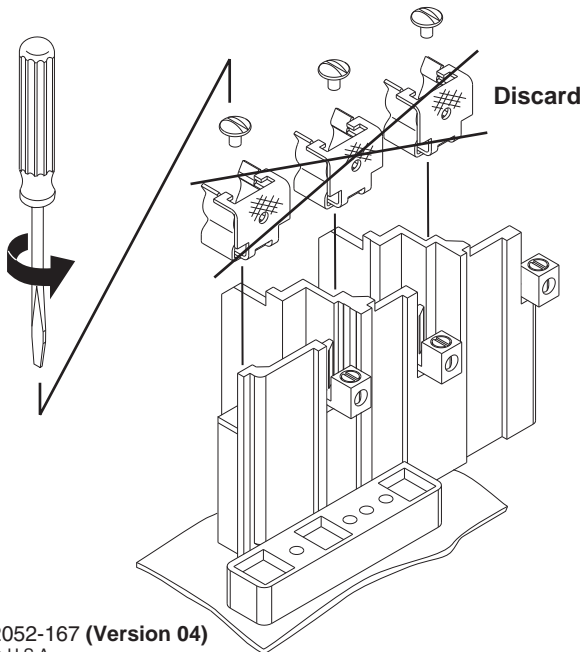
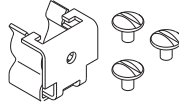


## 60A Class R Fuse Clip Kit

**1401-N73**  
60A - 250VAC  
Type 1, 3R, 12



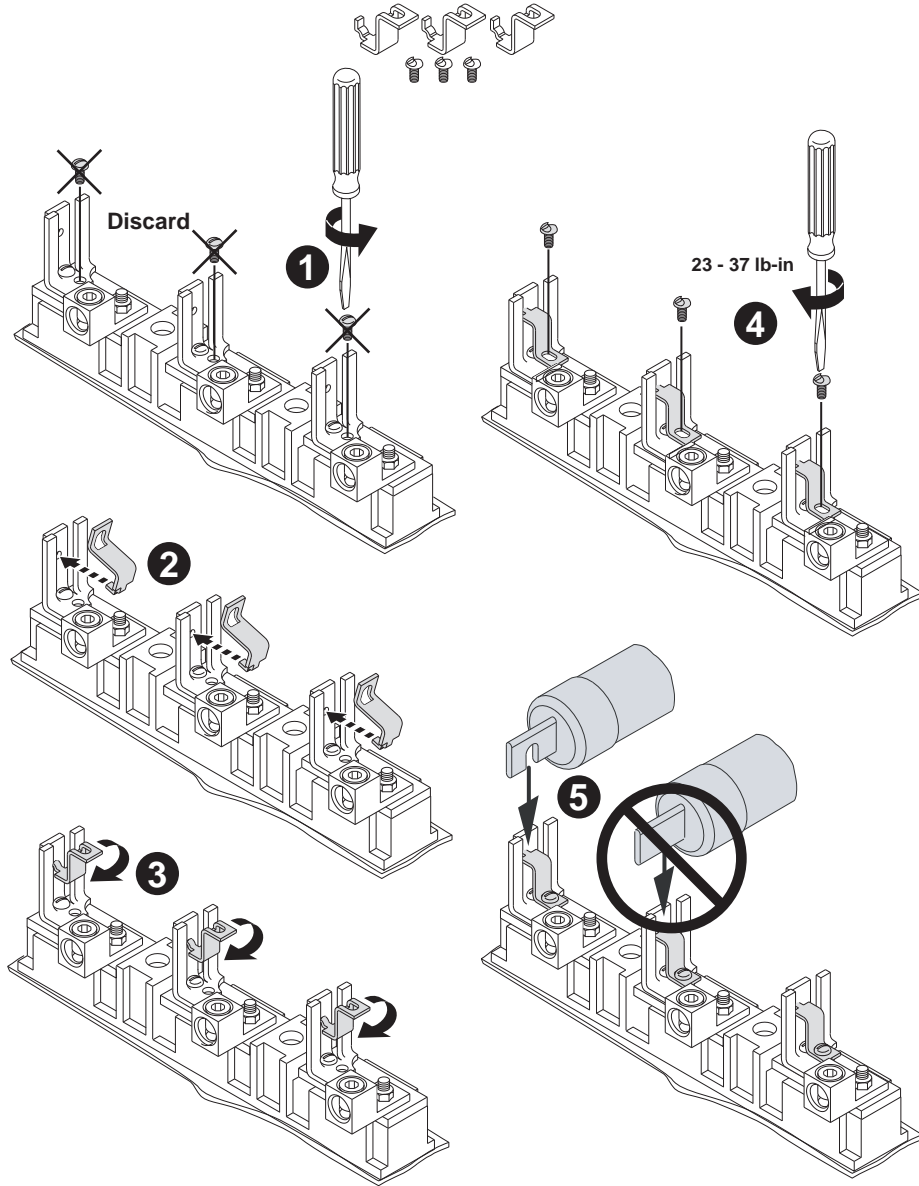
**1401-N74**  
60A - 600VAC  
Type 1, 3R, 12



100A Class R Fuse Clip Kit

1401-N76

100A - 250VAC / 600VAC  
Type 12



100A / 200A Class R Fuse Clip Kit

1401-N77

100A / 200A - 250VAC / 600VAC  
Type 1, 3R, 12

