

1370 Dynamic Braking Resistors

Catalog Numbers 1370

Dynamic Braking is an optional control function which facilitates motor stopping under fault conditions or in response to a Coast/DB Stop. Dynamic braking will not provide a holding brake function and is only effective when the motor is rotating.

The resistors are sized for an external inertia equal to two or three times the motor inertia and are suitable for three successive DB stops per hour from maximum speed.

A drive must be furnished with a normally closed M contactor pole in order to use dynamic braking.



ATTENTION: The National Electrical Code (NEC) and local codes outline provisions for safely installing electrical equipment. Installation must comply with specifications regarding wire types, conductor sizes, branch circuit protection and disconnect devices. Failure to do so may result in personal injury and/or equipment damage.



ATTENTION: Incorrectly applied or installed dynamic brakes can result in component damage or a reduction in product life. Wiring or application errors, such as improper wire sizing or excessive ambient temperatures may result in a malfunction of these devices.



ATTENTION: Open and lock-out the main supply disconnect and all other power source disconnects to avoid hazard of electrical shock or injury from unintended actuation of controlled equipment.

Installation

Using [Table 1](#), locate the appropriate dimension and connection diagrams.

Table 1 - Dynamic Braking Resistor Kits

Hp	Basic Catalog Number	Dimension Drawing	Connection Diagram	Total Watts	Total Resistance (Ohms)	Watts Per Resistor
240V DC Motor Armature Voltage						
1	1370-DBL61	1	A	325	36.0	325 x 1
1.5	1370-DBL62	1	A	420	2.0	420 x 1
2	1370-DBL63	1	A	420	2.0	420 x 1
3	1370-DBL64	1	A	420	15.0	420 x 1
5	1370-DBL65	1	A	420	8.6	420 x 1
7.5	1370-DBL66	1	A	345	6.0	345 x 1
10	1370-DBL67	1	A	330	5.0	330 x 1
15	1370-DBL68	1	A	385	3.5	385 x 1
20	1370-DBL69	1	A	345	2.6	345 x 1
25	1370-DBL70	1	A	330	2.0	330 x 1
30	1370-DBL71	1	A	330	2.0	330 x 1
40	1370-DBL72	2	B	560	1.4	280 x 2
50	1370-DBL73	2	B	730	1.0	365 x 2
60	1370-DBL74	2	B	730	1.0	365 x 2
75	1370-DBL75	3	C	990	0.67	330 x 3
100	1370-DBL76	3	C	870	0.47	290 x 3
500V DC Motor Armature Voltage						
2	1370-DBH63	1	A	255	81	255 x 1
3	1370-DBH64	1	A	245	62	245 x 1
5	1370-DBH65	1	A	245	45	245 x 1
7.5	1370-DBH66	1	A	350	27	350 x 1
10	1370-DBH67	1	A	420	20	420 x 1
15	1370-DBH68	1	A	405	12	405 x 1
20	1370-DBH69	2	B	660	10	330 x 2
25	1370-DBH70	2	B	660	9	330 x 2
30	1370-DBH71	2	B	770	7	305 x 2
40	1370-DBH72	2	B	690	5.2	345 x 2
50	1370-DBH73	2	B	660	4	345 x 2
60	1370-DBH74	2	B	660	4	345 x 2
75	1370-DBH75	3	D	810	3	270 x 3
100	1370-DBH76	3	D	840	2.1	250 x 3
125	1370-DBH77	3	D	840	2.1	250 x 3
150	1370-DBH78	3	D	1095	1.5	365 x 3
200	1370-DBH79	2	E	1680	1.5	280 x 6

Approximate Resistor Dimensions

Figure 1
Single Resistor

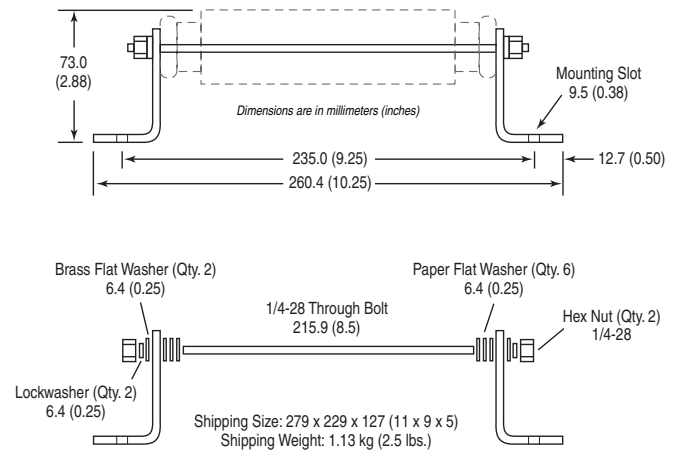


Figure 2
Two Resistors

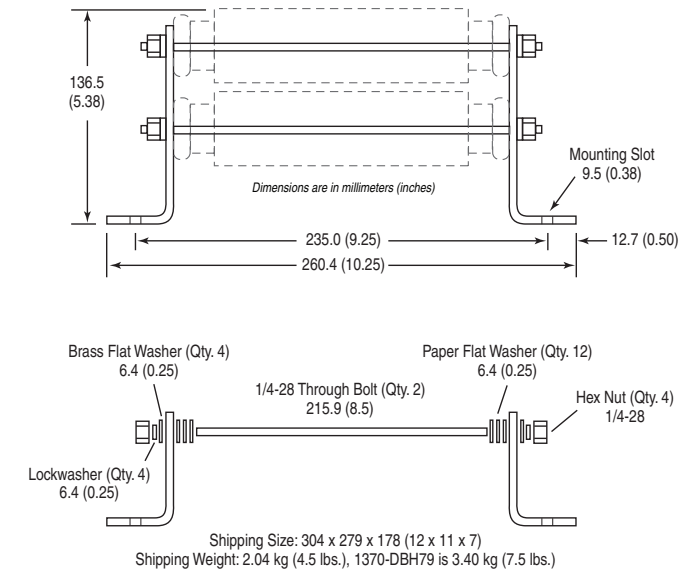
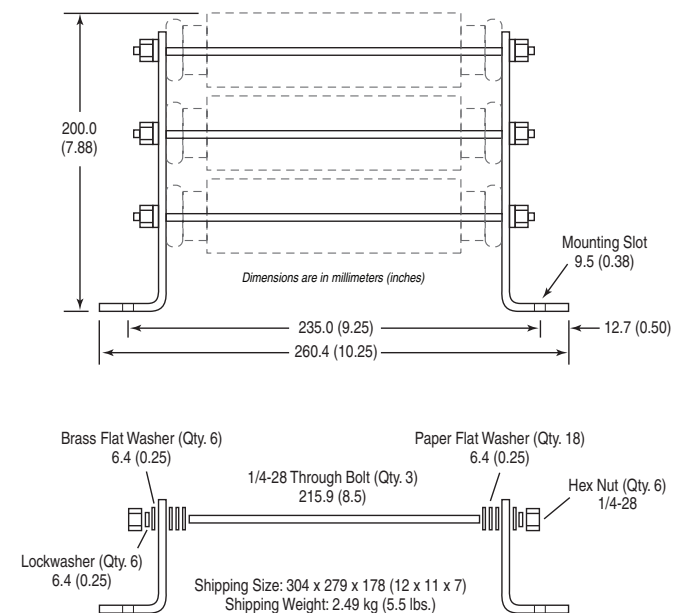
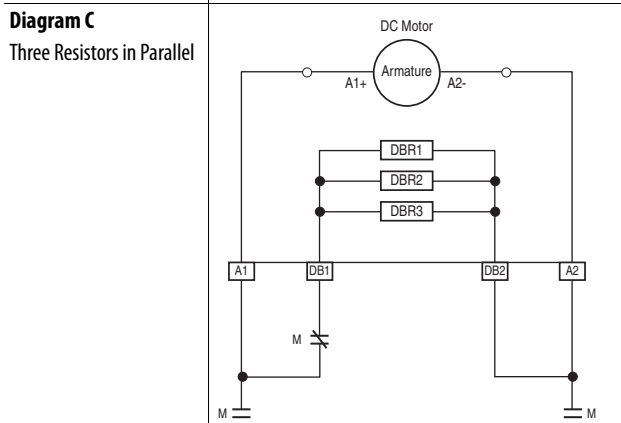
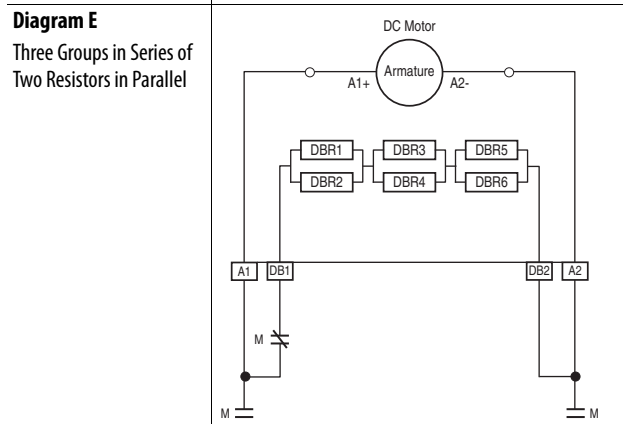
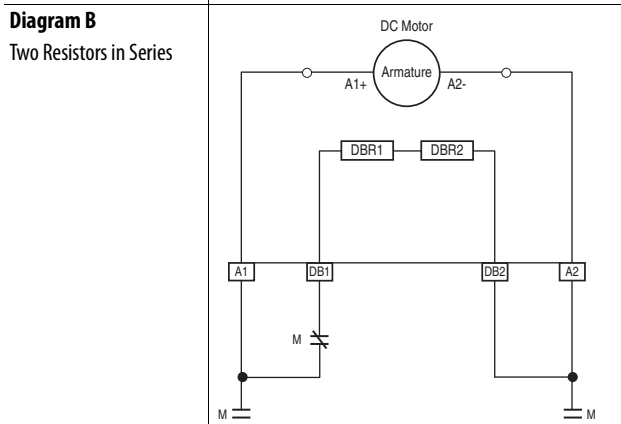
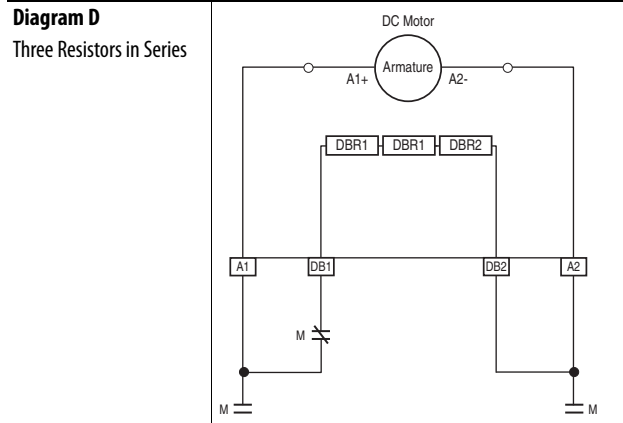
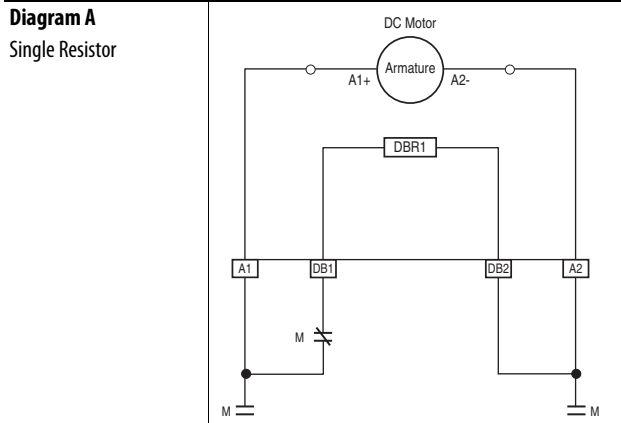


Figure 3
Three Resistors



DB Resistor Connection Diagrams



U.S. Allen-Bradley Drives Technical Support - Tel: (1) 262.512.8176, Fax: (1) 262.512.2222, E-mail: support@drives.ra.rockwell.com
 Online: www.ab.com/support/abdrives

Allen-Bradley, Rockwell Software, and Rockwell Automation are trademarks of Rockwell Automation, Inc.
 Trademarks not belonging to Rockwell Automation are property of their respective companies.

www.rockwellautomation.com

Power, Control and Information Solutions Headquarters

Americas: Rockwell Automation, 1201 South Second Street, Milwaukee, WI 53204-2496 USA, Tel: (1) 414.382.2000, Fax: (1) 414.382.4444
 Europe/Middle East/Africa: Rockwell Automation NV, Pegasus Park, De Kleetlaan 12a, 1831 Diegem, Belgium, Tel: (32) 2 663 0600, Fax: (32) 2 663 0640
 Asia Pacific: Rockwell Automation, Level 14, Core F, Cyberport 3, 100 Cyberport Road, Hong Kong, Tel: (852) 2887 4788, Fax: (852) 2508 1846