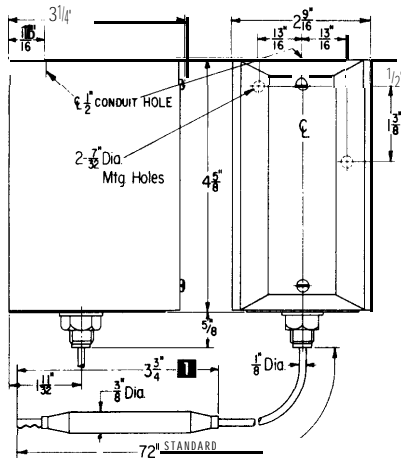


TEMPERATURE CONTROLS

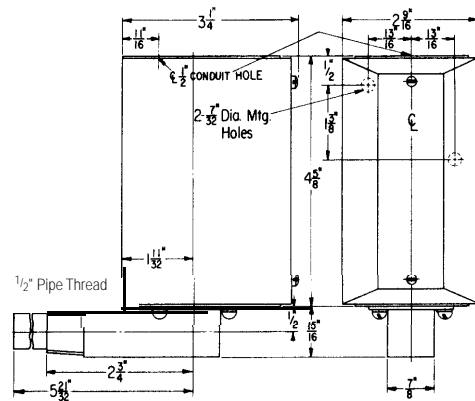
NEMA TYPE 1

Bulb and Capillary Type

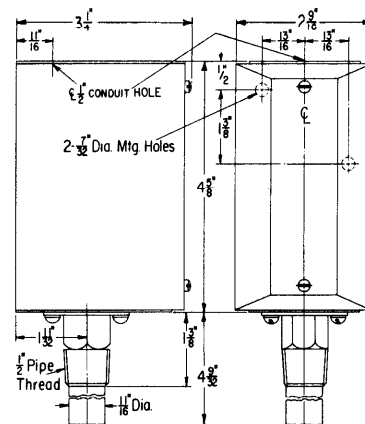


(Single Unit)

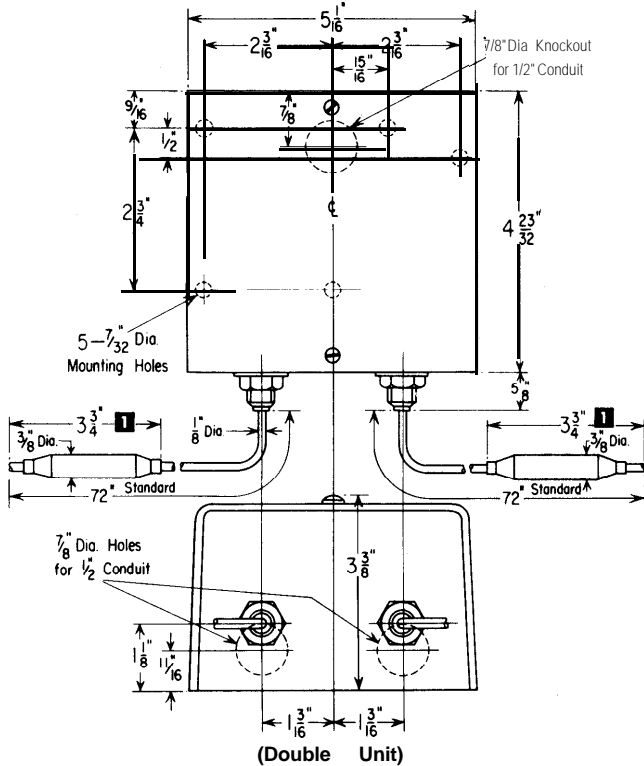
Horizontal Immersion Type



Vertical Immersion Type



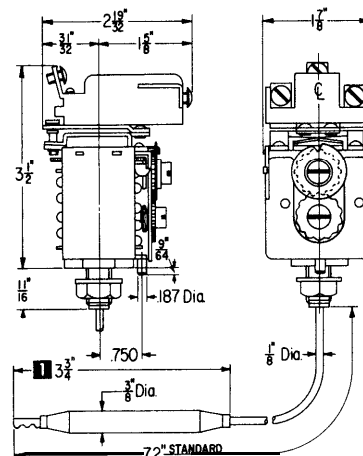
Bulb and Capillary Type



(Double Unit)

OPEN TYPE

Bulb and Capillary Type

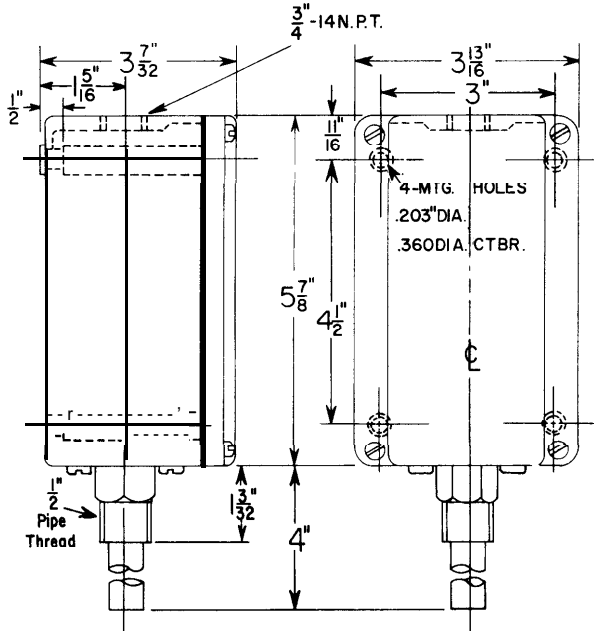


Any two Bulletin 837 bulb and capillary type temperature controls may be mounted in this enclosure. Also, a Bulletin 837 bulb and capillary type temperature control can be combined in the same enclosure with a Bulletin 836 Style A pressure control.

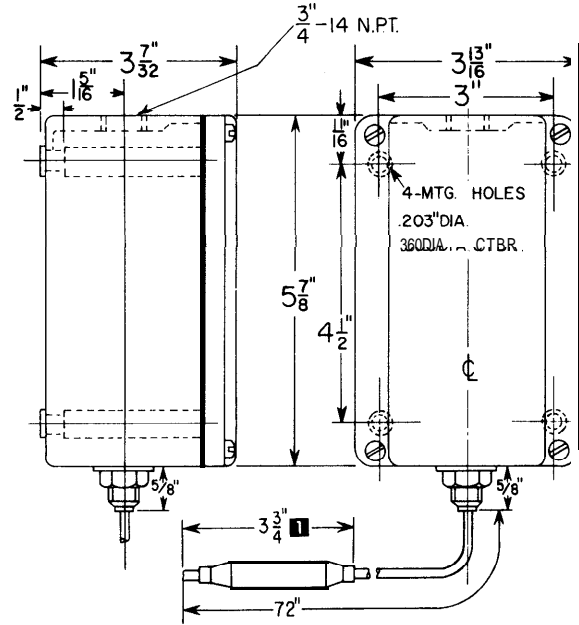
I Standard bulb length is 3 3/4". Controls with Catalog Numbers 837-A3, 837-A3A, 837-A4 and 837-A4A are cross ambient and are supplied with 8 1/2" long bulbs.

NEMA TYPE 4 & 13

Vertical Immersion Type

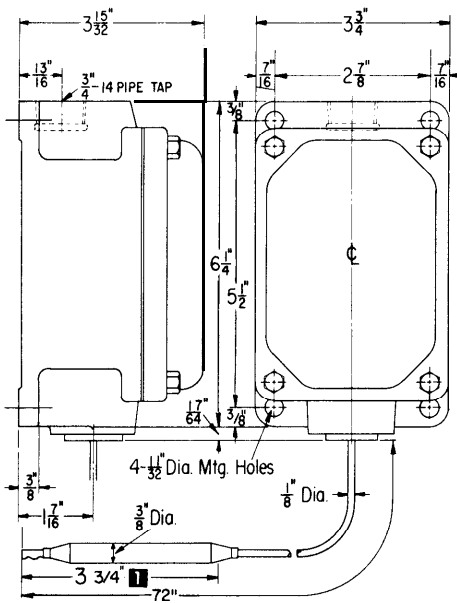


Bulb and Capillary Type

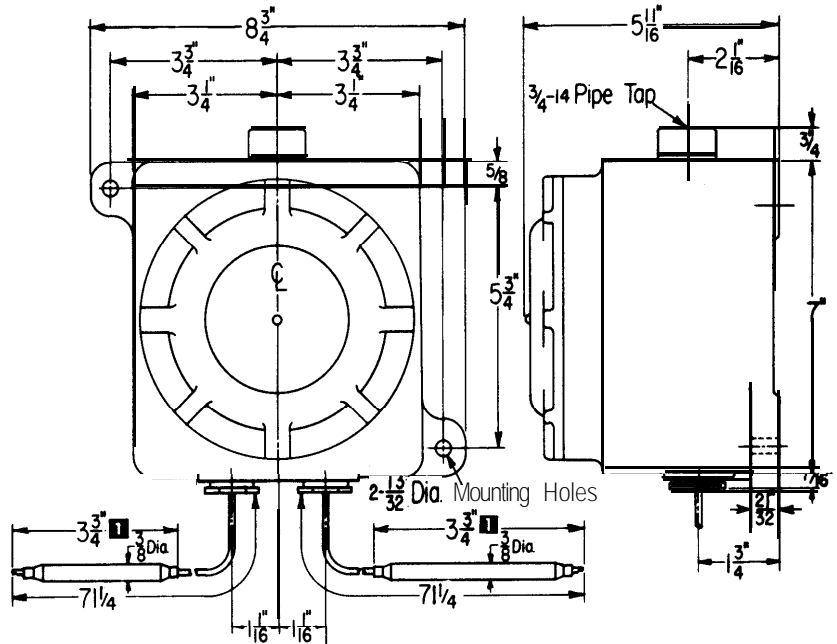


NEMA TYPE 4, 7 & 9

Bulb and Capillary Type



(Single Unit)



(Double Unit)

1 Standard bulb length is $3\frac{3}{4}$ ". Controls with Catalog Numbers 837-A3C, 837-A3E, 837-A3J, 837-A4C, 837-A4E and 837-A4J are cross ambient and are supplied with $8\frac{1}{2}$ " long bulbs.

Any two Bulletin 837 bulb and capillary type temperature controls may be mounted in this enclosure. Also, a Bulletin 837 bulb and capillary type temperature control can be combined in the same enclosure with a Bulletin 836 Style A pressure control.