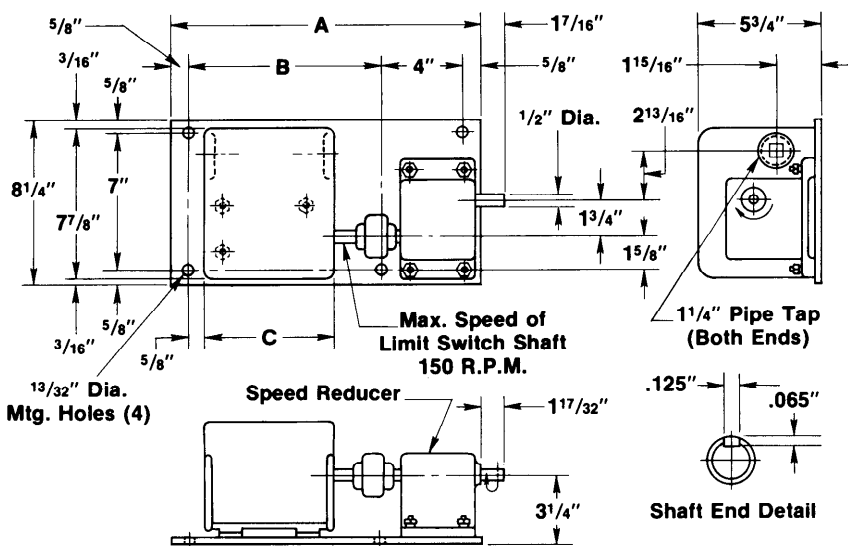


ROTATING CAM LIMIT SWITCHES

Style A & B • With Speed Reducer

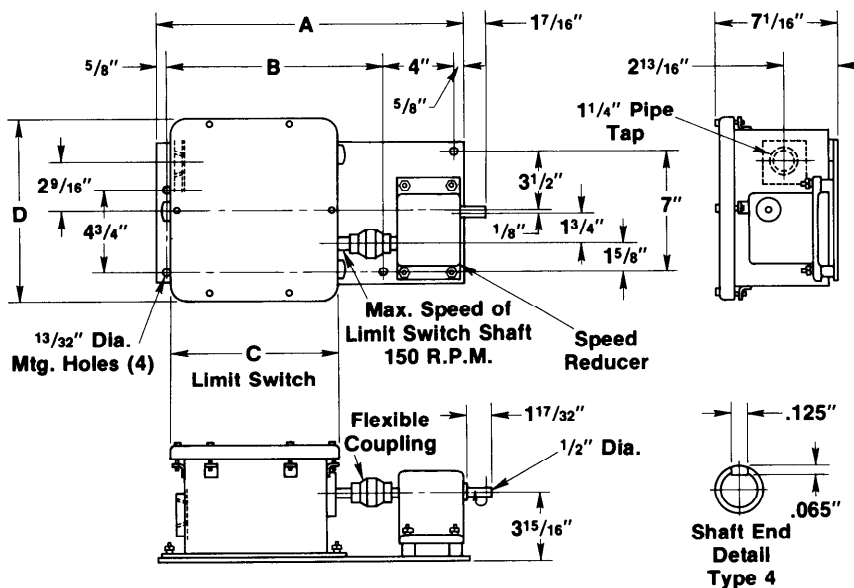
NEMA Type 1



Catalog Number ¹		No. of Circuits	Dimensions in Inches		
Style A	Style B		A	B	C
803-A2 A3	803-B2 B3	2 3	15 ⁷ / ₁₆	10 ⁹ / ₁₆	6 ⁵ / ₈
803-A4	803-B4	4	16 ³ / ₄	11 ¹ / ₂	7 ¹⁵ / ₁₆
803-A5 A6	803-B5 B6	5 6	19 ³ / ₈	14 ¹ / ₈	10 ⁹ / ₁₆
803-A7 A8 A9	803-B7 B8 B9	7 8 9	23 ⁵ / ₁₆	18 ⁷ / ₁₆	14 ¹ / ₂
803-A10 A11 A12	803-B10 B11 B12	10 11 12	27 ¹ / ₄	22	18 ⁷ / ₁₆

¹ To indicate gear ratio, add the following letters to the Catalog number: 20:1—R; 40:1—RA; 60:1—RB; 80:1—RC; 100:1—RD; 120:1—RE and 150:1—RF. Example: Catalog No. 803-A4RA. For other reductions, add the letters RY and give desired ratio. Example: Catalog No. 803-B6RY (12:1).

NEMA Type 4 & 13 • NEMA Type 9



Type Number ² ³		No. of Circuits	Dimensions in Inches		
NEMA Type 4 & 13	NEMA Type 9		A	B	C
803-A24 A34	803-A29 A39	2 3	17 ¹⁵ / ₁₆	12 ¹¹ / ₁₆	9 ⁷ / ₈
803-A44	803-A49	4	19 ¹ / ₄	14	11 ³ / ₁₆
803-A54 A64	803-A59 A69	5 6	21 ⁷ / ₈	16 ⁵ / ₈	13 ³ / ₁₆
803-A74 A84 A94	803-A79 A89 A99	7 8 9	25 ³ / ₁₆	20 ⁹ / ₁₆	17 ³ / ₄
803-A104 A114 A124	803-A109 A119 A129	10 11 12	29 ³ / ₄	24 ¹ / ₂	21 ¹¹ / ₁₆
Enclosure			Dimensions in Inches		
NEMA Type 4 & 13			10 ³ / ₄		
NEMA Type 9			11 ¹ / ₈		

² To indicate the gear ratio, add the following letters to the catalog number: 20:1—R; 40:1—RA; 60:1—RB; 80:1—RC; 100:1—RD; 120:1—RE and 150:1—RF. Example: Catalog No. 803-A64RA. For other reductions, add the letters RY and give the desired ratio. Example: Catalog No. 803B49RY (87:1).

³ For Style B dimensions, substitute a "B" for the "A" in the listed catalog number.

ALLEN-BRADLEY
A ROCKWELL INTERNATIONAL COMPANY

Industrial Control Group
Milwaukee, Wisconsin 53204

Publication 803-4.1 — March, 1981
Supersedes Dimension Drawing 803-D2 Dated October, 1967