

# Distribution Boxes, AC Micro Style

4-, 6-, and 8-Port, Parallel Wired

## AC Micro Style



4-Port AC Micro

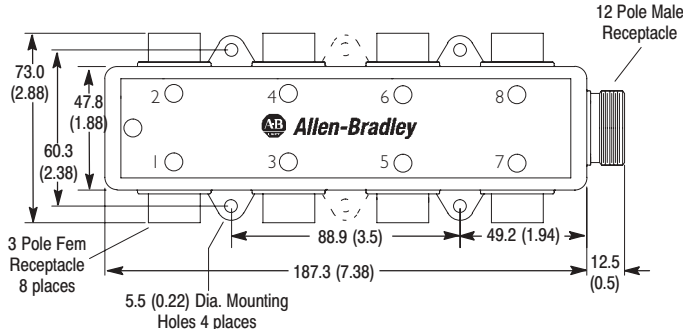
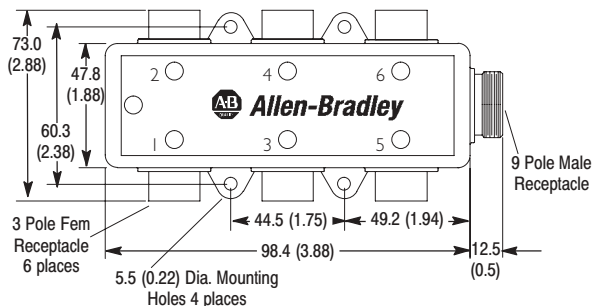
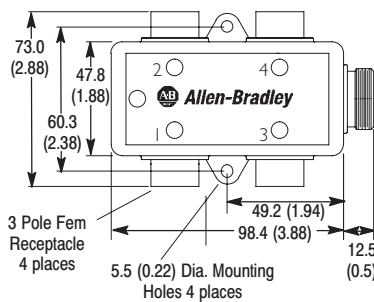
### Specifications

<b>Certifications</b>	UL recognized and CSA certified
<b>Mechanical</b>	
<b>Material</b>	Yellow PET
<b>Connector Insert</b>	PVC
<b>Receptacle Shell Material</b>	Anodized aluminum with clear sealant
<b>Contacts</b>	Gold-plated palladium/nickel
<b>Environmental</b>	
<b>Enclosure Type Rating</b>	IP 67; NEMA 6P
<b>Operating Temperature—C (F)</b>	-30...+105° (-22...+221°)

### Features

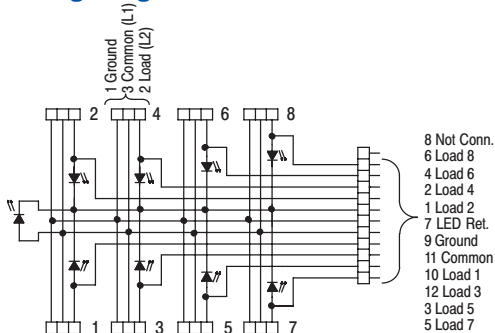
- 4 parallel wired 3-pin AC micro connectors
- Highly visible yellow PET body offers good chemical and oil resistance

### Dimensions—mm (in)



Dimensions are approximate. Illustrations are not drawn to scale.

### Wiring Diagrams




Note: 8-port LED version.

### Mating Components & Accessories

Description	Cat. No.	Page
Device patchcord	889R-F3AERM*	3-85
Main Cordset	889N-F3AF*	3-35, 3-37
Field attachable connectors	871A-TS3-RM	3-97
Sealing caps	889A-RMCAP	3-143

### Pinout and Wiring Arrangement

	Main Connection					
	4 Port		6 Port		8 Port	
	A	B	C	D	E	F
<b>Wiring Arrangement</b>	<b>A</b>	<b>B</b>	<b>C</b>	<b>D</b>	<b>E</b>	<b>F</b>
<b>Ports (3-pin AC Micro Female)</b>	<b>6-Pin Mini Male</b>	<b>7-Pin Mini Male</b>	<b>8-Pin Mini Male</b>	<b>9-Pin Mini Male</b>	<b>10-Pin Mini Male</b>	<b>12-Pin Mini Male</b>
LED Return		Pin 1		Pin 4		Pin 7
All Ports Pin 3 (L1)	Pin 1	Pin 3	Pin 5	Pin 5	Pin 10	Pin 11
All Ports Pin 1 (GND)	Pin 3	Pin 7	Pin 7	Pin 7	Pin 8	Pin 9
Port 1 Pin 2 (L2)	Pin 2	Pin 4	Pin 6	Pin 6	Pin 7	Pin 10
Port 2 Pin 2 (L2)	Pin 4	Pin 5	Pin 1	Pin 1	Pin 1	Pin 1
Port 3 Pin 2 (L2)	Pin 5	Pin 2	Pin 4	Pin 9	Pin 9	Pin 12
Port 4 Pin 2 (L2)	Pin 6	Pin 6	Pin 2	Pin 2	Pin 2	Pin 2
Port 5 Pin 2 (L2)	—	—	Pin 3	Pin 8	Pin 3	Pin 3
Port 6 Pin 2 (L2)	—	—	Pin 8	Pin 3	Pin 4	Pin 4
Port 7 Pin 2 (L2)	—	—	—	—	Pin 5	Pin 5
Port 8 Pin 2 (L2)	—	—	—	—	Pin 6	Pin 6
No Connection	—	—	—	—	—	Pin 8

### Product Selection

#### 3-Pin Distribution Boxes

Ports	Illuminated	Assembly Rating	Wiring Arrangement	Cat. No.
4 Port	No LED	300V, 3 A	A	<b>898R-34PS-N6</b>
	LED	120V, 3 A	B	<b>898R-L34PS-N7</b>
6 Port	No LED	300V, 3 A	C	<b>898R-36PS-N8</b>
	LED	120V, 3 A	D	<b>898R-L36PS-N9</b>
8 Port	No LED	300V, 3 A	E	<b>898R-38PS-N10</b>
	LED	120V, 3 A	F	<b>898R-L38PS-N12</b>
Device Patchcords (Straight to Straight)				<b>889R-F3EARM-*</b>
Main Cordset (Straight to Conductor)				<b>889N-F‡AF-*</b>

\* Replace symbol with 2 (2 m (6.5 ft)), 5 (5 m (16.4 ft)), or 10 (10 m (32.8 ft)) for standard cable lengths.

‡ Replace symbol with the number of pins in the main connection.